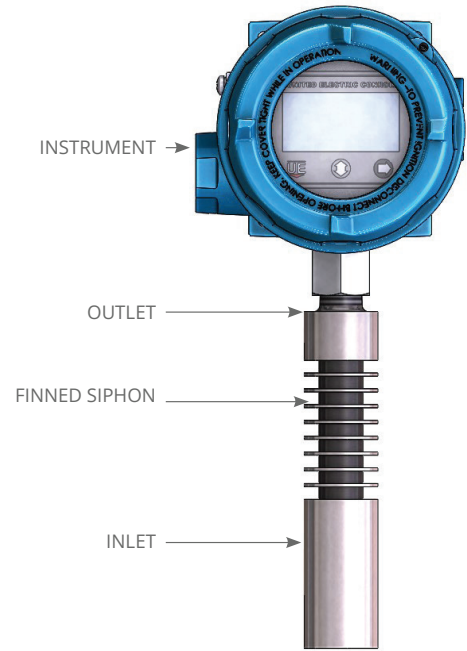
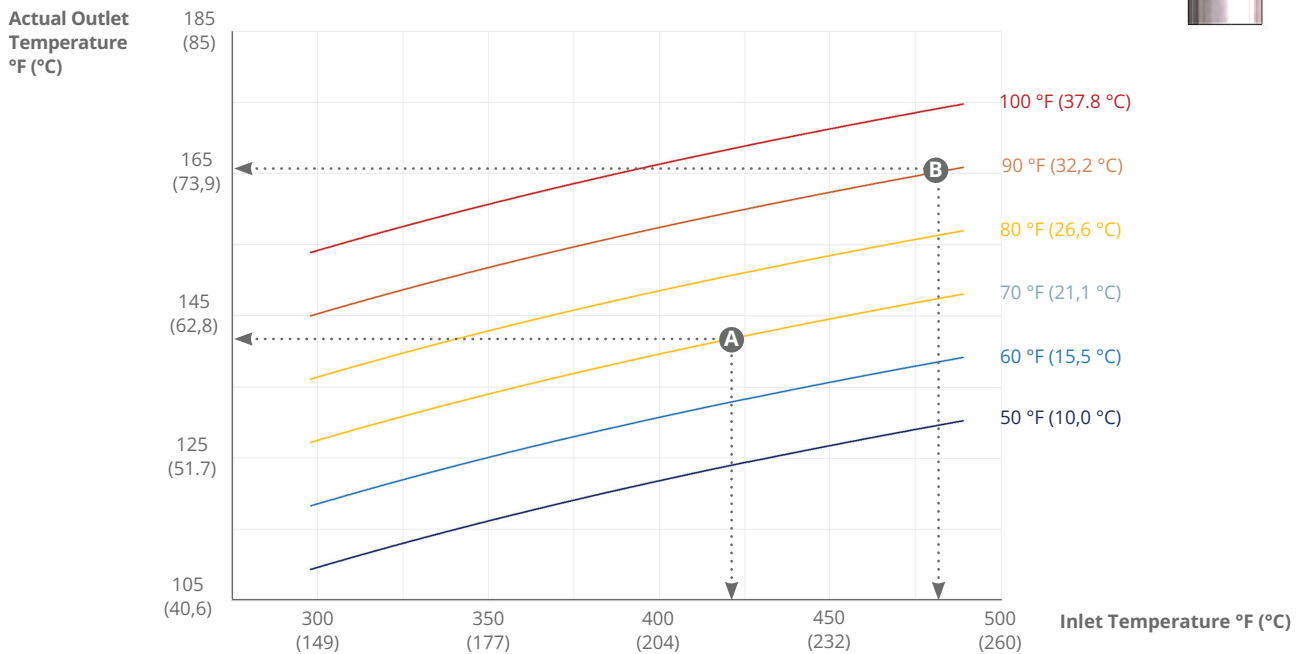


Instrument Siphon

- Designed to isolate process temperature from instrument
- Expected output temperature should be less than the maximum allowable ambient temperature of instrument
- Select materials suitable for process fluid or gas



Finned Siphon Heat Loss Chart (Stainless Steel)

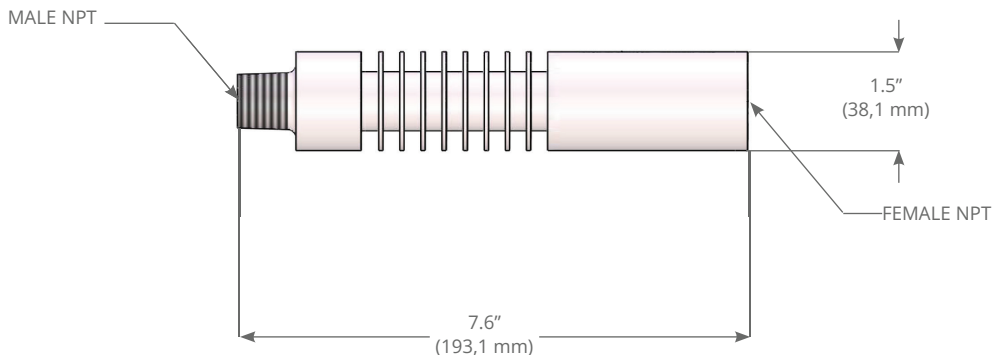


A An inlet Temp = 422 °F (216 °C) at an ambient temperature of 70 °F (21.1 °C), the outlet temperature of the siphon is 142 °F (61 °C)

B An inlet Temp = 480 °F (249 °C) at an ambient temperature of 90 °F (32.2 °C), the outlet temperature of the siphon is 166 °F (74 °C)

Examples are based on air movement through the gauge siphon fins, results will vary based on environment and air flow.

Dimensions



Ordering Information

Accessories	NPT Size	Construction Material	Max. Pressure
62158-92	1/4"	316/316L SS	3000 PSIG @700 °F
62158-93	1/2"	316/316L SS	3000 PSIG @700 °F
62158-94	1/2"	MONEL™ 400	2400 PSIG @700 °F
62158-95	1/2"	HASTELLOY™ C276	4500 PSIG @700 °F

LIMITED WARRANTY

Seller warrants that the product hereby purchased is, upon delivery, free from defects in material and workmanship and that any such product which is found to be defective in such workmanship or material will be repaired or replaced by Seller (Ex-works, Factory, Watertown, Massachusetts, INCOTERMS); provided, however, that this warranty applies only to equipment found to be so defective within a period of 36 months from the date of manufacture by the Seller. Seller shall not be obligated under this warranty for alleged defects which examination discloses are due to tampering, misuse, neglect, improper storage, and in any case where products are disassembled by anyone other than authorized Seller's representatives. EXCEPT FOR THE LIMITED WARRANTY OF REPAIR AND REPLACEMENT STATED ABOVE, SELLER DISCLAIMS ALL WARRANTIES WHATSOEVER WITH RESPECT TO THE PRODUCT, INCLUDING ALL IMPLIED WARRANTIES OF MERCHANTABILITY OR FITNESS FOR ANY PARTICULAR PURPOSE.

LIMITATION OF SELLER'S LIABILITY

SELLER'S LIABILITY TO BUYER FOR ANY LOSS OR CLAIM, INCLUDING LIABILITY INCURRED IN CONNECTION WITH (I) BREACH OF ANY WARRANTY WHATSOEVER, EXPRESSED OR IMPLIED, (II) A BREACH OF CONTRACT, (III) A NEGLIGENT ACT OR ACTS (OR NEGLIGENT FAILURE TO ACT) COMMITTED BY SELLER, OR (IV) AN ACT FOR WHICH STRICT LIABILITY WILL BE INPUTTED TO SELLER, IS LIMITED TO THE "LIMITED WARRANTY" OF REPAIR AND/OR REPLACEMENT AS SO STATED IN OUR WARRANTY OF PRODUCT. IN NO EVENT SHALL THE SELLER BE LIABLE FOR ANY SPECIAL, INDIRECT, CONSEQUENTIAL OR OTHER DAMAGES OF A LIKE GENERAL NATURE, INCLUDING, WITHOUT LIMITATION, LOSS OF PROFITS OR PRODUCTION, OR LOSS OR EXPENSES OF ANY NATURE INCURRED BY THE BUYER OR ANY THIRD PARTY.

UE specifications subject to change without notice.

UE is a registered trademark of United Electric Controls Company.

The following trademarks are property of the respective companies:

- | | |
|----------------|----------------------------|
| Aflas | Asahi Glass Co., LTD |
| Kapton, Kalrez | Du Pont De Nemours, Inc. |
| Monel | Huntington Alloys Corp. |
| Hastelloy | Haynes International, Inc. |
| NACE | AMPP Global Center, Inc. |
| Teflon, Viton | The Chemours Co. |



180 Dexter Avenue
 Watertown, MA 02472 - USA
 Telephone: 617 926-1000 - Fax: 617 926-2568
 www.ueonline.com

FOR A LIST OF OUR INTERNATIONAL AND
 DOMESTIC REGIONAL SALES OFFICES
 PLEASE VISIT OUR WEBPAGE
 WWW.UEONLINE.COM