



RTD

Heat Trace

United Electric Controls is
ISO 9001:2015 certified



AST-RTDHT 01

HEAT TRACING RTD SENSORS WITH FIXED (NON-REPLACEABLE) ELEMENTS

How to build a part number:

Select the requirements for the categories listed below and fill in the corresponding boxes with your selection. Consult UE-AST for custom solutions.

STYLE

ASSEMBLY STYLE

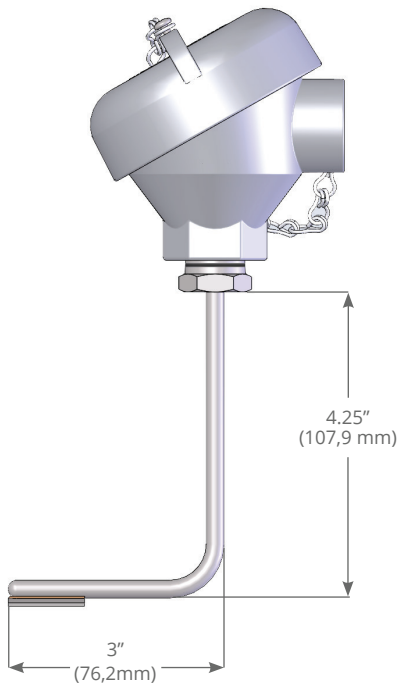
T1441 – Heat trace RTD with fixed, non-replaceable element; cast aluminum head with ceramic terminal block and 1/2" NPT conduit connection; head conforms to NEMA 4 requirements; sheath is stainless steel with 90° bend, 0.250" O.D. with pad for mounting to pipe.

T1441X - Similar to T1441, except explosion-proof terminal head, approved for Class 1, Div. 1, Groups C & D.

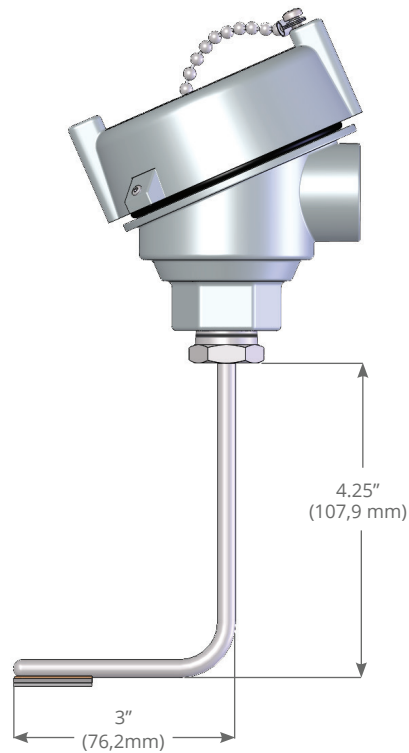
NOTE: Assemblies using XP heads are not 3rd party certified. Approval applies to head only.

NOTES:

- **TEMPERATURE RANGE** – minimum and maximum operating temperatures -18 to 371 °C (0 to 700 °F)
- **SHEATH LENGTH** – 4-1/4" length from pipe to fitting standard (consult AST for additional lengths)
- **ELEMENT** – 3-wire, platinum RTD, Class B, 100 ohms at 0 °C (±0.12%); DIN 0.00385



T1441



T1441X

HEAT TRACING RTD SENSORS WITH REPLACEABLE ELEMENTS

How to build a part number:

Select the requirements for the categories listed below and fill in the corresponding boxes with your selection. Consult UE-AST for custom solutions.

STYLE	TRANSFER PAD
-------	--------------

ASSEMBLY STYLE

T1804 - Heat trace RTD with replaceable element; cast aluminum head with ceramic terminal block and 1/2" NPT conduit connection; head conforms to NEMA 4 requirements; sheath is stainless steel with 90° bend, 0.375" O.D. with pad for mounting to pipe.

T1804X - Similar to T1804, except explosion-proof terminal head, approved for Class 1, Div. 1, Groups C & D.

NOTE: Assemblies using XP heads are not 3rd party certified. Approval applies to head only.

T1844 - Similar to T1804, except terminal head is polycarbonate; conforms to NEMA 4X requirements; 6 knock-outs for wiring.

T1855 - Similar to T1804, except dual three-wire RTD elements; cast iron head with epoxy coating conforms to NEMA 4X requirements.

NOTES:

- **TEMPERATURE RANGE** - minimum and maximum operating temperatures -45 to 482 °C (-50 to 900 °F)
- **SHEATH LENGTH** - 5-3/4" from pipe to fitting standard (consult AST for additional lengths)
- **ELEMENT** - 3-wire, platinum RTD, Class B, 100 ohms at 0 °C (±0.12%); DIN 0.00385

REPLACEMENT RTD SUBASSEMBLIES:

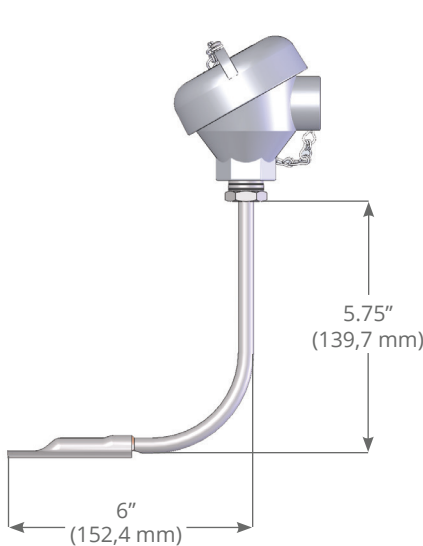
T1805 - for T1804 and T1844 (single element)

T1805D - for T1855 (dual element)

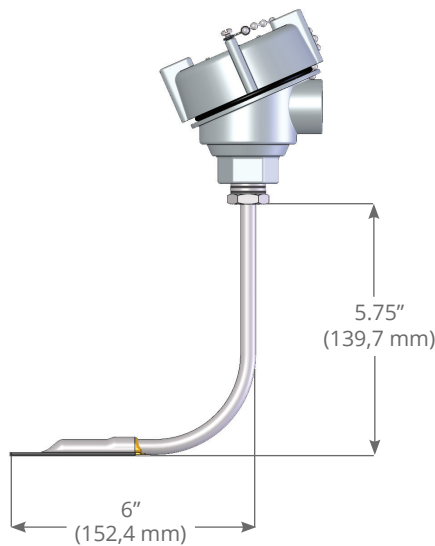
T2588 - for T1804X (single element)

HEAT TRANSFER PAD CURVE (to fit nominal pipe size)

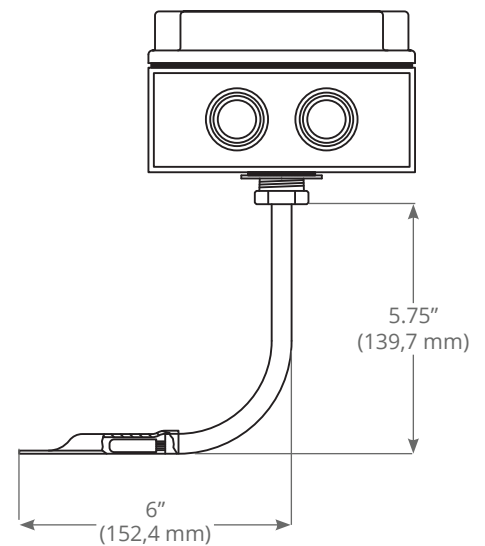
F - Flat pad	20 - 2"
5 - 0.50"	30 - 3"
7 - 0.75"	40 - 4"
10 - 1"	60 - 6"
15 - 1.5"	80 - 8"



T1804/T1855



T1804X



T1844

NOTE: Many non-standard options, including additional sheath diameters and materials, may also be available - consult AST for specific requirements.

TERMS AND CONDITIONS OF SALE



UE is a registered trademark of United Electric Controls Company.

UE specifications subject to change without notice.



UNITED ELECTRIC
CONTROLS

180 Dexter Avenue
Watertown, MA 02472 - USA
Telephone: 617 926-1000 - Fax: 617 926-2568
www.ueonline.com

FOR A LIST OF OUR INTERNATIONAL AND
DOMESTIC REGIONAL SALES OFFICES PLEASE
VISIT OUR WEBPAGE
WWW.UEONLINE.COM