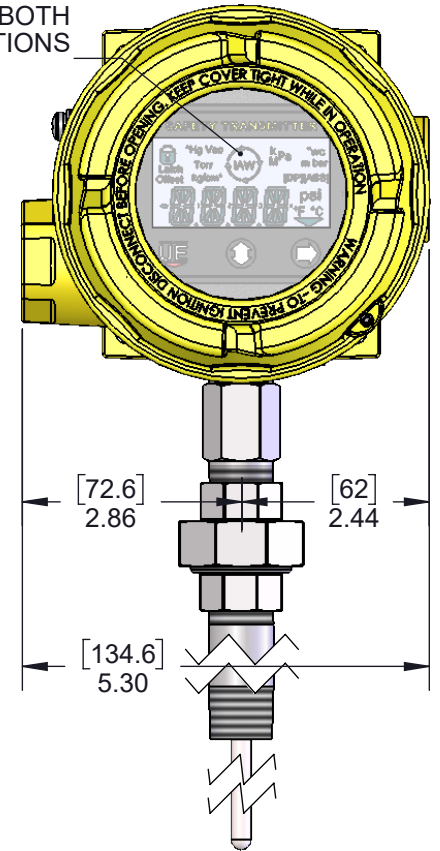


DISPLAY CAN BE ROTATED UP TO 180° BOTH DIRECTIONS



SPECIFICATIONS:

(SPECIFICATIONS AT 25°C (77°F) AND NOMINAL VOLTAGE UNLESS OTHERWISE NOTED).

MECHANICAL:

WETTED MATERIALS: 316 STAINLESS STEEL
ENCLOSURE: TYPE 360 ALUMINUM; EPOXY POWDER COATED

SPECIFICATIONS (CONT'D):

ELECTRICAL:

ELECTRICAL CONNECTIONS:

POWER INPUT: 3 POSITION TERMINAL BLOCK, 22-14 AWG WIRE, 4-20mA ANALOG INPUT POWERED (20-40 VDC) OR DIRECT CONNECTION TO 24 VDC (REFERENCE I&M FOR ALLOWABLE POWER SUPPLY AND LOAD LIMITS)

SAFETY RELAY OUTPUT (SWITCH OUTPUT):
4-POSITION TERMINAL BLOCK, 14 - 20 AWG WIRE
0* - 130 VDC, 2.5A (GENERAL PURPOSE), Q150** MAX. (PILOT DUTY)

* 10 VDC, 5mA MIN. WITH RELAY MONITOR FEATURE ENABLED
** DE-RATE 1% PER °C ABOVE 25°C

IAW OUTPUT AND SWITCH STATUS OUTPUT:
4-POSITION TERMINAL BLOCK, 14 - 26 AWG WIRE
30VDC @20mA MAX.

316 STAINLESS STEEL SHEATH

MODEL TTC	TEMPERATURE RANGE	EXTENSION LENGTH	
		INCHES	[cm]
N-U-N LENGTH	-40 TO 900°F / -40 TO 482°C	4"-10" IN 1 INCH INCREMENTS	[10.1-25.4]
SHEATH LENGTH	-40 TO 900°F / -40 TO 482°C	UP TO 36" MAX	[91.4] MAX

THIS DOCUMENT IS PROPRIETARY PROPERTY OF UNITED ELECTRIC CONTROLS. UNAUTHORIZED USE IS STRICTLY PROHIBITED.

ORIGINAL APPROVALS	DATE
DRAWN BY: R. MCCAREY	5/24/2017
CHECKED BY: SR	5/24/2017
APPROVED BY: R. MCCAREY	5/24/2017

UE UNITED ELECTRIC CONTROLS
LEADERS IN SAFETY, ALARM & SHUTDOWN

180 Dexter Avenue
Watertown, MA. 02472
617-926-1000
www.ueonline.com

REV	ECN#	DESCRIPTION	DATE	DRWN	APPD
E	E7532	UPDATED EXTENSION LENGTHS AND WIRING SCHEME VIEWS.	8/22/2024	KLF	RCI
D	E6829	REDRAWN. CHANGED VIEW OF UNION FROM 6213-290 TO 6286-320.	3-9-2021	SR	SL
C	E6403	UPDATED TB2, SAFETY RELAY OUTPUT TERMINAL BLOCK LABELS: "VDC" REPLACED "NEUTRAL 1" & "NEUTRAL 2"; "SRO" REPLACED "SRO" & "LINE" (SHEET 2)	12-13-18	SR	RAM
B	E6315	REDRAWN. CHANGED TWO 2-POSITION TERMINAL BLOCKS FOR THE SWITCH STATUS AND IAW OUTPUTS TO ONE 4-POSITION TERMINAL BLOCK. CHANGED AWG RATING FROM 16-26 TO 14-26.	8/3/18	SR	JCG

REVISION HISTORY

THIRD ANGLE PROJECTION

UNLESS OTHERWISE SPECIFIED DIMENSIONS & TOLERANCES ARE IN INCHES (MM) INTERPRET PER ASME Y14.5M-2009

STANDARD TOLERANCES

DECIMALS	ANGLES
X ± 0.03	± 1/2°
XX ± 0.01	FRACTIONS
XXX ± 0.005	± 1/64

TITLE:

2SLP49 SPRING LOADED TEMP. SAFETY XMITTER

SIZE	DRAWING NO.	REV
A	14062	E

SCALE: 1:1 | DO NOT SCALE THIS DRAWING | SHEET 1 OF 2

