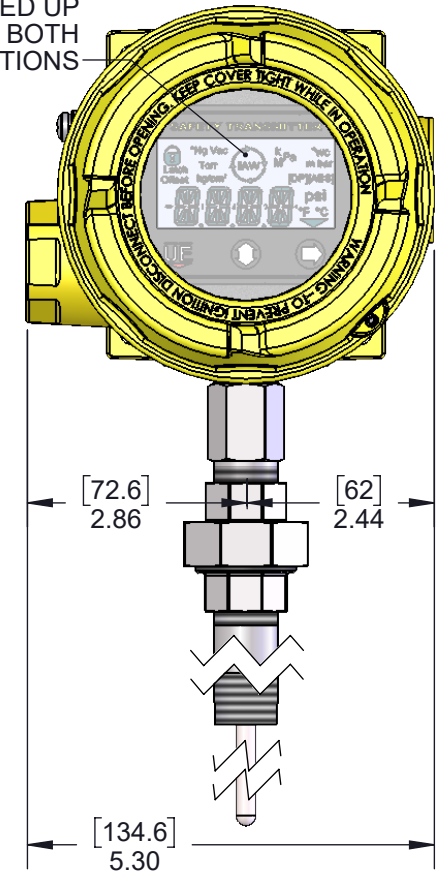


DISPLAY CAN BE ROTATED UP TO 180° BOTH DIRECTIONS



**SPECIFICATIONS (CONT'D):**  
**ELECTRICAL:**  
**ELECTRICAL CONNECTIONS:**

POWER INPUT: 3 POSITION TERMINAL BLOCK, 22-14 AWG WIRE, 4-20mA ANALOG INPUT POWERED (20-40 VDC) OR DIRECT CONNECTION TO 24 VDC (REFERENCE I&M FOR ALLOWABLE POWER SUPPLY AND LOAD LIMITS)

SAFETY RELAY OUTPUT (SWITCH OUTPUT):  
 4-POSITION TERMINAL BLOCK, 14 - 20 AWG WIRE  
 0\* - 30 VDC, 6A (GENERAL PURPOSE), 1.8A\*\* MAX. (PILOT DUTY)

\* 10 VDC, 5mA MIN. WITH RELAY MONITOR FEATURE ENABLED  
 \*\* DE-RATE 1% PER °C ABOVE 25°C

IAW OUTPUT AND SWITCH STATUS OUTPUT:  
 4-POSITION TERMINAL BLOCK, 14 - 26 AWG WIRE  
 30VDC @20mA MAX.

**SPECIFICATIONS:**

(SPECIFICATIONS AT 25°C (77°F) AND NOMINAL VOLTAGE UNLESS OTHERWISE NOTED).

**MECHANICAL:**

WETTED MATERIALS: 316 STAINLESS STEEL  
 ENCLOSURE: TYPE 360 ALUMINUM; EPOXY POWDER COATED

MODEL TTC	TEMPERATURE RANGE	EXTENSION LENGTH	
		INCHES	[cm]
N-U-N LENGTH	-40 TO 900°F/ -40 TO 482°C	4"-10" IN 1 INCH INCREMENTS	[10.1-25.4]
SHEATH LENGTH	-40 TO 900°F/ -40 TO 482°C	UP TO 36" MAX	[91.4] MAX

THIS DOCUMENT IS PROPRIETARY PROPERTY OF UNITED ELECTRIC CONTROLS. UNAUTHORIZED USE IS STRICTLY PROHIBITED.

ORIGINAL APPROVALS	DATE
<b>DRAWN BY:</b> R. MCCAREY	5/24/2017
<b>CHECKED BY:</b> SR	5/24/2017
<b>APPROVED BY:</b> R. MCCAREY	5/24/2017



**UNITED ELECTRIC CONTROLS**  
 LEADERS IN SAFETY, ALARM & SHUTDOWN

180 Dexter Avenue  
 Watertown, MA. 02472  
 617-926-1000  
 www.ueonline.com

REV	ECN#	DESCRIPTION	DATE	DRWN	APPD
E	E7532	UPDATED EXTENSION LENGTHS AND WIRING SCHEME VIEWS.	8-22-24	KLF	KCI
D	E6829	REDRAWN. CHANGED VIEW OF UNION FROM 6213-290 TO 6286-320.	3-9-2021	SR	SL
C	E6403	UPDATED TB2, SAFETY RELAY OUTPUT TERMINAL BLOCK LABELS: "VDC" REPLACED "NEUTRAL 1" & "NEUTRAL 2"; "SRO" REPLACED "SRO" & "LINE" (SHEET 2)	12-13-18	SR	RAM
B	E6315	REDRAWN. CHANGED TWO 2-POSITION TERMINAL BLOCKS FOR THE SWITCH STATUS AND IAW OUTPUTS TO ONE 4-POSITION TERMINAL BLOCK. CHANGED AWG RATING FROM 16-26 TO 14-26.	8/6/18	SR	JCG
<b>REVISION HISTORY</b>					

**THIRD ANGLE PROJECTION**

UNLESS OTHERWISE SPECIFIED DIMENSIONS & TOLERANCES ARE IN INCHES (MM) INTERPRET PER ASME Y14.5M-2009

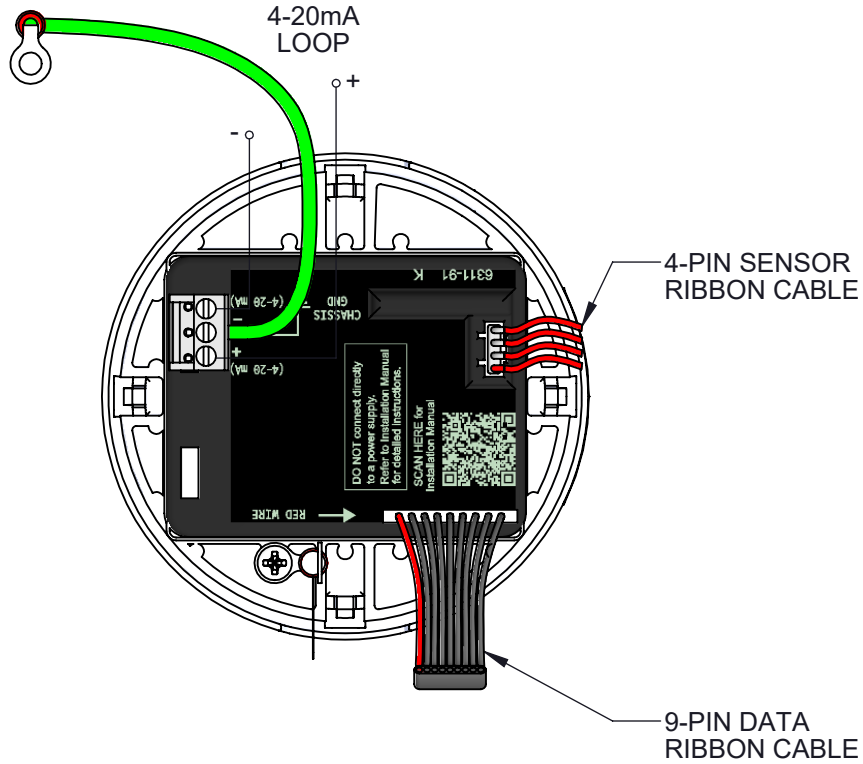
**STANDARD TOLERANCES**

DECIMALS	ANGLES
X ± 0.03	± 1/2°
XX ± 0.01	FRACTIONS
XXX ± 0.005	± 1/64

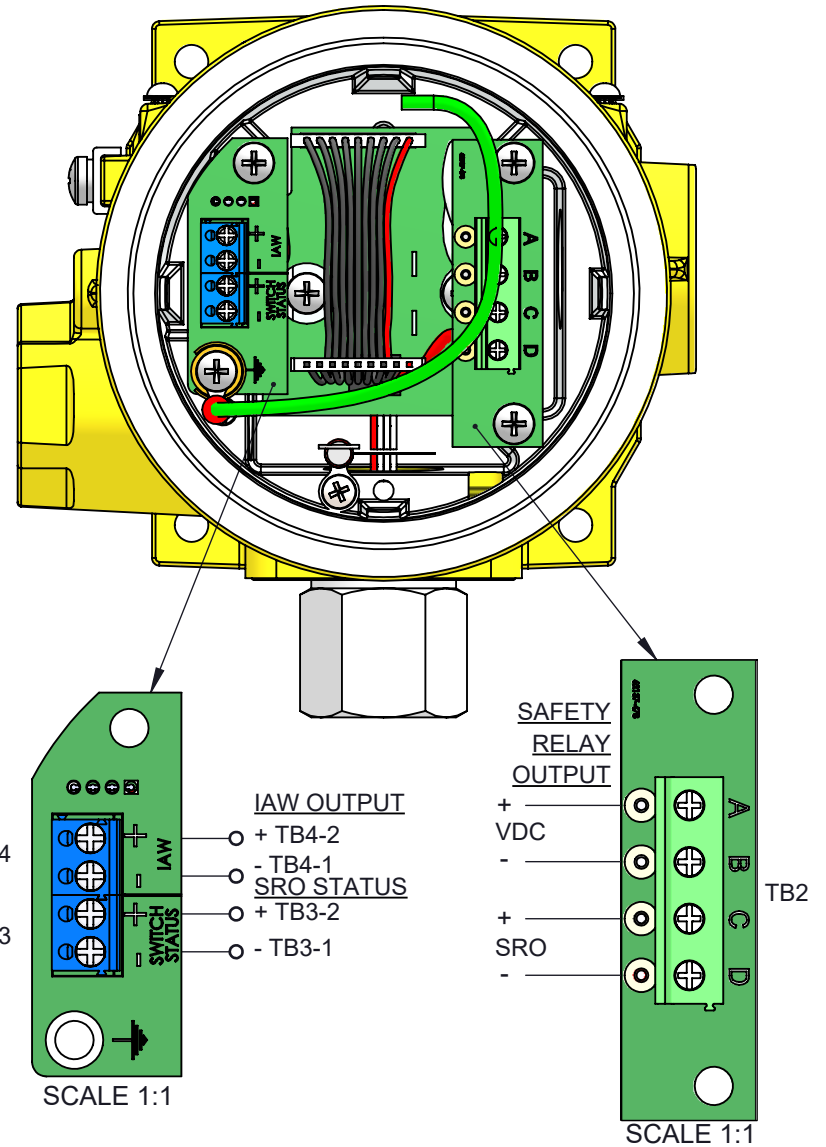
<b>TITLE:</b>		
<b>2SLP48 SPRING LOADED TEMP. SAFETY XMITTER</b>		
SIZE	DRAWING NO.	REV
<b>A</b>	14057	<b>E</b>
SCALE: 1:1	DO NOT SCALE THIS DRAWING	SHEET 1 OF 2

2SLP48 WIRING DIAGRAM

DISPLAY MODULE (REAR)



BASE ENCLOSURE



THIS DOCUMENT IS PROPRIETARY PROPERTY OF UNITED ELECTRIC CONTROLS. UNAUTHORIZED USE IS STRICTLY PROHIBITED.

**THIRD ANGLE PROJECTION**

UNLESS OTHERWISE SPECIFIED DIMENSIONS & TOLERANCES ARE IN INCHES (MM) INTERPRET PER ASME Y14.5M-2009

STANDARD TOLERANCES	
DECIMALS	ANGLES
X ± 0.03	± 1/2°
XX ± 0.01	FRACTIONS ± 1/64
XXX ± 0.005	

**UE UNITED ELECTRIC CONTROLS**  
LEADERS IN SAFETY, ALARM & SHUTDOWN

180 Dexter Avenue  
Watertown, MA. 02472  
617-926-1000  
www.ueonline.com

SIZE	DRAWING NO.	REV
A	14057	E
SCALE: 2:3 DO NOT SCALE THIS DRAWING		SHEET 2 OF 2