

**SPECIFICATIONS:**

**MECHANICAL:**  
 WETTED MATERIALS: 316 STAINLESS STEEL  
 ENCLOSURE: TYPE 360 ALUMINUM; EPOXY POWDER COATED

**ELECTRICAL:**  
 ELECTRICAL CONNECTION:  
 TB1: 3 POSITION TERMINAL BLOCK, 22-14 AWG Max  
 \* TB3: 2 POSITION TERMINAL BLOCK, 26-14 AWG Max  
 \* TB2: 4 POSITION TERMINAL BLOCK, 26-14 AWG Max

**SWITCH SPECS (Switch and IAW):**  
 TB1: 4-20mA LOOP OUTPUT, 20-40 VDC@21mA Max.  
 (VOLTAGES ABOVE 25 VDC REQUIRE A SUITABLE SERIES LOAD RESISTOR. SEE I&M FOR DETAILS)  
 \* TB3: IAW OUTPUT, 30 VDC @ 20 mA Max.  
 \* TB2: SWITCH OUTPUTS (2), 0-280 VAC/DC @ 300 mA  
 (DERATE 8% PER 10°C ABOVE 21°C)

\* MODEL 1TXSW ONLY

**APPROVALS:**

**cULus LISTED**  
 CLASS I, DIVISION 1, GROUPS A, B, C & D;  
 CLASS II, DIVISION 1, GROUPS E, F & G; CLASS III  
 CLASS I, ZONE 1, AEx d IIC T5;  
 Ex d IIC T5;  
 CLASS I, ZONE 2, AEx nA IIC T4;  
 CLASS I, ZONE 2 EX nA IIC T4;  
 -40°C ≤ Tamb ≤ 85°C (-40°F ≤ Tamb ≤ 185°F)  
 ENCLOSURE TYPE 4X; IP66  
 UL File: E226592

**ATEX APPROVED**  
 II 2 G Ex db IIC T5 Gb;  
 II 2 D Ex tb IIIC A21 T+90°C Db;  
 IP66  
 -40°C ≤ Tamb ≤ 85°C (-40°F ≤ Tamb ≤ 185°F)  
 DEMKO 09 ATEX 0813748X

II 3 G Ex nA IIC T4 Gc  
 DEMKO 15 ATEX 1483

**APPROVALS:**

**IECEx APPROVED**  
 Ex db IIC T5 Gb;  
 Ex tb IIIC T+90°C Db;  
 IP66  
 -40°C ≤ Tamb ≤ 85°C (-40°F ≤ Tamb ≤ 185°F)  
 IECEx UL 08.0017X

Ex nA IIC T4 Gc  
 IECEx UL 08.0017X

MODEL	TEMPERATURE RANGE	EXTENSION LENGTH	
		ft	[meter]
TR1	-40 TO 450°F/ -40 TO 232°C	6'	[1.8]
TRC	-40 TO 450°F/ -40 TO 232°C	UP TO 60' MAX IN 1' INCREMENTS	[18.3] MAX
TH1	-40 TO 1000°F/ -40 TO 538°C	6'	[1.8]
THC	-40 TO 1000°F/ -40 TO 538°C	UP TO 60' MAX IN 1' INCREMENTS	[18.3] MAX
TC1	-300 TO 200°F/ -184 TO 93°C	6'	[1.8]
TCC	-300 TO 200°F/ -184 TO 93°C	UP TO 60' MAX IN 1' INCREMENTS	[18.3] MAX

THIS DOCUMENT IS PROPRIETARY PROPERTY OF UNITED ELECTRIC CONTROLS. UNAUTHORIZED USE IS STRICTLY PROHIBITED.

ORIGINAL APPROVALS	DATE
DRAWN BY: RAM	9/4/2015
CHECKED BY: SR	9/4/2015
APPROVED BY: R. MCCAREY	9/4/2015

**UE UNITED ELECTRIC CONTROLS**  
 LEADERS IN SAFETY, ALARM & SHUTDOWN  
 180 Dexter Avenue  
 Watertown, MA. 02472  
 617-926-1000  
 www.ueonline.com

**THIRD ANGLE PROJECTION**

UNLESS OTHERWISE SPECIFIED  
 DIMENSIONS & TOLERANCES  
 ARE IN INCHES (MM)  
 INTERPRET PER ASME Y14.5M-2009

**STANDARD TOLERANCES**  
 DECIMALS ANGLES  
 X ± 0.03 ± 1/2°  
 XX ± 0.01 FRACTIONS  
 XXX ± 0.005 ± 1/64

TITLE:  
**1TXSW/1TX00 REMOTE TEMP. TRANSMITTER**

SIZE: **A** DRAWING NO. **14023** REV **D**

SCALE: 1:3 DO NOT SCALE THIS DRAWING SHEET 1 OF 2

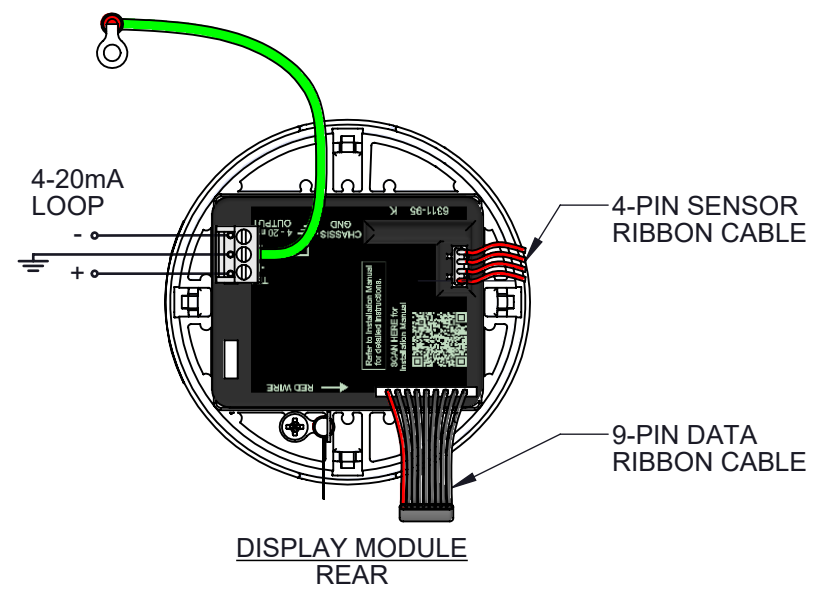
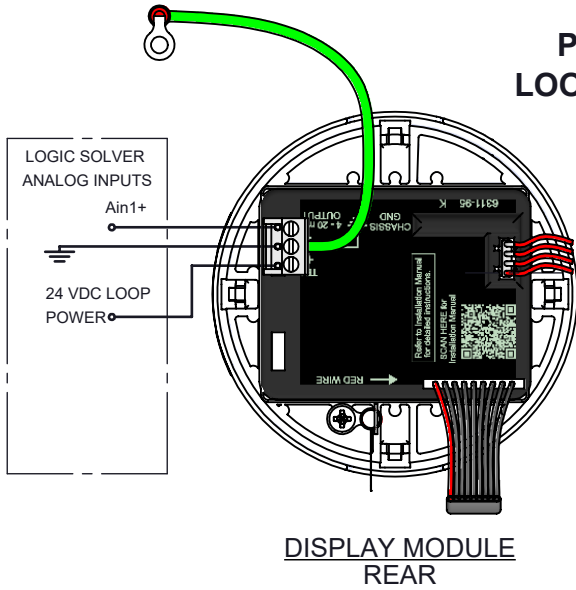
REV	ECN#	DESCRIPTION	DATE	DRWN	APPD
D	E7532	UPDATED EXTENSION LENGTHS AND WIRING SCHEME VIEWS.	8/22/2024	KLF	KCI
C	E5644	"TRANSMITTER" WAS "SWITCH" IN TITLE BLOCK. ADDED "*" MODEL 1TXSW ONLY * TO WIRING DIAGRAM, PG. 2 OF 2.	10-9-15	SR	RAM
B	E5632	DELETED "CLASS 1, ZONE 1" FROM "Ex d IIC T5" IN cULus APPROVAL. ADDED "b" TO "Ex db" IN ATEX AND IECEx APPROVALS	9-21-15	SR	EM
A	E5620	FIRST ISSUE.	9-4-15	RAM	RAM

**REVISION HISTORY**

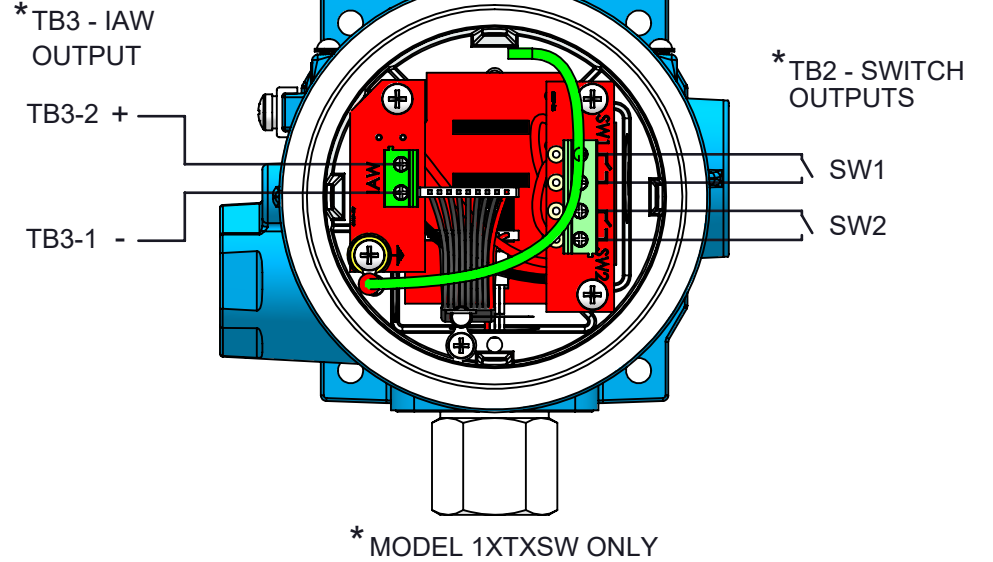
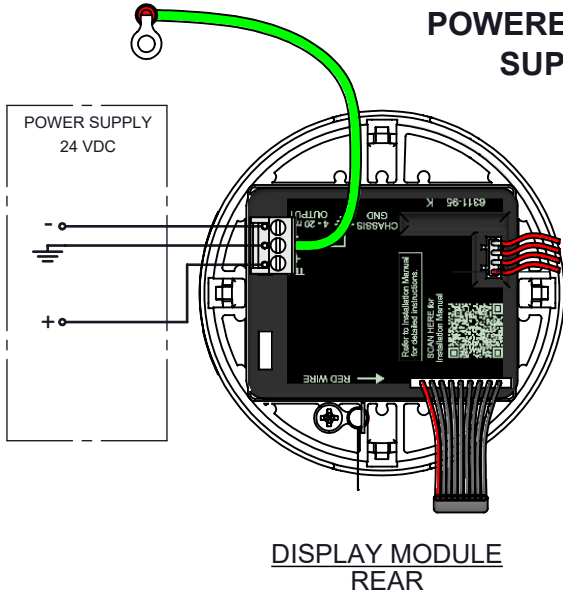
**POWER OPTIONS**

**WIRING DIAGRAM**

**POWERED BY 4-20mA LOOP (1XTXSW / 1XTX00)**



**POWERED BY 24VDC POWER SUPPLY (1XTXSW ONLY)**



THIS DOCUMENT IS PROPRIETARY PROPERTY OF UNITED ELECTRIC CONTROLS. UNAUTHORIZED USE IS STRICTLY PROHIBITED.

**THIRD ANGLE PROJECTION**

UNLESS OTHERWISE SPECIFIED DIMENSIONS & TOLERANCES ARE IN INCHES (MM) INTERPRET PER ASME Y14.5M-2009

STANDARD TOLERANCES	
DECIMALS	ANGLES
X ± 0.03	± 1/2°
XX ± 0.01	FRACTIONS ± 1/64
XXX ± 0.005	

**UE UNITED ELECTRIC CONTROLS**  
LEADERS IN SAFETY, ALARM & SHUTDOWN

180 Dexter Avenue  
Watertown, MA. 02472  
617-926-1000  
www.ueonline.com

SIZE	DRAWING NO.	REV
A	14023	D
SCALE: 1:1 DO NOT SCALE THIS DRAWING		SHEET 2 OF 2