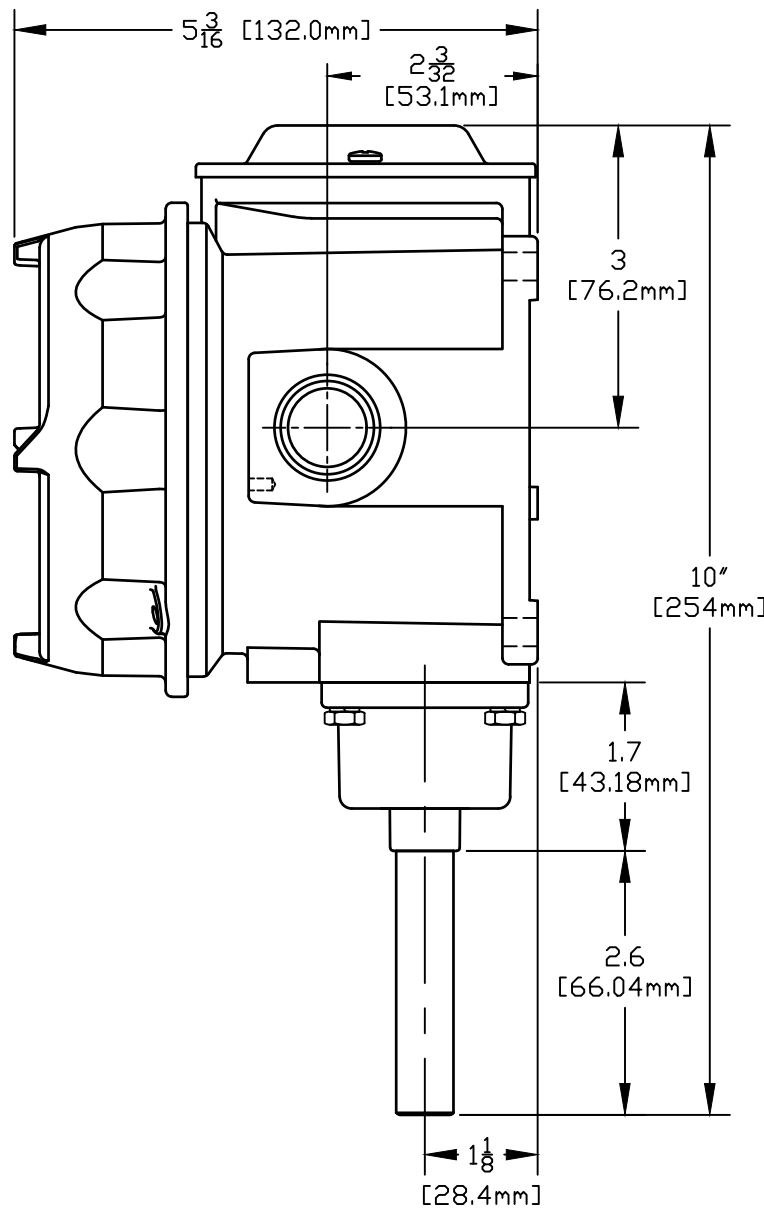





COVER REMOVED
IN FRONT VIEW



APPROVALS:  **us**
 cULus LISTED
 CLASS I, DIVISION 1,
 GROUPS B, C & D
 CLASS II, DIVISION 1,
 GROUPS E, F & G
 CLASS III
 -50°C ≤ Tamb. ≤ +71°C
 CLASS I, ZONE 1, GROUP IIB + H₂ T6
 ENCLOSURE TYPE 4X, 7, 9

 **ATEX DIRECTIVE 94/9/EC**
 II 2 G Ex d IIC T6
 II 2 D Ex tD A21 IP66 T+85°C
 Tamb= -40°C TO +75°C

CE COMPLIANT TO
 APPLICABLE DIRECTIVE(S)

I & M SHEET IMT120

SPECIFICATIONS:
 UE TYPE: B122-13322
 CUSTOMER NAME: UEC ST'D.
 RANGE: 15 TO 140°F WITH °C EQUIV.
 E/R: 22 AMPS, 480 VAC.
 INVERTED BELLOWS ASS'Y, 304 st/st
 SWITCH: SPDT
 DIFFERENTIAL: 6°F MAX.
 CALIBRATION ACCURACY:
 ±3°F BETWEEN THE LIMITS OF
 40°F AND 78°F INCREASING TO
 ±6°F BETWEEN THE LIMITS OF
 15°F TO 39°F AND 79°F TO 140°F.
 STORAGE TEMPERATURE LIMITS FOR
 CONTROL: -65°F TO +160°F.

SYM	DESCRIPTION	DATE	DWN	APPD
C	SET POINT REMOVED ECN#E7482	4/29/24	KLF	RCI
B	UPDATED ENCLOSURE. ECN#E4345.	2-17-12	RCI	SJM
A	FIRST ISSUE. REPLACES SPEC. SHEET: 12144-2. ECN# E3275	8-11-09	SR	RAM
REVISIONS				

ORIGINAL DATE	8-11-09
DRWN	SR
CHKD	PLW
APPD	R. McCAREY

UNLESS OTHERWISE SPECIFIED
 DIMENSIONS ARE IN INCHES


DO NOT SCALE THIS DRAWING

TITLE
 B122-13322

UE STD HEATRACE

SCALE 1:2

DF001
 REV. C

 UNITED ELECTRIC
 CONTROLS COMPANY
 WATERTOWN * MASSACHUSETTS

DWG NO
 A-13950