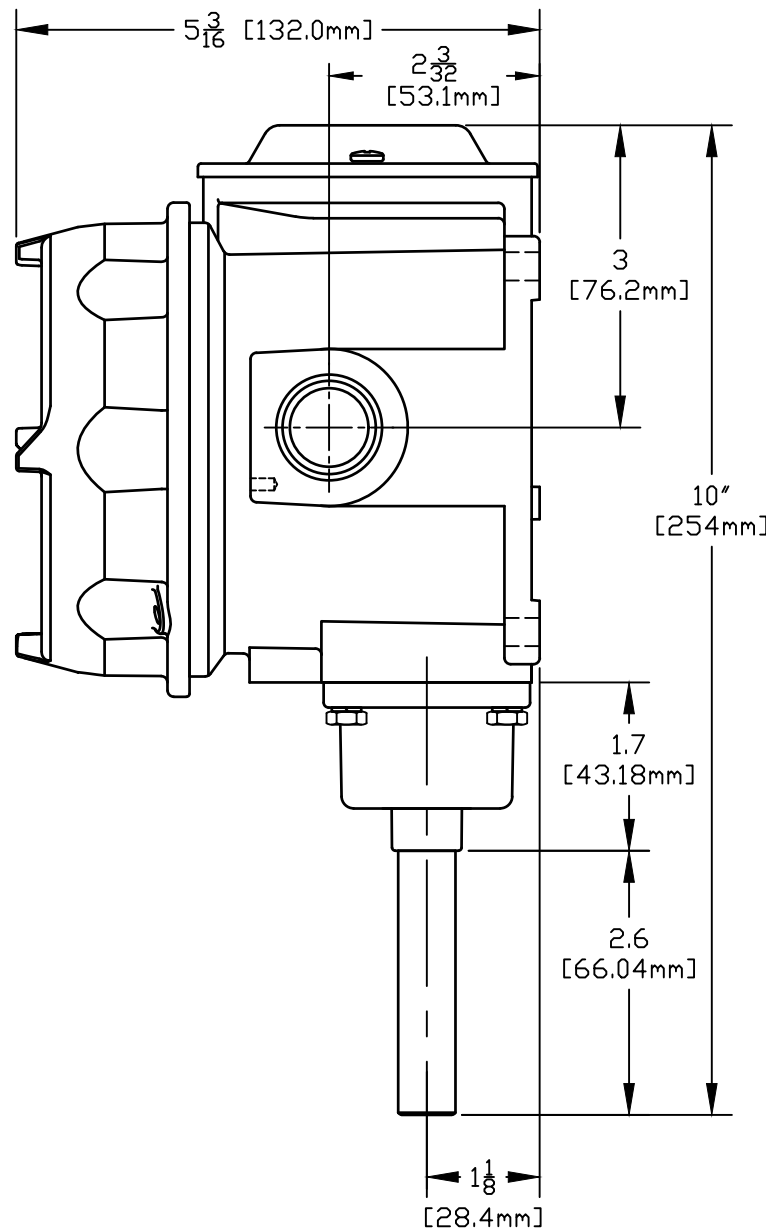


COVER REMOVED
IN FRONT VIEW



APPROVALS:



cULus LISTED
CLASS I, DIVISION 1,
GROUPS B, C & D
CLASS II, DIVISION 1,
GROUPS E, F & G
CLASS III
-50°C ≤ Tamb. ≤ +71°C
CLASS I, ZONE 1, GROUP IIB + H₂ T6
ENCLOSURE TYPE 4X, 7, 9

ATEX DIRECTIVE 94/9/EC
II 2 G Ex d IIC T6
II 2 D Ex tD A21 IP66 T+85°C
Tamb = -40°C TO +75°C

CE COMPLIANT TO
APPLICABLE DIRECTIVE(S)

I & M SHEET IMT120

SPECIFICATIONS:

UE TYPE: B121-13272
CUSTOMER NAME: UEC ST'D.
RANGE: 15 TO 140°F WITH °C EQUIV.
E/R: 22 AMPS, 480 VAC.
INVERTED BELLOWS ASS'Y, 304 st/st
SWITCH: SPDT
DIFFERENTIAL: 6°F MAX.
CALIBRATION ACCURACY:
±3°F BETWEEN THE LIMITS OF
40°F AND 78°F INCREASING TO
±6°F BETWEEN THE LIMITS OF
15°F TO 39°F AND 79°F TO 140°F.
STORAGE TEMPERATURE LIMITS FOR
CONTROL: -65°F TO +160°F.

SYM	DESCRIPTION	DATE	DWN	APPD
C	SET POINT REMOVED ECN#E7482	4/29/24	KLF	RCI
B	UPDATED ENCLOSURE. ECN#E4345.	2-17-12	RCI	SJM
A	FIRST ISSUE. REPLACES SPEC. SHEET: 12128-3. ECN#E3275	8-11-09	S.R.	RM

REVISIONS

ORIGINAL DATE	8-11-09
DRWN	SR
CHKD	PLW
APPD	R. MCCAREY

UNLESS OTHERWISE SPECIFIED
DIMENSIONS ARE IN INCHES

DO NOT SCALE THIS DRAWING

TITLE

B121-13272

UE STD HEATRACE

SCALE 1:2



DF001
REV. C

UNITED ELECTRIC
CONTROLS COMPANY
WATERTOWN * MASSACHUSETTS

DWG NO

A-13949