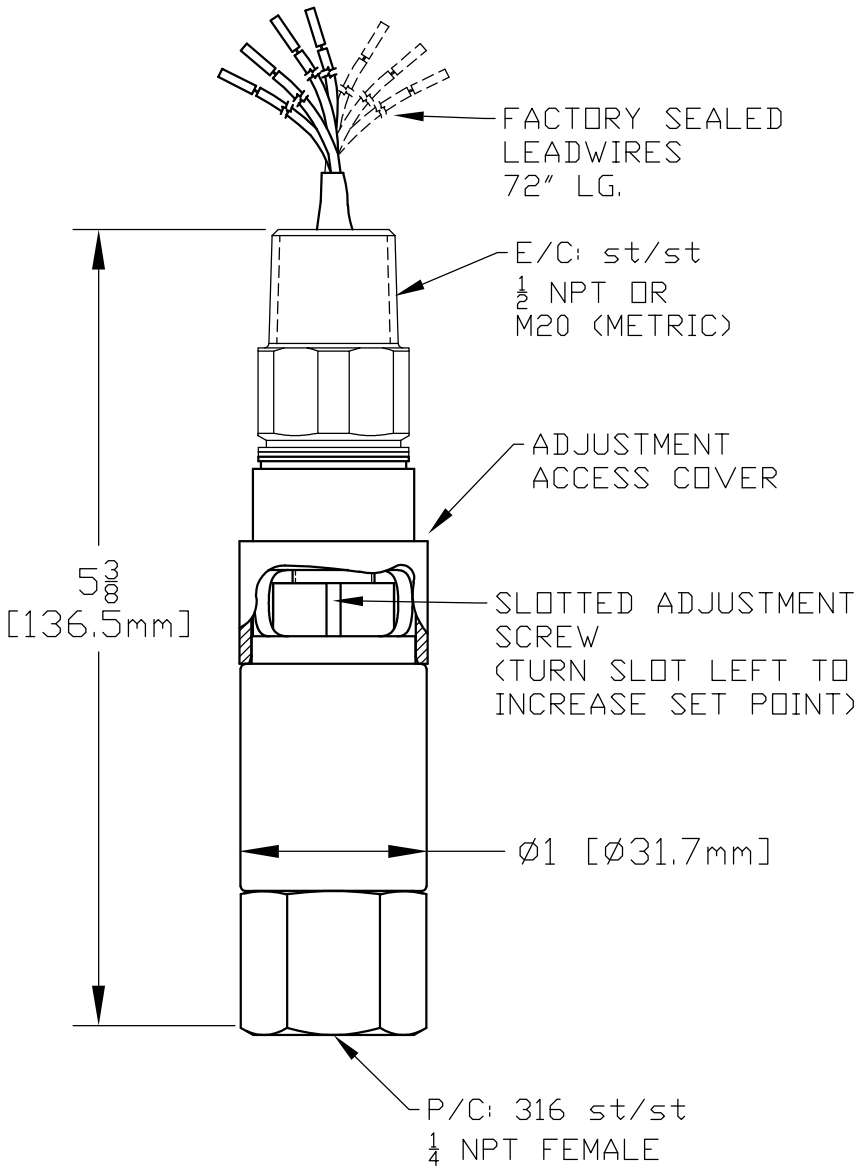


SPECIFICATIONS:

- * APPROVALS:
UL LISTED; cUL CERTIFIED,
CLASS I, DIVISION 1, GROUPS A, B, C, D
CLASS II, DIVISION 1, GROUPS E, F, G, CLASS III
ATEX FLAME PROOF CONSTRUCTION PER Ex d IIC T6
- * ENCLOSURE: 316 st/st EXPOSED PARTS
- * ENCLOSURE CLASSIFICATION: NEMA 4X, 7, 9; IP66
- * SWITCH OUTPUT:
ONE SPDT, FACTORY SEALED LEADWIRES.
TWO SPDT FOR DPDT ACTION AVAILABLE
- * ELECTRICAL RATINGS:
5 A (CODE H) @ 250 VAC, 5 A RESISTIVE AND
3 A INDUCTIVE @ 28 VDC, SILVER CONTACTS.
1 A (CODE L) @ 125 VAC 1 A RESISTIVE AND
0.5 A INDUCTIVE @ 28 VDC. BIFURCATED GOLD CONTACTS.
- * NON-BELLEVILLE CONSTRUCTION
- * WETTED MATERIAL:
P/C: 316 st/st
PISTON: 316 st/st
O-RING: BUNA-N



P4	4000 TO 12500	275,8 TO 861,9	300 TO 1450	20,7 TO 99,9
P3	1200 TO 5500	82,7 TO 379,2	100 TO 800	6,9 TO 55,2
P2	600 TO 2600	41,4 TO 179,3	50 TO 350	3,4 TO 24,1
P1	300 TO 1200	20,7 TO 82,7	30 TO 200	2,1 TO 13,8
P0	50 TO 500	3,4 TO 34,5	15 TO 65	1,0 TO 4,5
MODEL NO.	psi	bar	psi	bar
	ADJUSTABLE RANGE		DEADBAND	
	LOW END OF RANGE ON FALL			
	HIGH END OF RANGE ON RISE			

WIRE COLOR CODING		
	SW#1	SW#2
COMMON	BROWN	YELLOW
N.C.	RED	BLACK
N.O.	BLUE	VIOLET
GROUND	GREEN	

SYM	DESCRIPTION	DATE	DWN	APPD
K	P2 ADJUSTABLE RANGE WAS 41,4 TO 180,1 bar. ECN#E6622	12-31-19	SR	ASK
J	P4 DEADBAND WAS 300 TO 1250 AND 20,7 TO 86,2. ECN# E4477	5-18-12	MJF	RAM
H	REDRAWN. GENERAL REDESIGN. DELETED DIVISION 2 FROM APPROVALS. ECN# E3649	6-17-10	SR	RAM
REVISIONS				

ORIGINAL DATE	9-7-01
DRWN	S. ROBAK
CHKD	AB
APPD	W. KERR
UNLESS OTHERWISE SPECIFIED DIMENSIONS ARE IN INCHES	
DO NOT SCALE THIS DRAWING	

TITLE	12 SERIES SENSOR TYPE P0 TO P4
SCALE	NONE

DF001D
UE
UNITED ELECTRIC CONTROLS COMPANY WATERTOWN * MASSACHUSETTS
DWG NO A-13779