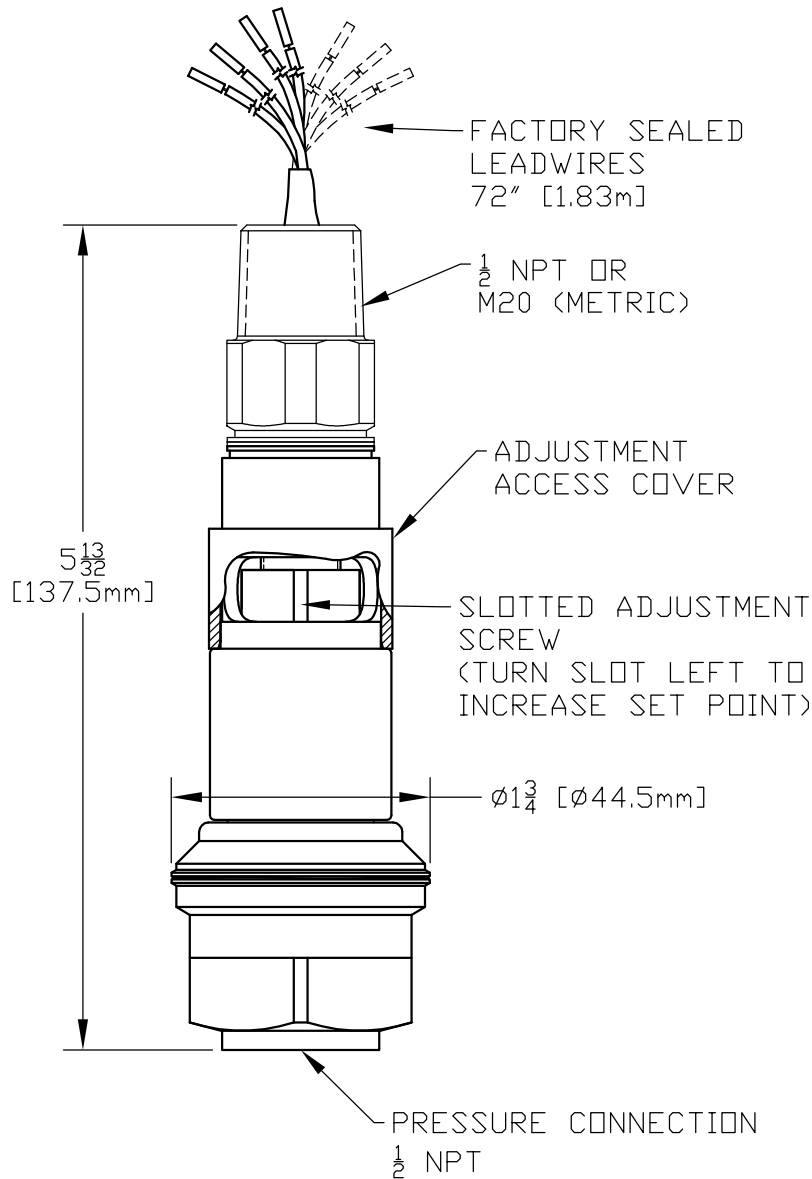


SPECIFICATIONS:

- \* APPROVALS:  
 UL LISTED, FILE E40857; cUL CERTIFIED, FILE E40857  
 CLASS I, DIVISION 1, GROUPS A, B, C, D  
 CLASS II, DIVISION 1, GROUPS E, F, G, CLASS III  
 ATEX FLAME PROOF CONSTRUCTION PER Ex d IIC T6  
 CERTIFICATE# DEMKO ATEX.  
 FLAMEPROOF EQUIPMENT
- \* ENCLOSURE: 316 st/st EXPOSED PARTS
- \* ENCLOSURE CLASSIFICATION: NEMA 4X, 7, 9; IP66
- \* SWITCH OUTPUT:  
 ONE SPDT, FACTORY SEALED LEADWIRES.  
 TWO SPDT FOR DPDT ACTION AVAILABLE
- \* ELECTRICAL RATINGS:  
 5 A (CODE H) @ 250 VAC, 5 A RESISTIVE AND  
 3 A INDUCTIVE @ 28 VDC, SILVER CONTACTS.  
 1 A (CODE L) @ 125 VAC 1 A RESISTIVE AND  
 0.5 A INDUCTIVE @ 28 VDC. BIFURCATED GOLD CONTACTS.
- \* NON-BELLEVILLE CONSTRUCTION
- \* WETTED MATERIAL:  
 PRESSURE CONNECTION: 316L st/st  
 DIAPHRAGM: 316L st/st




MODEL NO.	ADJUSTABLE RANGE	
	LOW END OF RANGE ON FALL	HIGH END OF RANGE ON RISE
	psi	bar
C	5 TO 100	0,34 TO 6,9
B	3 TO 50	0,21 TO 3,4
A	1 TO 15	0,07 TO 1,0

WIRE COLOR CODING		
	SW#1	SW#2
COMMON	BROWN	YELLOW
N.C.	RED	BLACK
N.O.	BLUE	VIDLET
GROUND	GREEN	

SYM	DESCRIPTION	DATE	DWN	APPD
F	REMOVED DEADBAND FROM TABLE, ADDED METRIC CONVERSION TO LEADWIRES, REMOVED 'E/C: st/st'. ECN#E4709	2/26/13	NAB	WK
E	REDRAWN. GENERAL REDESIGN. UPDATED APPROVALS. ECN#E3649	6-17-10	S.R.	RAM
REVISIONS				

ORIGINAL DATE	7-15-99
DRWN	S.R.
CHKD	A.B.
APPD	V. PRAKUSON
UNLESS OTHERWISE SPECIFIED DIMENSIONS ARE IN INCHES	
DO NOT SCALE THIS DRAWING	

TITLE	12 SERIES SENSOR TYPE 9
SCALE	NONE

DF001D
 UNITED ELECTRIC CONTROLS COMPANY WATERTOWN * MASSACHUSETTS
DWG NO A-13713