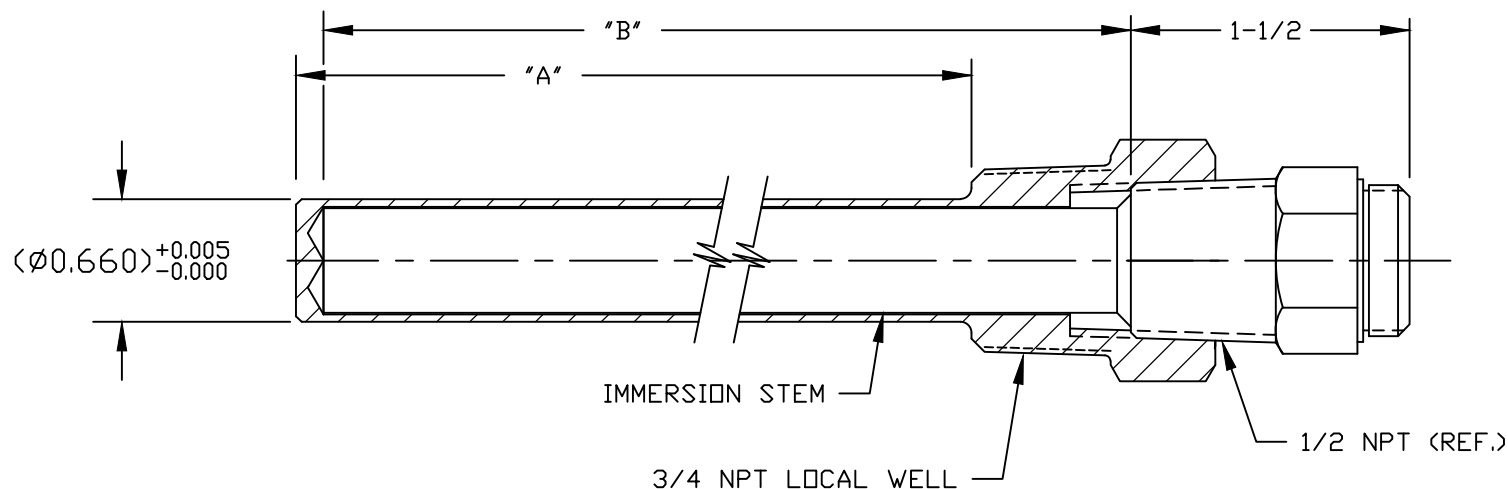



OFFERED ON TEMPERATURE PRODUCTS
(IMMERSION STEM).

100 120
117 400



I275	15-9/16	15"	W351
I274	12-9/16	12"	W350
I273	10-9/16	10"	W349
I272	8-9/16	8"	W348
I271	6-9/16	6"	W347
I270	4-9/16	4"	W346
UE OPTION NO. IMMERSION STEM EXTENSION	LENGTH BELOW THE THREADS IMMERSION STEM "B"	LENGTH BELOW TH'DS, LOCAL WELL "A"	st/st WELL UE OPTION NO.

E	ø0.660 +0.005/-0.000 DIM WAS ø5/8. ECN#E6175	11/20/17	SR	RAM	ORIGINAL DATE 1-21-98	TITLE THERMAL ASSEMBLY EXTENSIONS AND WELLS	 DF002 REV. A UNITED ELECTRIC CONTROLS COMPANY WATERTOWN * MASSACHUSETTS
D	DELETED 105 SERIES NO LONGER OFFERED ON TEMPERATURE PRODUCTS. ECN# E4437	4/24/12	MJF	RAM	DRWN PETER WEILER CHKD PETER WEILER		
C	DELETED BRASS WELL OPTION COLUMN. ECN#E3806	11-3-10	AM	LK	APPD A.MINASSIAN		
B	REDRAWN; REVISED st/st WELL COLUMN OF CHART. ECN# C8247	7/27/99	PLW	V.P.	UNLESS OTHERWISE SPECIFIED DIMENSIONS ARE IN INCHES TOLERANCES ON FRACTIONS ±1/64		
A	FIRST ISSUE. ECN#C7038	1-22-98	P.W.	A.M.	2 PLACE DEC 3 PLACE DEC ANGLES ±.010 ±.005 ±1/2°		
SYM	DESCRIPTION	DATE	DWN	APPD	DO NOT SCALE THIS DRAWING	SCALE FULL	DWG NO A-62168-999-3
REVISIONS							