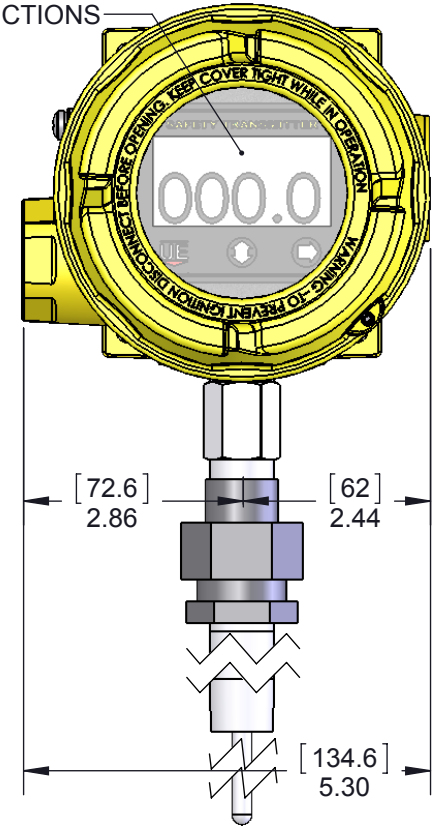


DISPLAY CAN BE ROTATED UP TO 180° BOTH DIRECTIONS



**SPECIFICATIONS:**

(SPECIFICATIONS AT 25°C (77°F) AND NOMINAL VOLTAGE UNLESS OTHERWISE NOTED).

**MECHANICAL:**

WETTED MATERIALS: 316 STAINLESS STEEL  
ENCLOSURE: TYPE 360 ALUMINUM; EPOXY POWDER COATED

**SPECIFICATIONS(CONT'D):**

**ELECTRICAL:**

**ELECTRICAL CONNECTIONS:**

POWER INPUT: 3 POSITION TERMINAL BLOCK, 22-14 AWG WIRE, 4-20mA ANALOG INPUT POWERED (20-40 VDC) OR DIRECT CONNECTION TO 24 VDC (REFERENCE I&M FOR ALLOWABLE POWER SUPPLY AND LOAD LIMITS)

SAFETY RELAY OUTPUT (SWITCH OUTPUT):  
4-POSITION TERMINAL BLOCK, 14 - 20 AWG WIRE  
0\* - 30 VDC, 6A (GENERAL PURPOSE), 1.8A\*\* MAX. (PILOT DUTY)

\* 10 VDC, 5mA MIN. WITH RELAY MONITOR FEATURE ENABLED  
\*\* DE-RATE 1% PER °C ABOVE 25°C

I&W OUTPUT AND SWITCH STATUS OUTPUT:  
4-POSITION TERMINAL BLOCK, 14 - 26 AWG WIRE  
30VDC @20mA MAX.

MODEL TTC	TEMPERATURE RANGE	EXTENSION LENGTH	
		INCHES	[cm]
N-U-N LENGTH	-40 TO 900°F/ -40 TO 482°C	4"-10" IN 1 INCH INCREMENTS	[10.1-25.4]
SHEATH LENGTH	-40 TO 900°F/ -40 TO 482°C	UP TO 60" MAX	[152.4] MAX

THIS DOCUMENT IS PROPRIETARY PROPERTY OF UNITED ELECTRIC CONTROLS. UNAUTHORIZED USE IS STRICTLY PROHIBITED.

APPROVALS	DATE
DRAWN BY: R. MCCAREY	5/24/2017
CHECKED BY: SR	5/24/2017
APPROVED BY: R. MCCAREY	5/24/2017



**UNITED ELECTRIC CONTROLS**  
LEADERS IN SAFETY, ALARM & SHUTDOWN

180 Dexter Avenue  
Watertown, MA. 02472  
617-926-1000  
www.ueonline.com

THIRD ANGLE PROJECTION

TITLE:  
**2SLP48  
SPRING LOADED TEMP.  
SAFETY XMITTER**

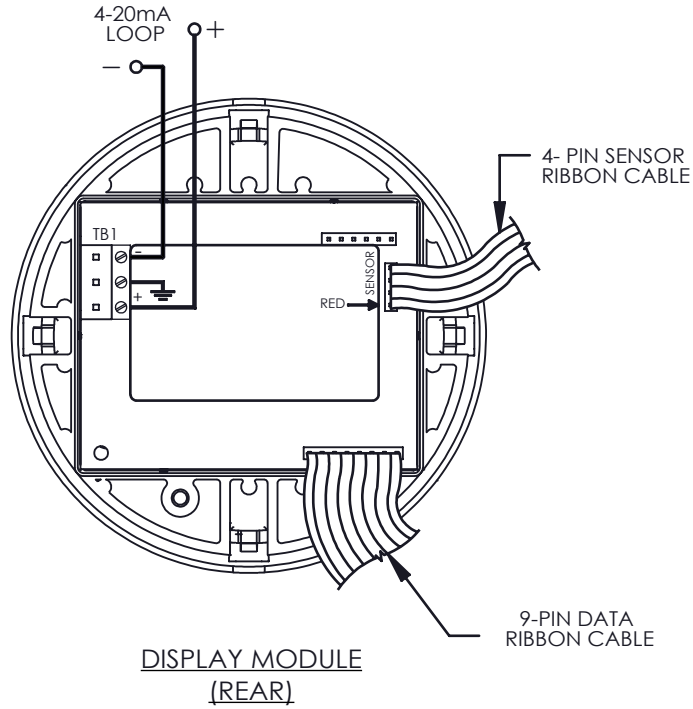
UNLESS OTHERWISE SPECIFIED DIMENSIONS & TOLERANCES ARE IN INCHES (MM) INTERPRET PER ASME Y14.5M-2009  
**STANDARD TOLERANCES**  
DECIMALS ANGLES  
X ± 0.03 ± 1/2°  
XX ± 0.01 FRACTIONS  
XXX ± 0.005 ± 1/64

SIZE <b>A</b>	DRAWING NO. <b>14057</b>	REV <b>B</b>
------------------	-----------------------------	-----------------

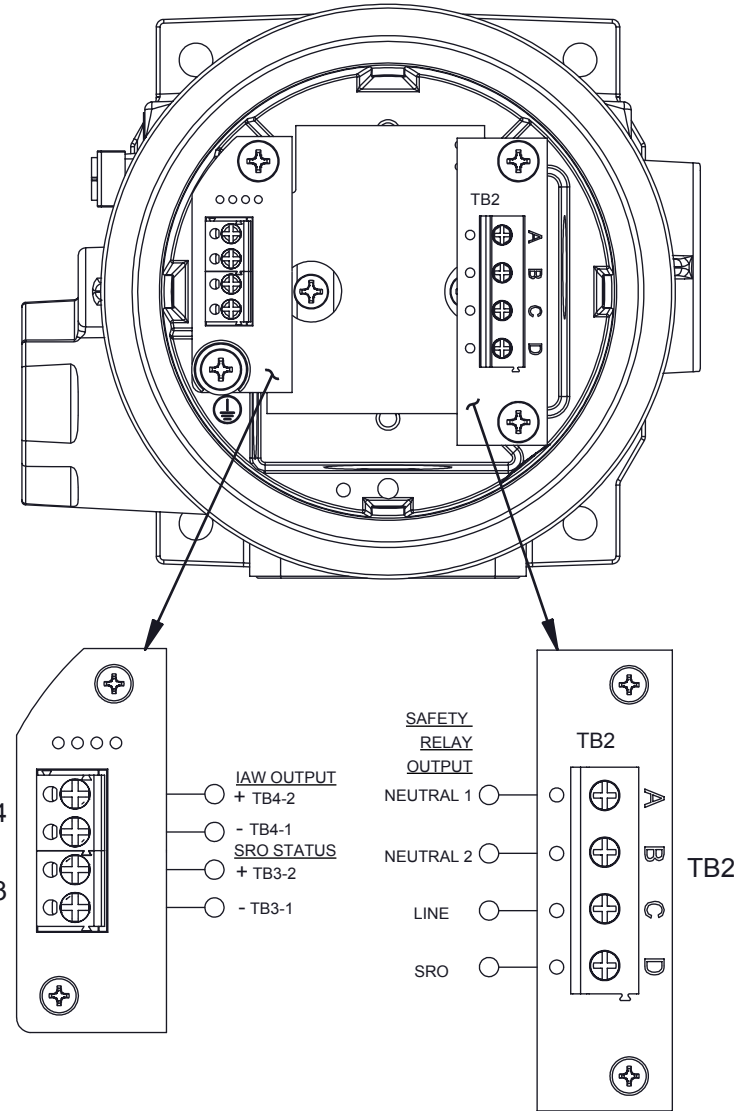
REV	ECN#	DESCRIPTION	DATE	DRWN	APPD
B	E6315	REDRAWN. CHANGED TWO 2-POSITION TERMINAL BLOCKS FOR THE SWITCH STATUS AND I&W OUTPUTS TO ONE 4-POSITION TERMINAL BLOCK. CHANGED AWG RATING FROM 16-26 TO 14-26.	8/6/18	SR	JCG
<b>REVISION HISTORY</b>					

SCALE: 1:1 DO NOT SCALE THIS DRAWING SHEET 1 OF 2

2SLP48 WIRING DIAGRAM



BASE ENCLOSURE



THIS DOCUMENT IS PROPRIETARY PROPERTY OF UNITED ELECTRIC CONTROLS. UNAUTHORIZED USE IS STRICTLY PROHIBITED.

**THIRD ANGLE PROJECTION**

UNLESS OTHERWISE SPECIFIED DIMENSIONS & TOLERANCES ARE IN INCHES (MM) INTERPRET PER ASME Y14.5M-2009

**STANDARD TOLERANCES**

DECIMALS	ANGLES
X ± 0.03	± 1/2°
XX ± 0.01	FRACTIONS ± 1/64
XXX ± 0.005	

**UE UNITED ELECTRIC CONTROLS**  
LEADERS IN SAFETY, ALARM & SHUTDOWN

180 Dexter Avenue  
Watertown, MA. 02472  
617-926-1000  
www.ueonline.com

SIZE	DRAWING NO.	REV
<b>A</b>	<b>14057</b>	<b>B</b>
SCALE: 1:1 DO NOT SCALE THIS DRAWING		SHEET 2 OF 2