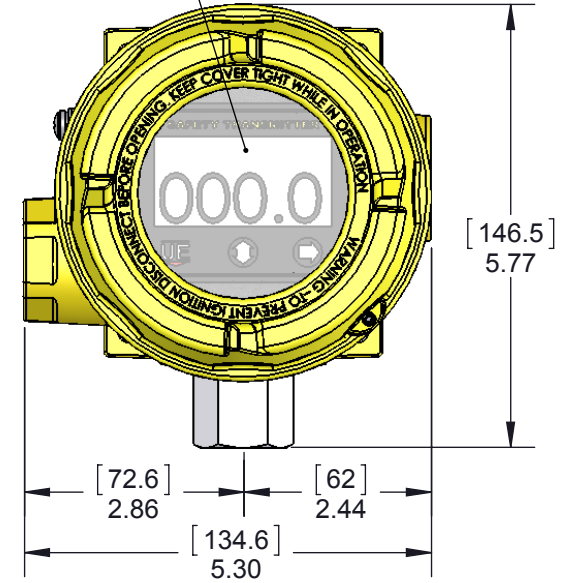


DISPLAY CAN BE ROTATED UP TO 180° BOTH DIRECTIONS



**SPECIFICATIONS:**

(SPECIFICATIONS AT 25°C (77°F) AND NOMINAL VOLTAGE UNLESS OTHERWISE NOTED).

**MECHANICAL:**

WETTED MATERIALS: 316 STAINLESS STEEL  
ENCLOSURE: TYPE 360 ALUMINUM; EPOXY POWDER COATED

**ELECTRICAL:**

**ELECTRICAL CONNECTIONS:**

POWER INPUT: 3 POSITION TERMINAL BLOCK, 22-14 AWG WIRE, 4-20mA ANALOG INPUT POWERED (20-40 VDC) OR DIRECT CONNECTION TO 24 VDC (REFERENCE I&M FOR ALLOWABLE POWER SUPPLY AND LOAD LIMITS)

SAFETY RELAY OUTPUT (SWITCH OUTPUT):  
4-POSITION TERMINAL BLOCK, 14 - 20 AWG WIRE  
0\* - 30 VDC, 6A (GENERAL PURPOSE), 1.8A\*\* MAX. (PILOT DUTY)

\* 10 VDC, 5mA MIN. WITH RELAY MONITOR FEATURE ENABLED  
\*\* DE-RATE 1% PER °C ABOVE 25°C

I&W OUTPUT AND SWITCH STATUS OUTPUT:  
4-POSITION TERMINAL BLOCK, 14 - 26 AWG WIRE  
30VDC @20mA MAX.

MODEL PXX	OPERATING RANGE				MAX. OVER PRESSURE	
	LOW		HIGH		psi	bar
	psi	bar	psi	bar		
P06	-14.7	-1	30	2.1	60	4.1
P08	-14.7	-1	100	6.9	200	13.8
P10	0	0	5	0.3	10	0.7
P11	0	0	15	1.0	30	2.1
P12	0	0	30	2.1	60	4.1
P13	0	0	50	3.4	100	6.9
P14	0	0	100	6.9	200	13.8
P15	0	0	300	20.7	600	41.4
P16	0	0	500	34.5	1000	68.9
P17	0	0	1000	68.9	2000	137.9
P18	0	0	3000	206.8	6000	413.7
P19	0	0	4500	310.3	9000	620.6
P20	0	0	6000	413.6	12000	827.4

THIS DOCUMENT IS PROPRIETARY PROPERTY OF UNITED ELECTRIC CONTROLS. UNAUTHORIZED USE IS STRICTLY PROHIBITED.

APPROVALS	DATE
DRAWN BY: R. MCCAREY	5/24/2017
CHECKED BY: SR	5/24/2017
APPROVED BY: R. MCCAREY	5/24/2017

THIRD ANGLE PROJECTION

**UNITED ELECTRIC CONTROLS**  
LEADERS IN SAFETY, ALARM & SHUTDOWN

180 Dexter Avenue  
Watertown, MA. 02472  
617-926-1000  
www.ueonline.com

TITLE: **2SLP48 GAGE PRESSURE SAFETY XMITTER**

REV	ECN#	DESCRIPTION	DATE	DRWN	APPD
B	E6315	REDRAWN. CHANGED TWO 2-POSITION TERMINAL BLOCKS FOR THE SWITCH STATUS AND I&W OUTPUTS TO ONE 4-POSITION TERMINAL BLOCK. CHANGED AWG RATING FROM 16-26 TO 14-26.	8/6/18	SR	JCG
REVISION HISTORY					

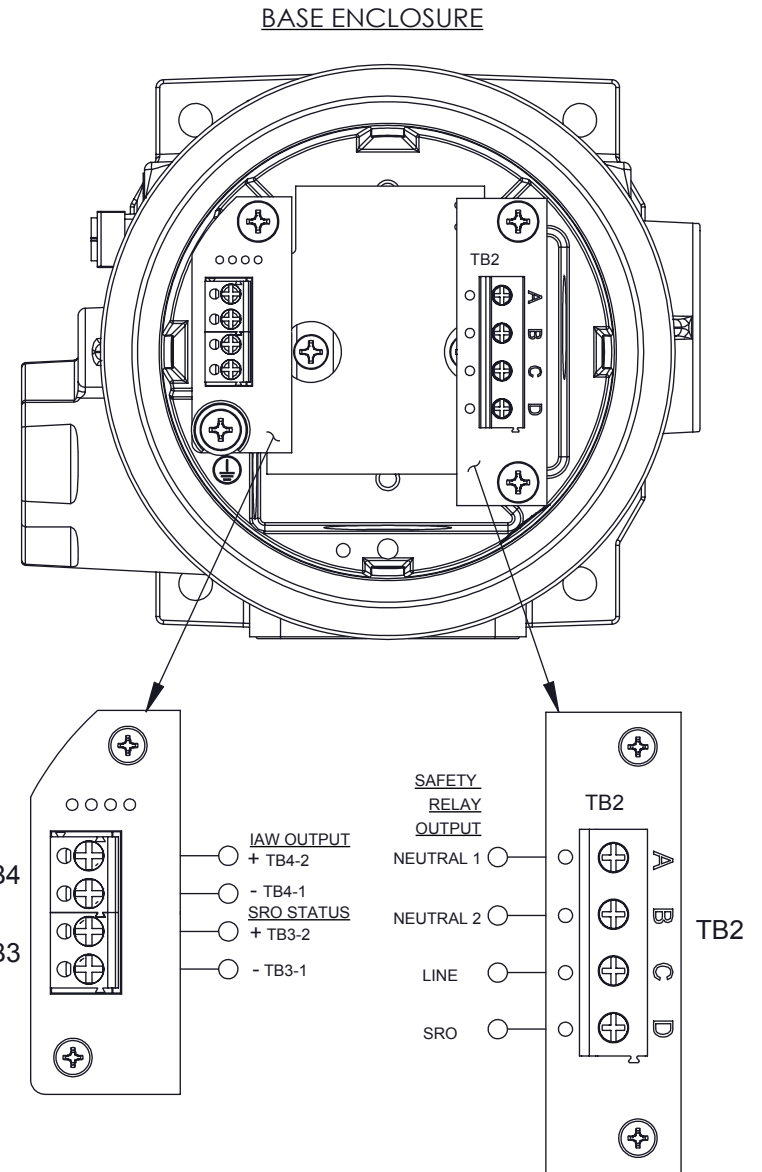
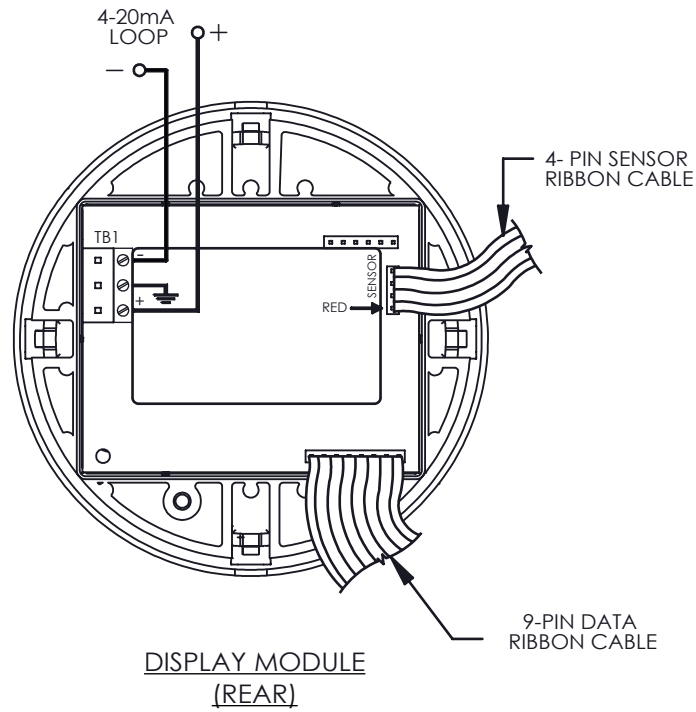
UNLESS OTHERWISE SPECIFIED DIMENSIONS & TOLERANCES ARE IN INCHES (MM) INTERPRET PER ASME Y14.5M-2009

**STANDARD TOLERANCES**

DECIMALS	ANGLES
X ± 0.03	± 1/2°
XX ± 0.01	FRACTIONS
XXX ± 0.005	± 1/64

SIZE <b>A</b>	DRAWING NO. <b>14054</b>	REV <b>B</b>
SCALE: 1:1		DO NOT SCALE THIS DRAWING
SHEET 1 OF 2		

# 2SLP48 WIRING DIAGRAM



THIS DOCUMENT IS PROPRIETARY PROPERTY OF UNITED ELECTRIC CONTROLS. UNAUTHORIZED USE IS STRICTLY PROHIBITED.

**THIRD ANGLE PROJECTION**

UNLESS OTHERWISE SPECIFIED DIMENSIONS & TOLERANCES ARE IN INCHES (MM) INTERPRET PER ASME Y14.5M-2009

**STANDARD TOLERANCES**

DECIMALS	ANGLES
X ± 0.03	± 1/2°
XX ± 0.01	FRACTIONS ± 1/64
XXX ± 0.005	

**UE UNITED ELECTRIC CONTROLS**  
LEADERS IN SAFETY, ALARM & SHUTDOWN

180 Dexter Avenue  
Watertown, MA. 02472  
617-926-1000  
www.ueonline.com

SIZE	DRAWING NO.	REV
<b>A</b>	<b>14054</b>	<b>B</b>
SCALE: 1:1 DO NOT SCALE THIS DRAWING		SHEET 2 OF 2