

**SPECIFICATIONS:**

(SPECIFICATIONS AT 25°C (77°F) AND NOMINAL VOLTAGE UNLESS OTHERWISE NOTED).

**MECHANICAL:**

WETTED MATERIALS: 316 STAINLESS STEEL  
ENCLOSURE: TYPE 360 ALUMINUM; EPOXY POWDER COATED

**ELECTRICAL:**

**ELECTRICAL CONNECTIONS:**

POWER SUPPLY: 3 POSITION TERMINAL BLOCK, 22-14 AWG WIRE  
POWER INPUT: 4-20mA LOOP POWERED (20-40 Vdc)  
(REFERENCE I&M FOR ALLOWABLE POWER SUPPLY AND LOAD LIMITS)

SAFETY RELAY OUTPUT (SWITCH OUTPUT):  
4-POSITION TERMINAL BLOCK, 14 - 20 AWG WIRE  
250 VAC @ 5A

I/AW OUTPUT AND SWITCH STATUS OUTPUT:  
4-POSITION TERMINAL BLOCK, 14 - 26 AWG WIRE  
30VDC @20mA MAX.

MODEL TLX	SHEATH LENGTH	
	INCHES	[cm]
TL1	4"	[10.1]
TL2	6"	[15.2]
TL3	10"	[25.4]

THIS DOCUMENT IS PROPRIETARY PROPERTY OF UNITED ELECTRIC CONTROLS. UNAUTHORIZED USE IS STRICTLY PROHIBITED.

APPROVALS	DATE
DRAWN BY: A. KARLGREN	11/22/2013
CHECKED BY: SR	11/22/2013
APPROVED BY: AJC	11/22/2013

**UE UNITED ELECTRIC CONTROLS**  
LEADERS IN SAFETY, ALARM & SHUTDOWN  
180 Dexter Avenue  
Watertown, MA. 02472  
617-926-1000  
www.ueonline.com

THIRD ANGLE PROJECTION

TITLE:  
**2SLP47  
LOCAL WELDED TEMP.  
SAFETY XMITER**

UNLESS OTHERWISE SPECIFIED  
DIMENSIONS & TOLERANCES  
ARE IN INCHES (MM)  
INTERPRET PER ASME Y14.5M-2009

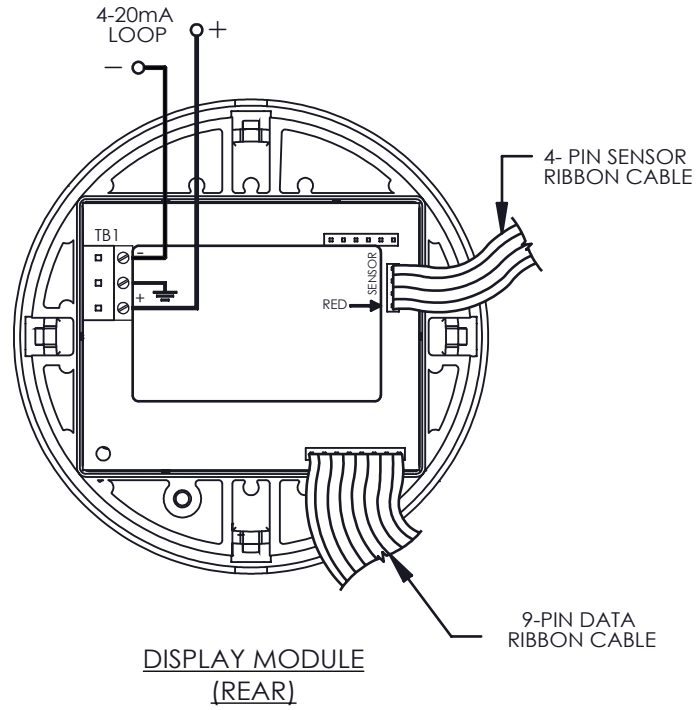
**STANDARD TOLERANCES**

DECIMALS	ANGLES
X ± 0.03	± 1/2°
XX ± 0.01	FRACTIONS
XXX ± 0.005	± 1/64

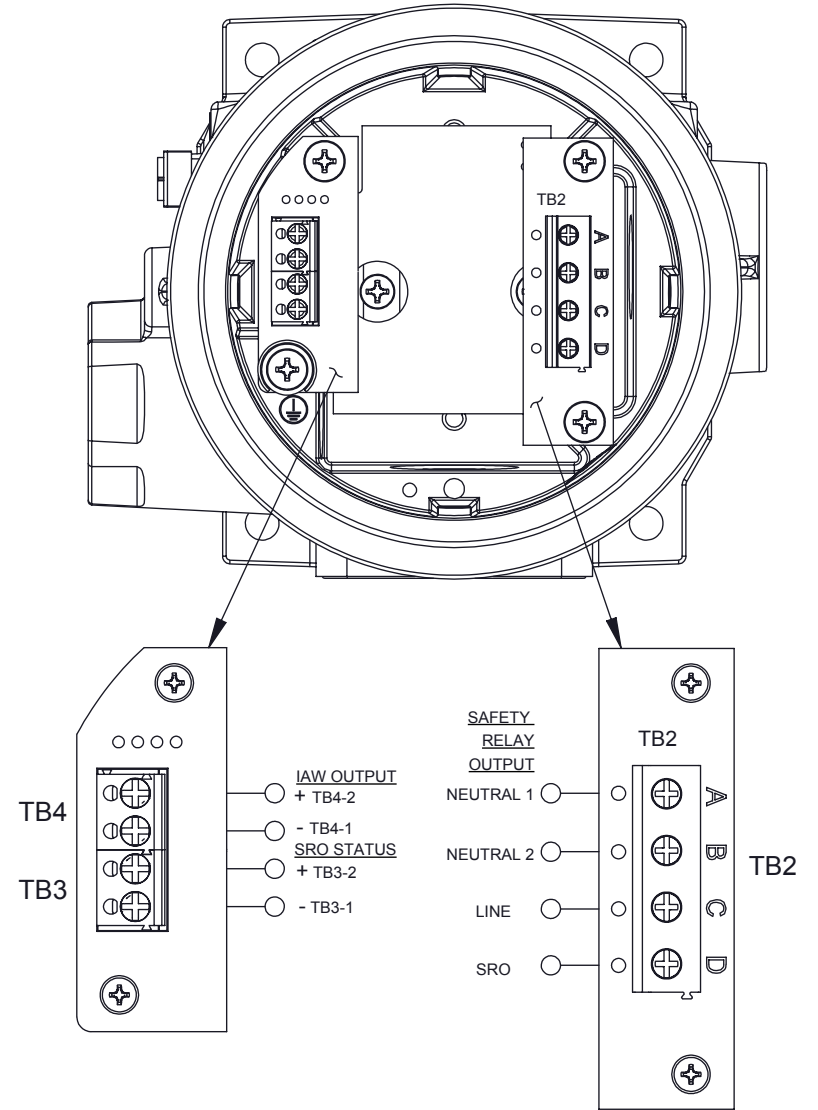
SIZE <b>A</b>	DRAWING NO. <b>14007</b>	REV <b>G</b>
------------------	-----------------------------	-----------------

REV	ECN#	DESCRIPTION	DATE	DRWN	APPD
G	E6315	REDRAWN. CHANGED TWO 2-POSITION TERMINAL BLOCKS FOR THE SWITCH STATUS AND I/AW OUTPUTS TO ONE 4-POSITION TERMINAL BLOCK. CHANGED AWG RATING FROM 16-26 TO 14-26.	8/3/18	SR	JCG

# 2SLP47 WIRING DIAGRAM



## BASE ENCLOSURE



THIS DOCUMENT IS PROPRIETARY PROPERTY OF UNITED ELECTRIC CONTROLS. UNAUTHORIZED USE IS STRICTLY PROHIBITED.

**THIRD ANGLE PROJECTION**

UNLESS OTHERWISE SPECIFIED DIMENSIONS & TOLERANCES ARE IN INCHES (MM) INTERPRET PER ASME Y14.5M-2009

**STANDARD TOLERANCES**

DECIMALS	ANGLES
X ± 0.03	± 1/2°
XX ± 0.01	FRACTIONS ± 1/64
XXX ± 0.005	

**UE UNITED ELECTRIC CONTROLS**  
LEADERS IN SAFETY, ALARM & SHUTDOWN

180 Dexter Avenue  
Watertown, MA. 02472  
617-926-1000  
www.ueonline.com

SIZE	DRAWING NO.	REV
<b>A</b>	<b>14007</b>	<b>G</b>
SCALE: 1:1 DO NOT SCALE THIS DRAWING		SHEET 2 OF 2