



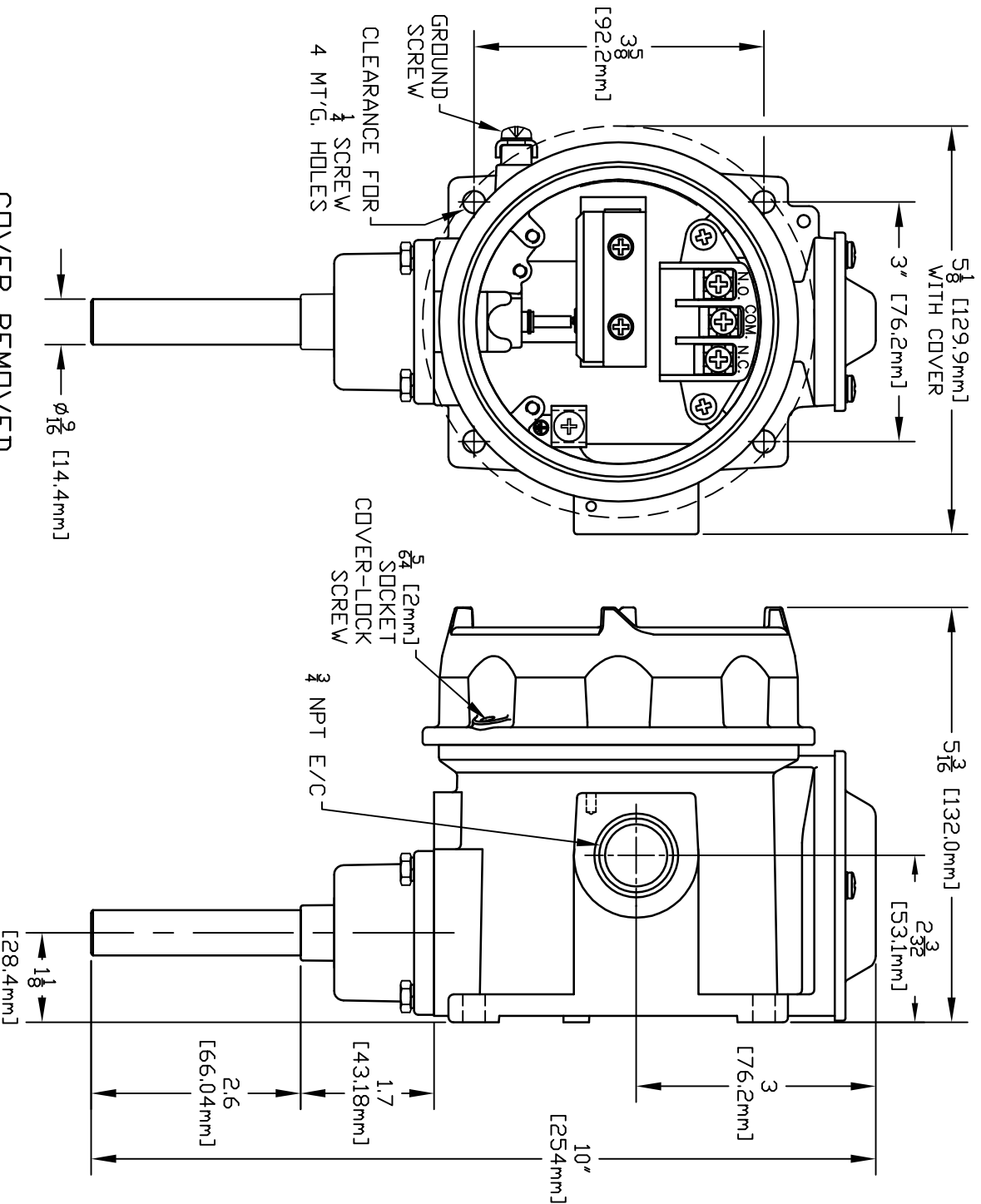
APPROVALS:
 CULUS LISTED
 CLASS I, DIVISION 1,
 GROUPS B, C & D
 CLASS II, DIVISION 1,
 GROUPS E, F & G
 CLASS III
 -50°C ≤ Tamb. ≤ +71°C
 CLASS I, ZONE 1, GROUP IIB + H₂ T6
 ENCLOSURE TYPE 4X, 7, 9

ATEX DIRECTIVE 94/9/EC
 II 2 G Ex d IIC T6
 II 2 D Ex tD A21 IP66 T+85°C
 Tamb = -40°C TD +75°C

CE COMPLIANT TO
 APPLICABLE DIRECTIVES)

I & M SHEET IMT120

SPECIFICATIONS:
 UE TYPE: B121-13272
 CUSTOMER NAME: UEC STD.
 RANGE: 15 TD 140°F WITH °C EQUIV.
 E/R: 22 AMPS, 480 VAC.
 INVERTED BELLOWS ASS'Y, 304 ST/ST
 SWITCH, SPDT
 DIFFERENTIAL, 6°F MAX.
 CALIBRATION: SET SWITCH TO
 TRANSFER @ 40±3°F ON RISE.
 CALIBRATION ACCURACY,
 ±3°F BETWEEN THE LIMITS OF
 40°F AND 78°F INCREASING TO
 ±6°F BETWEEN THE LIMITS OF
 15°F TO 39°F AND 79°F TO 140°F.
 STORAGE TEMPERATURE LIMITS FOR
 CONTROL, -65°F TO +160°F.



COVER REMOVED
 IN FRONT VIEW

REV	DESCRIPTION	DATE	BY	APPD
B	UPDATED ENCLOSURE. ECH#E4345.	2-17-12	RCI	SJM
A	FIRST ISSUE. REPLACES SPEC. SHEET.	8-11-09	S.R.	RM
SYM	DESCRIPTION	DATE	DWN	APPD

ORIGINAL DATE	8-11-09
DRWN	SR
CHKD	PLW
APPD	R. MCCAREY
UNLESS OTHERWISE SPECIFIED DIMENSIONS ARE IN INCHES	

TITLE	UE STD HEATRACE
SCALE	1:2

DF 001 REV. C	
DWG NO	A-13949
UNITED ELECTRIC CONTROLS COMPANY WATERTOWN * MASSACHUSETTS	