

SPECIFICATIONS:

(SPECIFICATIONS AT 25°C (77°F) AND NOMINAL VOLTAGE UNLESS OTHERWISE NOTED).

MECHANICAL:

WETTED MATERIALS: 316 STAINLESS STEEL
 ENCLOSURE: TYPE 360 ALUMINUM; EPOXY POWDER COATED

ELECTRICAL:

ELECTRICAL CONNECTIONS:
 POWER SUPPLY: 3 POSITION TERMINAL BLOCK, 22-14 AWG WIRE
 4-20 mA LOOP: 6 POSITION TERMINAL BLOCK, 26-16 AWG WIRE
 SWITCH OUTPUTS: 4 POSITION TERMINAL BLOCK, 20-10 AWG WIRE

SWITCH SPECS:
 POWER INPUT: 8 WIRE 24 VDC EXTERNAL POWER SUPPLY (10-30 VDC) @ 30mA
 SWITCH OUTPUT RATINGS:
 8X2D42 SW1: 75-250 VAC, 1.5 A MAX. CONT., DERATE 10% PER 10°C ABOVE 21°C
 SW2: 75-250 VAC, 1.5 A MAX. CONT., DERATE 10% PER 10°C ABOVE 21°C
 8X2D44 SW1: 75-250 VAC, 1.5 A MAX. CONT., DERATE 10% PER 10°C ABOVE 21°C
 SW2: 140 VAC/DC, 0.6 A MAX. CONT., DERATE 8% PER 10°C ABOVE 21°C
 8X2D45 SW1: 140 VAC/DC, 0.6 A MAX. CONT., DERATE 8% PER 10°C ABOVE 21°C
 SW2: 140 VAC/DC, 0.6 A MAX. CONT., DERATE 8% PER 10°C ABOVE 21°C

APPROVALS:

cULus listed
 CLASS I, DIVISION 1, GROUPS A, B, C & D;
 CLASS II, DIVISION 1, GROUPS E, F & G; CLASS III
 CLASS I, ZONE 1, AEx d IIC T5; CLASS 1, ZONE 1, Ex d IIC T5
 Tamb = -40°C TO +80°C (-40°F TO 176°F)
 ENCLOSURE TYPE 4X; IP66

ATEX approved
 II 2 G Ex d IIC T5
 II 2 D Ex ID A21 IP66 T+90C
 DEMKO 09 ATEX 0813748X
 Tamb = -40°C TO +80°C (-40°F TO 176°F)

IECEx approved
 IECEx UL 08.0017
 Ex d IIC T5
 Ex ID A21 IP66 T+90C
 Tamb. = -40°C TO +80°C (-40°F TO 176°F)

MODEL TTC	TEMPERATURE RANGE -	EXTENSION LENGTH	
		INCHES	[cm]
N-U-N LENGTH	-40 TO 900°F / -40 TO 482°C	4"-10" IN 1 INCH INCREMENTS	[10.1-25.4]
SHEATH LENGTH "L"	-40 TO 900°F / -40 TO 482°C	UP TO 60" MAX	[152.4] MAX

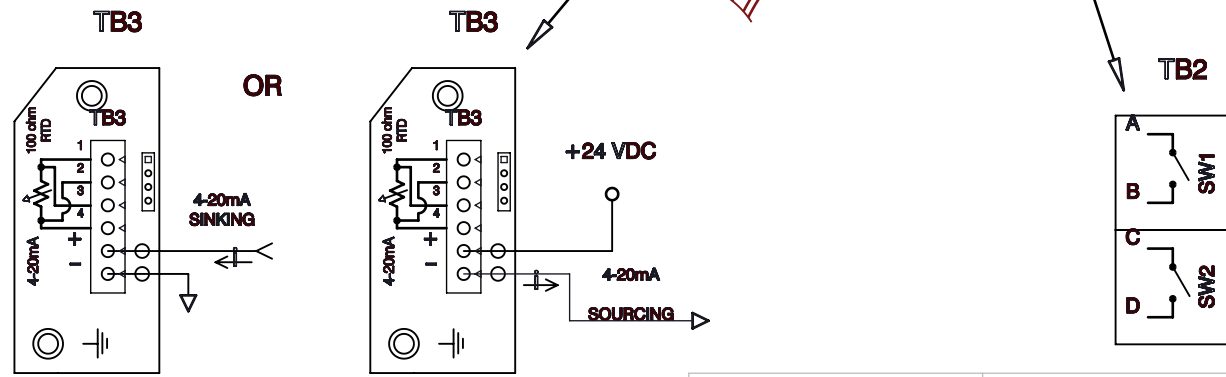
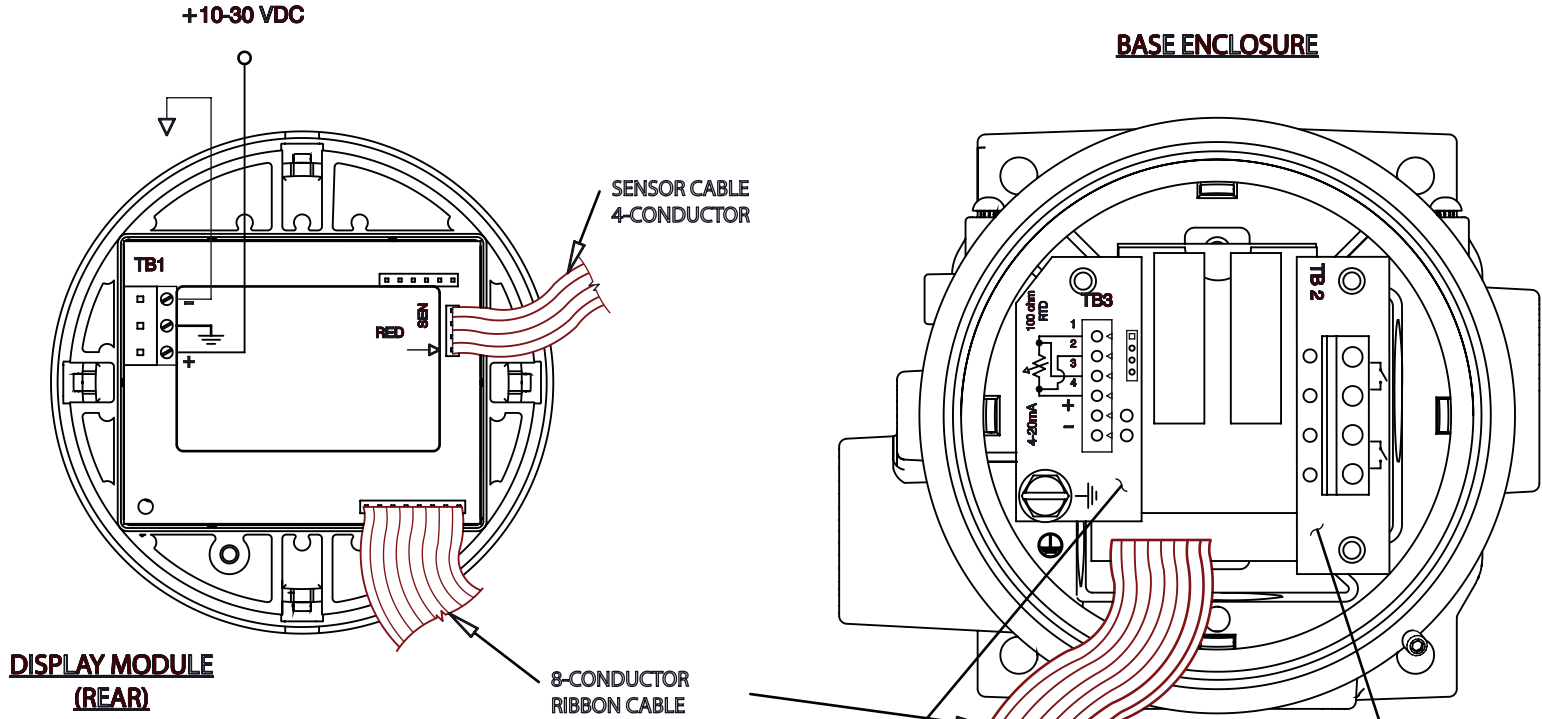
ORIGINAL DATE	4-7-09
DRWN	RAM
CHKD	PLW
APPD	R. McCAREY
UNLESS OTHERWISE SPECIFIED DIMENSIONS ARE IN INCHES TOLERANCES ON FRACTIONS ±1/64	
2 PLACE DEC ±0.010	3 PLACE DEC ±0.005
ANGLES ±1/2°	
DO NOT SCALE THIS DRAWING	

TITLE	8X2D SPRING LOADED TEMP. SWITCH
USED ON:	SCALE 1:1

UE
 UNITED ELECTRIC CONTROLS COMPANY
 WATERTOWN * MASSACHUSETTS
 DWG NO Page 1 of 2
A-13945

THIS DOCUMENT IS PROPRIETARY PROPERTY OF UNITED ELECTRIC CONTROLS. UNAUTHORIZED USE IS STRICTLY PROHIBITED.	A	FIRST ISSUE. ECN#E3133	4-7-09	RAM	RAM
	REV.	DESCRIPTION	DATE	DRWN	APPD

RECOMMENDED WIRING SCHEME



ORIGINAL DATE	4-7-09
DRWN	RAM
CHKD	PLW
APPD	R. McCAREY
UNLESS OTHERWISE SPECIFIED DIMENSIONS ARE IN INCHES TOLERANCES ON FRACTIONS ±1/64 2 PLACE DEC 3 PLACE DEC ANGLES ±0.010 ±0.005 ±1/2°	
DO NOT SCALE THIS DRAWING	

TITLE	8X2D SPRING LOADED TEMP. SWITCH
USED ON:	
SCALE	1:1

UNITED ELECTRIC CONTROLS COMPANY
WATERTOWN * MASSACHUSETTS

DWG NO A-13945 Page 2 of 2

THIS DOCUMENT IS PROPRIETARY PROPERTY OF UNITED ELECTRIC CONTROLS. UNAUTHORIZED USE IS STRICTLY PROHIBITED.

A	FIRST ISSUE. ECN#E3133	4-7-09	RAM	RAM
REV.	DESCRIPTION	DATE	DRWN	APPD