

A-13930

DISPLAY CAN BE ROTATED 180° BOTH DIRECTIONS

**SPECIFICATIONS:**

- MECHANICAL:**  
 WETTED MATERIALS: 316 STAINLESS STEEL  
 ENCLOSURE: TYPE 360 ALUMINUM; EPOXY POWDER COATED
- ELECTRICAL:**  
 ELECTRICAL CONNECTION:  
 3 POSITION TERMINAL BLOCK, 22-14 AWG Max
- SWITCH SPECS:**  
 POWER INPUT: 2 WIRE 120 V DISCRETE INPUT POWERED (90-130 VAC/VDC) @ 1mA  
 SWITCH OUTPUT: 90 TO 130 VAC/VDC @ 0.1A, 3.75mA MIN. LOAD REQUIRED  
 SWITCH STATE MAX : 90-130 VAC/VDC @ 1mA (V. OPEN)  
 13 VAC/VDC @ 100mA (V. CLOSED)

**APPROVALS:**

- cULus LISTED  
 CLASS I, DIVISION 1, GROUPS A, B, C & D;  
 CLASS II, DIVISION 1, GROUPS E, F & G; CLASS III  
 CLASS I, ZONE 1, AEx d IIC T5; CLASS 1, ZONE 1, Ex d IIC T5  
 Tamb = -40°C TO +85°C (-40°F TO 185°F)  
 ENCLOSURE TYPE 4X; IP66
- ATEX APPROVED  
 II 2 G Ex d IIC T5  
 II 2 D Ex td A21 IP66 T+90C  
 DEMKO 09 ATEX 0813748X  
 Tamb = -40°C TO +85°C (-40°F TO 185°F)
- IECEx APPROVED  
 IECEx UL 08.0017  
 Ex d IIC T5  
 Ex td A21 IP66 T+90C  
 Tamb. = -40°C TO +85°C (-40°F TO 185°F)

MODEL TTC	TEMPERATURE RANGE	EXTENSION LENGTH	
		INCHES	[cm]
N-U-N LENGTH	-40 TO 900°F / -40 TO 482°C	4"-10" IN 1 INCH INCREMENTS	[10.1-25.4]
SHEATH LENGTH "L"	-40 TO 900°F / -40 TO 482°C	UP TO 60" MAX	[152.4] MAX

THIS DOCUMENT IS PROPRIETARY PROPERTY OF UNITED ELECTRIC CONTROLS. UNAUTHORIZED USE IS STRICTLY PROHIBITED.

REV.	DESCRIPTION	DATE	DRWN	APPD
B	SEE PG. 2 OF 2. ECN#E3750	9-15-10	SR	RAM
A	FIRST ISSUE. ECN#E3133	4-7-09	RAM	RAM

ORIGINAL DATE	4-7-09
DRWN	RAM
CHKD	PLW
APPD	R. McCAREY
UNLESS OTHERWISE SPECIFIED DIMENSIONS ARE IN INCHES	
TOLERANCES ON FRACTIONS ±1/64	
2 PLACE DEC	3 PLACE DEC
±0.010	±0.005
ANGLES	±1/2°
DO NOT SCALE THIS DRAWING	

TITLE  
**2X3A SPRING LOADED TEMP. SWITCH**

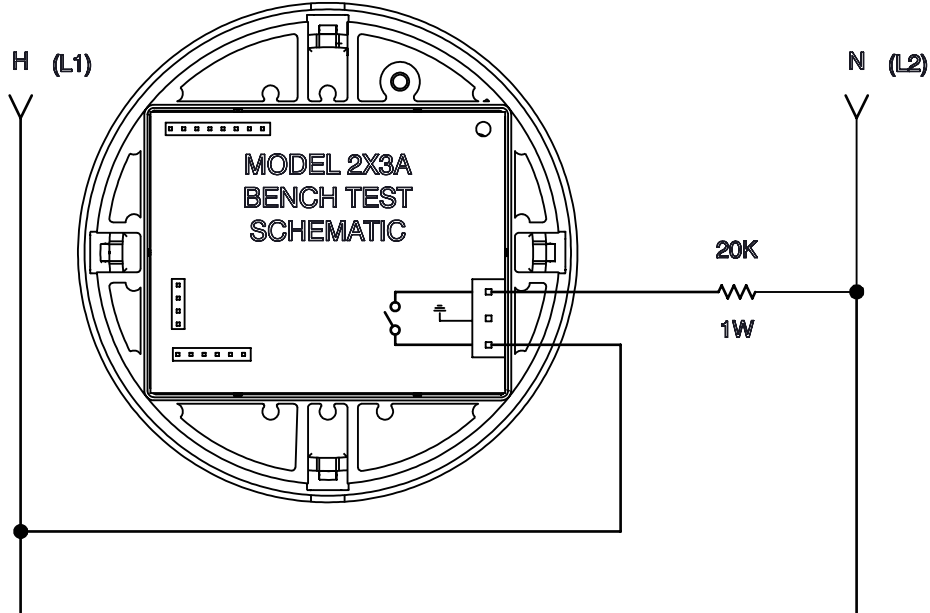
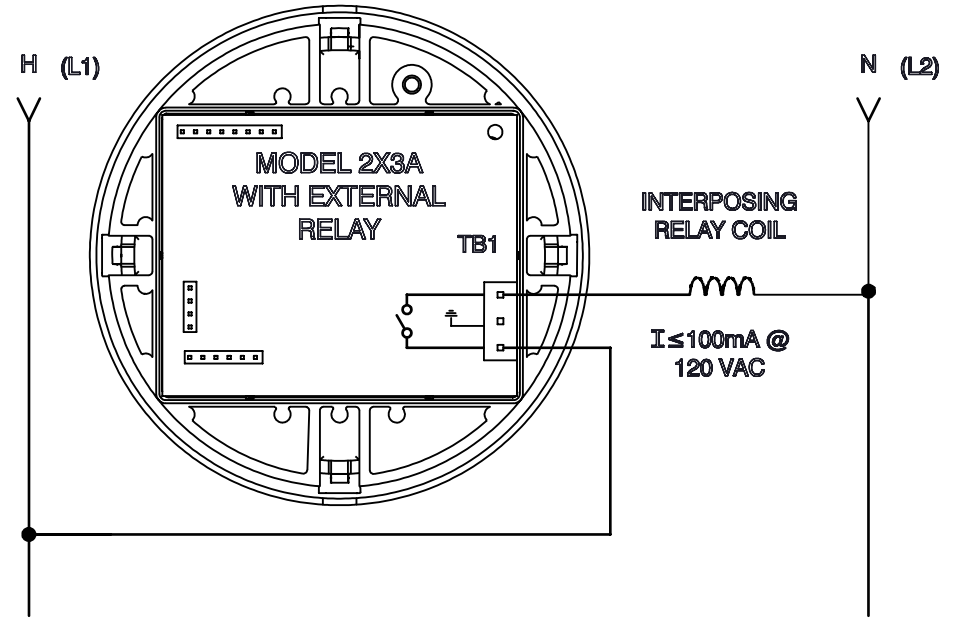
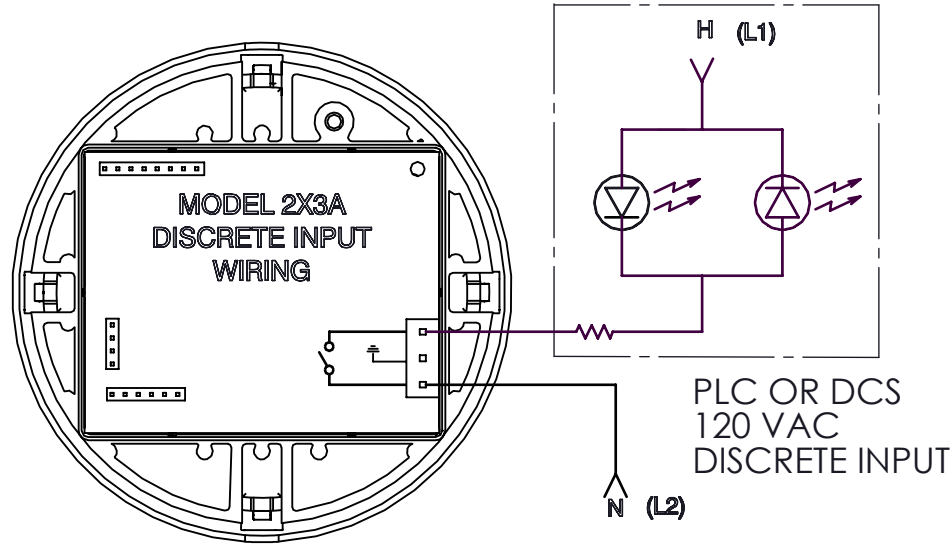
USED ON:  
 SCALE 1:1

UNITED ELECTRIC CONTROLS COMPANY  
 WATERTOWN \* MASSACHUSETTS

DWG NO Page 1 of 2  
**A-13930**

## RECOMMENDED WIRING SCHEMES

A-13930



ORIGINAL DATE	4-7-09
DRWN	RAM
CHKD	PLW
APPD	R. McCAREY

TITLE  
**2X3A SPRING  
LOADED  
TEMP.  
SWITCH**

**UE**  
UNITED ELECTRIC  
CONTROLS COMPANY  
WATERTOWN \* MASSACHUSETTS

UNLESS OTHERWISE SPECIFIED  
DIMENSIONS ARE IN INCHES  
TOLERANCES ON FRACTIONS  $\pm 1/64$   
2 PLACE DEC 3 PLACE DEC ANGLES  
 $\pm 0.010$   $\pm 0.005$   $\pm 1/2^\circ$

USED ON:

SCALE 1:1

DWG NO Page 2 of 2

**A-13930**

THIS DOCUMENT IS PROPRIETARY PROPERTY OF  
UNITED ELECTRIC CONTROLS.  
UNAUTHORIZED USE IS STRICTLY PROHIBITED.

REV.	DESCRIPTION	DATE	DRWN	APPD
B	REVISED "PLC OR DCS" WIRING DIAGRAM TO BE VISIBLE IN PDF FILE. ECN#E3750	9-15-10	SR	RAM
A	FIRST ISSUE. ECN#E3133	4-7-09	RAM	RAM

DO NOT SCALE THIS DRAWING