

SPECIFICATIONS:

(SPECIFICATIONS AT 25°C (77°F) AND NOMINAL VOLTAGE UNLESS OTHERWISE NOTED.)

MECHANICAL:

WETTED MATERIALS: 316 st/st BULB
304 st/st CABLE

WEIGHT: 1.40 LBS. (0.63 kg)

ENCLOSURE: TYPE 380 ALUMINUM; EPOXY POWDER COATED;
SHALL NOT CONTAIN, BY MASS MORE THAN 6% OF MAGNESIUM.

ELECTRICAL:

ELECTRICAL CONNECTION:

3 POSITION TERMINAL BLOCK

SWITCH SPECS.:

OFF (OPEN): 30 TO 56 VDC @ 1.0mA MAX.

ON (CLOSED): 5.0 VDC @ 40mA MAX.

SWITCH PROTECTION:

SHORT CIRCUIT

REVERSE POLARITY

OVER-VOLTAGE 56 VDC

OPERATING:

OVERALL ACCURACY:

±1% OF MAX. OPERATING RANGE VALUE

SET POINT REPEATABILITY:

±0.2% OF MAX. OPERATING RANGE VALUE

LONG TERM STABILITY:

±0.25% OF RANGE PER YEAR, MAX.

AMBIENT TEMPERATURE:

OPERATING: -40°C TO 85°C (-40°F TO 185°F)

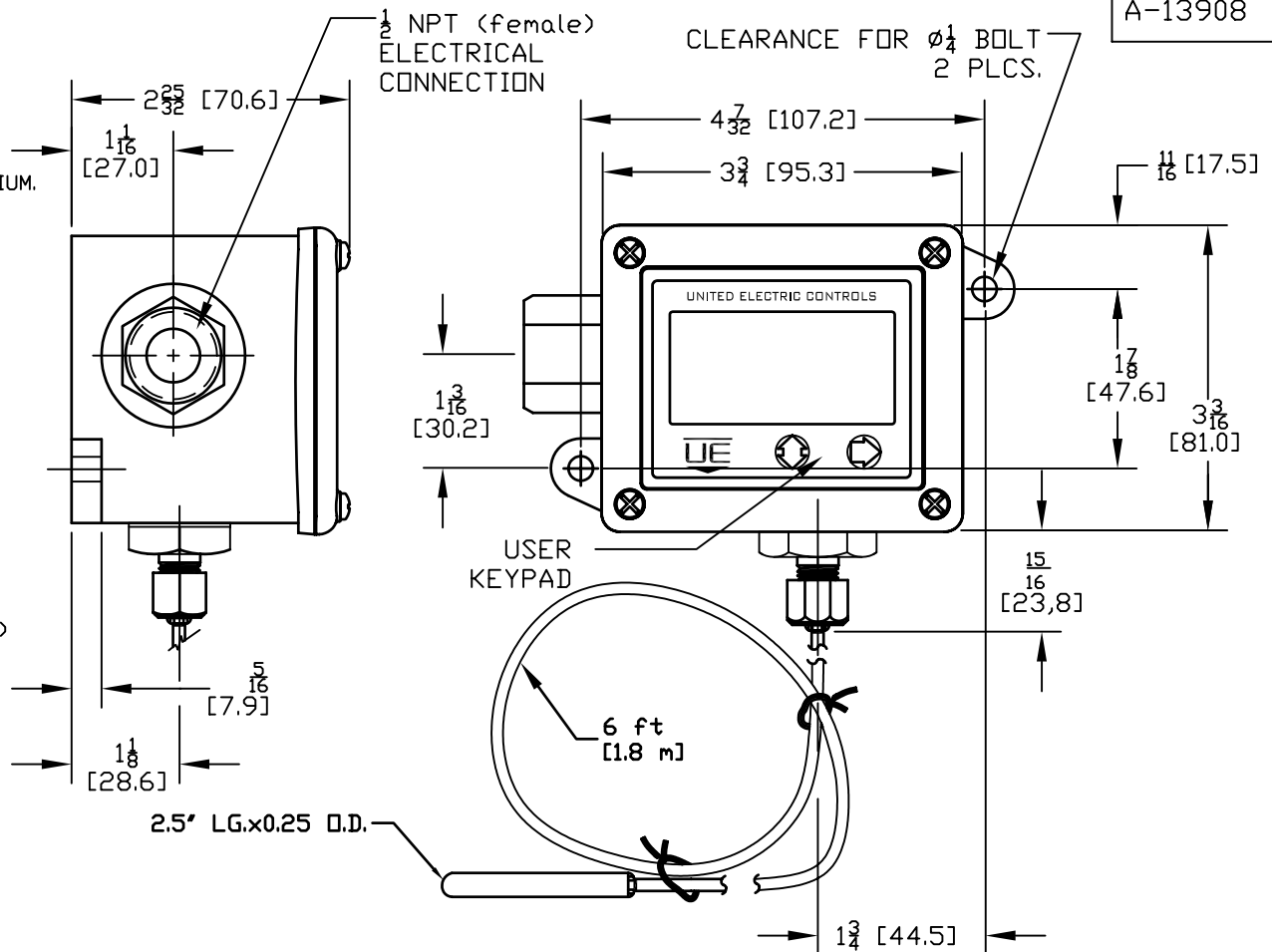
LCD VISIBILITY TEMP: -12°C TO 80°C (10°F TO 176°F)

STORAGE: -40°C TO 85°C (-40°F TO 185°F)

MEDIA TEMPERATURE:

-184°C TO 538°C (-300°F TO 1000°F)

REFER TO NAMEPLATE FOR OPERATING TEMPERATURE RANGE.



A-13908

MODEL Txx	LENGTH	OPER. RANGE
TH1	6'	-50 TO 1000°F
THC	0-30'	
TC1	6'	-300 TO 200°F
TCC	0-30'	

TERMINAL BLOCK	
FUNCTION	POSITION
SWITCH NEGATIVE	-
EARTH/CHASSIS GROUND	
SWITCH POSITIVE	+

ORIGINAL DATE 7/31/08	TITLE	ONE SERIES 2W4DOOTxx	DF001D
DRWN PLW	REMOTE HIGH TEMPERATURE SINGLE SWITCH		
CHKD DWD			UNITED ELECTRIC CONTROLS COMPANY WATERTOWN * MASSACHUSETTS
APPD DW			
UNLESS OTHERWISE SPECIFIED DIMENSIONS ARE IN INCHES		SCALE .5:1	DWG NO A-13908
DO NOT SCALE THIS DRAWING			

A	FIRST ISSUE. ECN#E2811	7/31/08	PLW	DW
SYM	DESCRIPTION	DATE	DWN	APPD
REVISIONS				