

SPECIFICATIONS:

(SPECIFICATIONS AT 25°C (77°F) AND NOMINAL VOLTAGE UNLESS OTHERWISE NOTED.)

MECHANICAL:

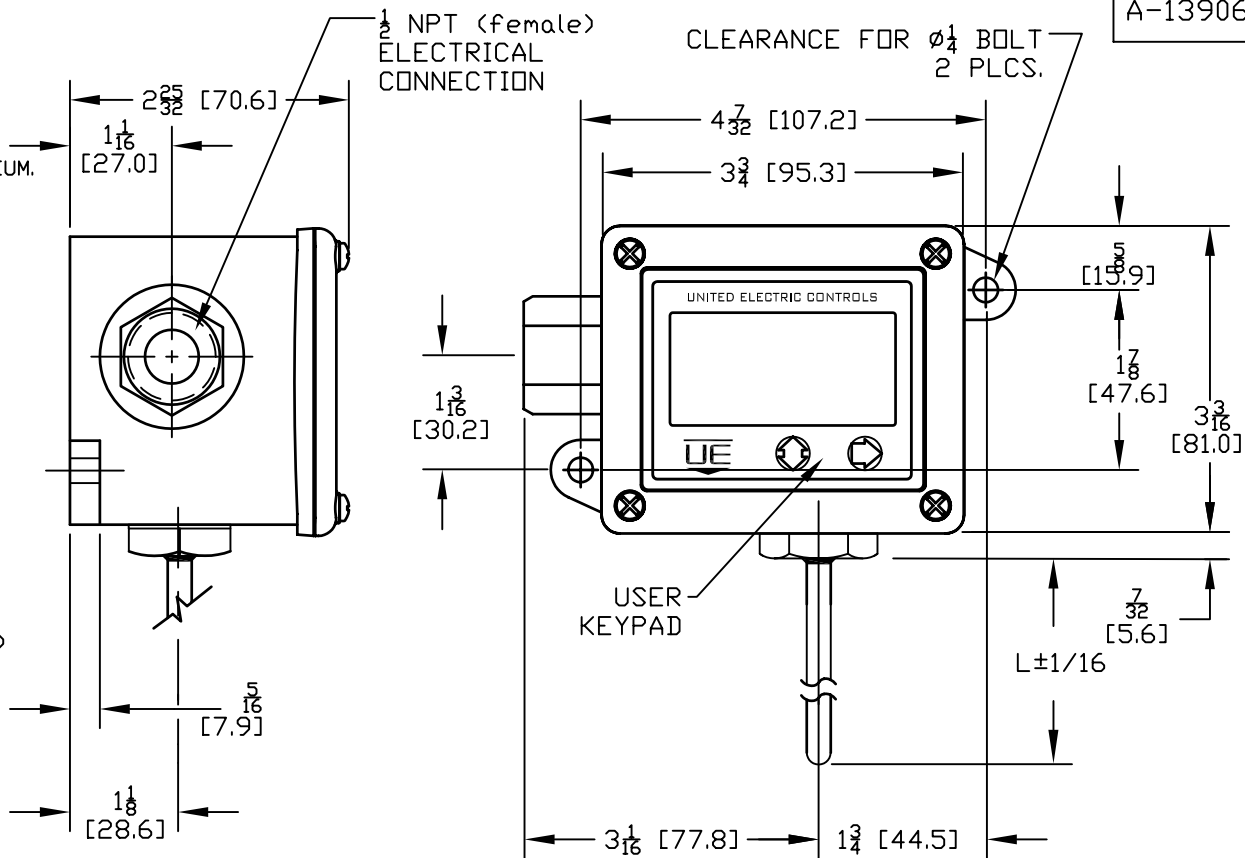
WETTED MATERIALS: 316 st/st
 WEIGHT: 1.40 LBS. (0.63 kg)
 ENCLOSURE: TYPE 380 ALUMINUM; EPOXY POWDER COATED;
 SHALL NOT CONTAIN, BY MASS MORE THAN 6% OF MAGNESIUM.

ELECTRICAL:

ELECTRICAL CONNECTION:
 3 POSITION TERMINAL BLOCK
 SWITCH SPECS.:
 OFF (OPEN): 30 TO 56 VDC @ 1.0mA MAX.
 ON (CLOSED): 5.0 VDC @ 40mA MAX.
 SWITCH PROTECTION:
 SHORT CIRCUIT
 REVERSE POLARITY
 OVER-VOLTAGE 56 VDC

OPERATING:

OVERALL ACCURACY:
 ±1% OF MAX. OPERATING RANGE VALUE
 SET POINT REPEATABILITY:
 ±0.2% OF MAX. OPERATING RANGE VALUE
 LONG TERM STABILITY:
 ±0.25% OF RANGE PER YEAR, MAX.
 AMBIENT TEMPERATURE:
 OPERATING: -40°C TO 85°C (-40°F TO 185°F)
 LCD VISIBILITY TEMP: -12°C TO 80°C (10°F TO 176°F)
 STORAGE: -40°C TO 85°C (-40°F TO 185°F)
 MEDIA TEMPERATURE:
 -45°C TO 232°C (-50°F TO 450°F)
 REFER TO NAMEPLATE FOR OPERATING TEMPERATURE RANGE.



MODEL Lx	DIM 'L'	
	in.	[mm]
L1	4	[102]
L2	6	[153]
L3	10	[254]

TERMINAL BLOCK	
FUNCTION	POSITION
SWITCH NEGATIVE	-
EARTH/CHASSIS GROUND	\perp
SWITCH POSITIVE	+

SYM	DESCRIPTION	DATE	DWN	APPD
A	FIRST ISSUE. ECN# E2811	7/31/08	PLW	DW
REVISIONS				

ORIGINAL DATE	7/31/08
DRWN	PLW
CHKD	DWD
APPD	DW
UNLESS OTHERWISE SPECIFIED DIMENSIONS ARE IN INCHES	
DO NOT SCALE THIS DRAWING	

TITLE	ONE SERIES 2W4D00TLX LOCAL TEMPERATURE SINGLE SWITCH
SCALE	.5:1

DF001D	UNITED ELECTRIC CONTROLS COMPANY WATERTOWN * MASSACHUSETTS
DWG NO	A-13906