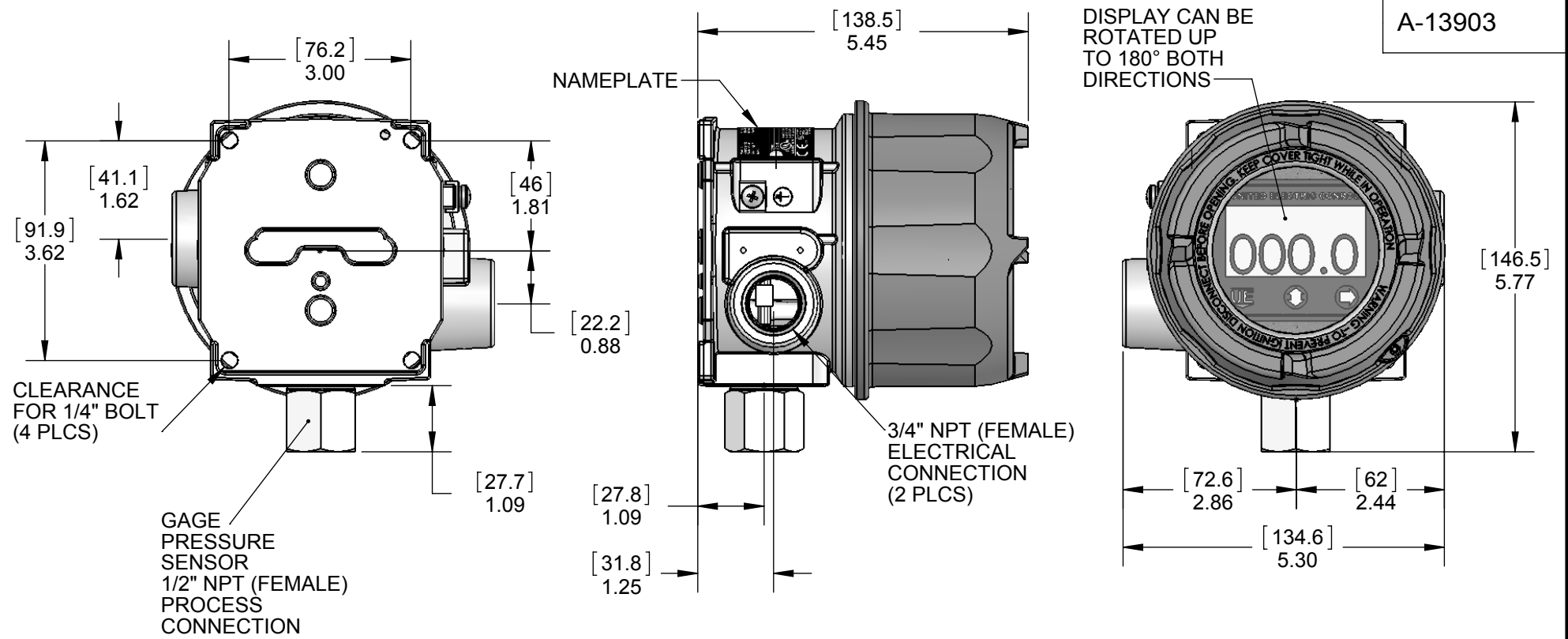


A-13903



**SPECIFICATIONS:**

(SPECIFICATIONS AT 25°C (77°F) AND NOMINAL VOLTAGE UNLESS OTHERWISE NOTED).

**MECHANICAL:**

WETTED MATERIALS: 316 STAINLESS STEEL  
ENCLOSURE: TYPE 360 ALUMINUM; EPOXY POWDER COATED

**ELECTRICAL:**

ELECTRICAL CONNECTIONS:  
POWER SUPPLY: 3 POSITION TERMINAL BLOCK, 22-14 AWG WIRE  
4-20 mA LOOP: 6 POSITION TERMINAL BLOCK, 26-16 AWG WIRE  
SWITCH OUTPUTS: 4 POSITION TERMINAL BLOCK, 20-10 AWG WIRE

SWITCH SPECS:  
POWER INPUT: 8 WIRE 24 VDC EXTERNAL POWER SUPPLY (10-30 VDC) @ 30mA  
SWITCH OUTPUT RATINGS:  
8X2D42 SW1: 75-250 VAC, 1.5 A MAX. CONT., DERATE 10% PER 10°C ABOVE 21°C  
SW2: 75-250 VAC, 1.5 A MAX. CONT., DERATE 10% PER 10°C ABOVE 21°C  
8X2D44 SW1: 75-250 VAC, 1.5 A MAX. CONT., DERATE 10% PER 10°C ABOVE 21°C  
SW2: 140 VAC/DC, 0.6 A MAX. CONT., DERATE 8% PER 10°C ABOVE 21°C  
8X2D45 SW1: 140 VAC/DC, 0.6 A MAX. CONT., DERATE 8% PER 10°C ABOVE 21°C  
SW2: 140 VAC/DC, 0.6 A MAX. CONT., DERATE 8% PER 10°C ABOVE 21°C

**APPROVALS:**

**cULus listed**  
CLASS I, DIVISION 1, GROUPS A, B, C & D;  
CLASS II, DIVISION 1, GROUPS E, F & G; CLASS III  
CLASS I, ZONE 1, AEx d IIC T3/T5\*; CLASS 1, ZONE 1, Ex d IIC T3/T5\*  
Tamb = -40°C TO +80°C (-40°F TO 176°F)  
ENCLOSURE TYPE 4X; IP66

**ATEX approved**  
II 2 G Ex d IIC T3/T5\*  
II 2 D Ex tD A21 IP66 T+90C  
DEMKO 09 ATEX 0813748X  
Tamb = -40°C TO +80°C (-40°F TO 176°F)

**IECEx approved**  
IECEx UL 08.0017  
Ex d IIC T3/T5\*  
Ex tD A21 IP66 T+90C  
Tamb. = -40°C TO +80°C (-40°F TO 176°F)

\* STRAIGHT PRESSURE SENSOR MODELS P10-P16 HAVE A TEMPERATURE CLASS OF T3. ALL OTHER MODELS HAVE A T5 TEMPERATURE CLASS.

MODEL PXX	OPERATING RANGE				MAX. OVER PRESSURE	
	LOW		HIGH		psi	bar
	psi	bar	psi	bar		
P06	-14.7	-1	30	2.1	60	4.1
P08	-14.7	-1	100	6.9	200	13.8
P10	0	0	5	0.3	10	0.7
P11	0	0	15	1.0	30	2.1
P12	0	0	30	2.1	60	4.1
P13	0	0	50	3.4	100	6.9
P14	0	0	100	6.9	200	13.8
P15	0	0	300	20.7	600	41.4
P16	0	0	500	34.5	1000	68.9
P17	0	0	1000	68.9	2000	137.9
P18	0	0	3000	206.8	6000	413.7
P19	0	0	4500	310.3	9000	620.6
P20	0	0	6000	413.6	12000	827.4

REV.	DESCRIPTION	DATE	DRWN	APPD
C	CORRECTED DIMENSIONS FOR ENCLOSURE REDESIGN. ECN# E5348	01/22/15	VIK	ASK
B	ADDED MODELS P06 & P08. ECN#E4890	8-21-13	SR	SJM
A	FIRST ISSUE. ECN#E3133	4-7-09	RAM	RAM

ORIGINAL DATE	4-7-09
DRWN	RAM
CHKD	PLW
APPD	R. McCAREY
UNLESS OTHERWISE SPECIFIED DIMENSIONS ARE IN INCHES	
TOLERANCES ON FRACTIONS ±1/64	
2 PLACE DEC	3 PLACE DEC
±0.010	±0.005
ANGLES ±1/2°	
DO NOT SCALE THIS DRAWING	

TITLE  
**8X2D GAGE PRESSURE SWITCH**

USED ON:  
SCALE 1:1

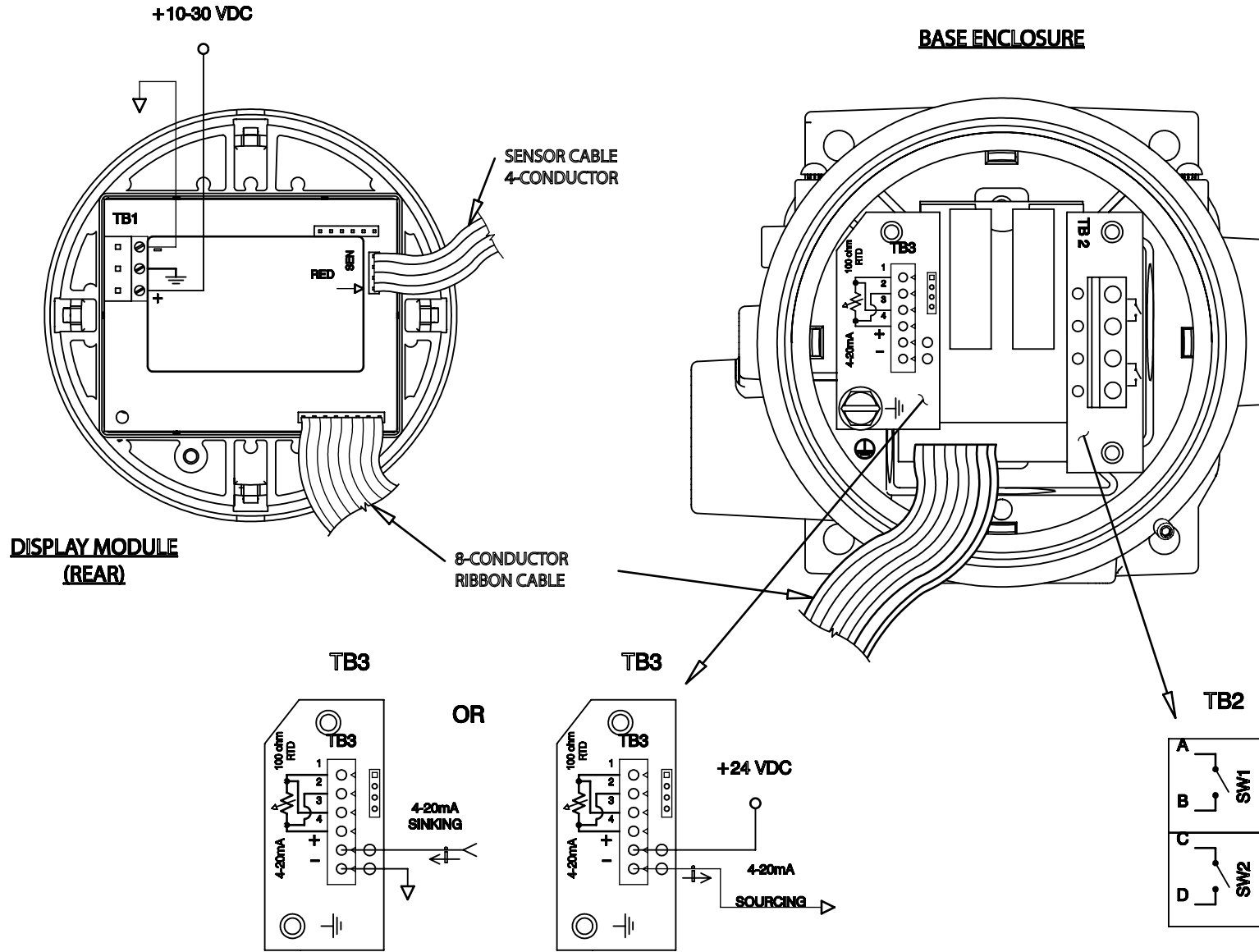
**UE**  
UNITED ELECTRIC CONTROLS COMPANY  
WATERTOWN \* MASSACHUSETTS

DWG NO Page 1 of 2  
**A-13903**

THIS DOCUMENT IS PROPRIETARY PROPERTY OF UNITED ELECTRIC CONTROLS. UNAUTHORIZED USE IS STRICTLY PROHIBITED.

# RECOMMENDED WIRING SCHEME

A-13903



ORIGINAL DATE	4-7-09
DRWN	RAM
CHKD	PLW
APPD	R. McCAREY
UNLESS OTHERWISE SPECIFIED DIMENSIONS ARE IN INCHES	
TOLERANCES ON FRACTIONS ±1/64	
2 PLACE DEC	3 PLACE DEC
±0.010	±0.005
ANGLES	±1/2°
DO NOT SCALE THIS DRAWING	

TITLE	8X2D GAGE PRESSURE SWITCH
USED ON:	
SCALE	1:1

**UE**  
 UNITED ELECTRIC CONTROLS COMPANY  
 WATERTOWN \* MASSACHUSETTS

DWG NO A-13903 Page 2 of 2

REV.	DESCRIPTION	DATE	DRWN	APPD
C	SEE PAGE 1 OF 2. ECN# E5348	01/22/15	VIK	ASK
B	SEE PG. 1 OF 2. ECN#E4890	8-21-13	SR	SJM
A	FIRST ISSUE. ECN#E3133	4-7-09	RAM	RAM

THIS DOCUMENT IS PROPRIETARY PROPERTY OF UNITED ELECTRIC CONTROLS. UNAUTHORIZED USE IS STRICTLY PROHIBITED.