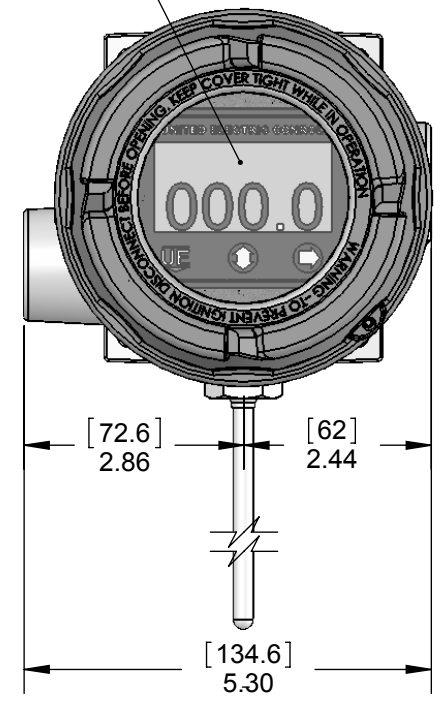


DISPLAY CAN BE ROTATED 180° BOTH DIRECTIONS



SPECIFICATIONS:

MECHANICAL:
 WETTED MATERIALS: 316 STAINLESS STEEL
 ENCLOSURE: TYPE 360 ALUMINUM; EPOXY POWDER COATED

ELECTRICAL:
 ELECTRICAL CONNECTION:
 3 POSITION TERMINAL BLOCK, 22-14 AWG Max
SWITCH SPECS:
 POWER INPUT: 2 WIRE 24 VDC DISCRETE INPUT POWERED (12-30 VDC) @750µA
 SWITCH OUTPUT: 12 TO 30 VDC @ 40mA, 2.3 mA MIN. LOAD REQUIRED.
 SWITCH STATE MAX.: 12-30 VDC @750 µA (V. OPEN)
 4.7 VDC @40 mA (V. CLOSED)

APPROVALS:

cULus LISTED
 CLASS I, DIVISION 1, GROUPS A, B, C & D;
 CLASS II, DIVISION 1, GROUPS E, F & G; CLASS III
 CLASS I, ZONE 1, AEx d IIC T5; CLASS 1, ZONE 1, Ex d IIC T5
 Tamb = -40°C TO +85°C (-40°F TO 185°F)
 ENCLOSURE TYPE 4X; IP66

ATEX APPROVED
 II 2 G Ex d IIC T5
 II 2 D Ex ID A21 IP66 T+90C
 DEMKO 09 ATEX 0813748X
 Tamb = -40°C TO +85°C (-40°F TO 185°F)

IECEx APPROVED
 IECEx UL 08.0017
 Ex d IIC T5
 Ex ID A21 IP66 T+90C
 Tamb = -40°C TO +85°C (-40°F TO 185°F)

MODEL TLX	TEMPERATURE RANGE	SHEATH LENGTH	
		INCHES	[cm]
TL1	-40 TO 450°F/ -40 TO 232°C	4"	[10.1]
TL2	-40 TO 450°F/ -40 TO 232°C	6"	[15.2]
TL3	-40 TO 450°F/ -40 TO 232°C	10"	[25.4]

REV.	DESCRIPTION	DATE	DRWN	APPD
B	CORRECT DIMENSIONS FOR ENCLOSURE REDESIGN. ECN# E5348	1/22/2015	VIK	ASK
A	FIRST ISSUE. ECN#E3133	4-7-09	RAM	RAM

THIS DOCUMENT IS PROPRIETARY PROPERTY OF UNITED ELECTRIC CONTROLS. UNAUTHORIZED USE IS STRICTLY PROHIBITED.

ORIGINAL DATE	4-7-09
DRWN	RAM
CHKD	PLW
APPD	RAM
UNLESS OTHERWISE SPECIFIED DIMENSIONS ARE IN INCHES TOLERANCES ON FRACTIONS ±1/64 2 PLACE DEC 3 PLACE DEC ANGLES ±0.010 ±0.005 ±1/2°	
DO NOT SCALE THIS DRAWING	

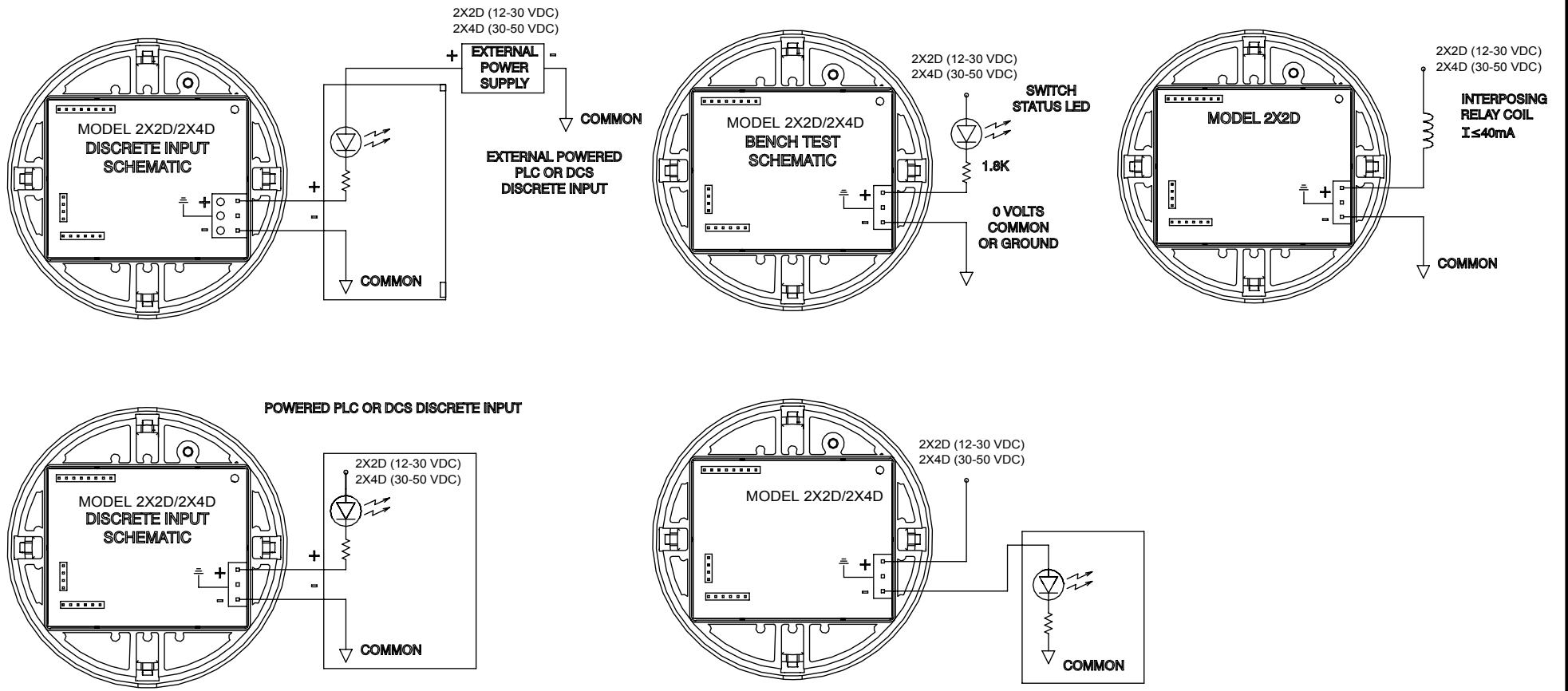
TITLE
2X2D LOCAL WELDED TEMP. SWITCH

USED ON:
 SCALE 1:1

UNITED ELECTRIC CONTROLS COMPANY
 WATERTOWN * MASSACHUSETTS

DWG NO Page 1 of 2
A-13898

RECOMMENDED WIRING SCHEMES



THIS DOCUMENT IS PROPRIETARY PROPERTY OF UNITED ELECTRIC CONTROLS. UNAUTHORIZED USE IS STRICTLY PROHIBITED.

B	SEE PAGE 1 OF 2. ECN# E5348	1/22/2015	VIK	ASK
A	FIRST ISSUE. ECN# E3133	4-7-09	RAM	RAM
REV.	DESCRIPTION	DATE	DRWN	APPD

ORIGINAL DATE	4-7-09
DRWN	RAM
CHKD	PLW
APPD	RAM
UNLESS OTHERWISE SPECIFIED DIMENSIONS ARE IN INCHES	
TOLERANCES ON FRACTIONS $\pm 1/64$	
2 PLACE DEC	3 PLACE DEC
± 0.010	± 0.005
ANGLES	$\pm 1/2^\circ$
DO NOT SCALE THIS DRAWING	

TITLE
2X2D LOCAL WELDED TEMP. SWITCH

USED ON:
 SCALE 1:1

UNITED ELECTRIC CONTROLS COMPANY
 WATERTOWN * MASSACHUSETTS

DWG NO Page 2 of 2
A-13898