

SPECIFICATIONS:

(SPECIFICATIONS AT 25°C (77°F) AND NOMINAL VOLTAGE UNLESS OTHERWISE NOTED.)

MECHANICAL:

WETTED MATERIALS: PROCESS CONNECTION - 316 st/st
 WEIGHT: 1.40 LBS. (0.63 kg)
 ENCLOSURE: TYPE 380 ALUMINUM; EPOXY POWDER COATED;
 SHALL NOT CONTAIN, BY MASS MORE THAN 6% OF MAGNESIUM.

ELECTRICAL:

ELECTRICAL CONNECTION:
 4-20 mA LOOP: 2 POSITION TERMINAL BLOCK
 14-26 AWG WIRE
 SWITCH OUTPUT: 3 POSITION TERMINAL BLOCK
 14-22 AWG WIRE

RATING: 4-20 mA OUTPUT, 10-36 VDC @ 24 mA MAX

$$R_{L(max)} = \frac{(V_{in} - 9)}{0.024}$$

SWITCH OUTPUT:

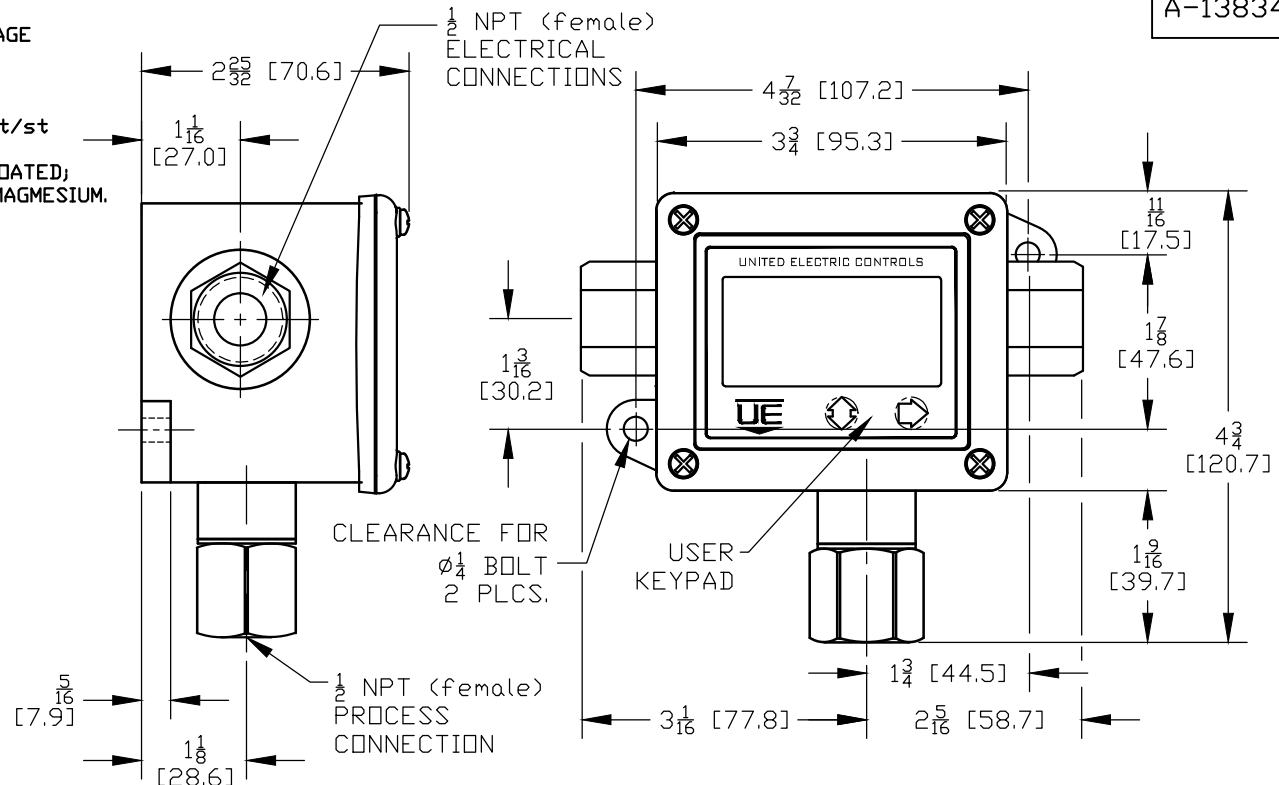
MODEL:
 2WLP41xxx 140 VAC/DC, 0.6 A MAX. CONT.,
 2 A PEAK (100 mSec)
 2WLP43xxx 280 VAC/DC, 0.3 A MAX. CONT.,
 1 A PEAK (100 mSec)
 (DERATE AT 8% PER 10°C OR 4.6% PER 10°F)

OPERATING:

OVERALL ACCURACY:
 ±1% OF MAX. OPERATING RANGE VALUE
 SET POINT REPEATABILITY:
 ±0.2% OF MAX. OPERATING RANGE VALUE
 LONG TERM STABILITY:
 ±0.25 OF RANGE PER YEAR, MAX.
 AMBIENT TEMPERATURE:
 OPERATING: -40°C TO 80°C (-40°F TO 176°F)
 LCD VISIBILITY TEMP: -12°C TO 80°C (10°F TO 176°F)
 STORAGE: -40°C TO 85°C (-40°F TO 185°F)
 MEDIA TEMPERATURE:
 -40°C TO 125°C (-40°F TO 257°F)

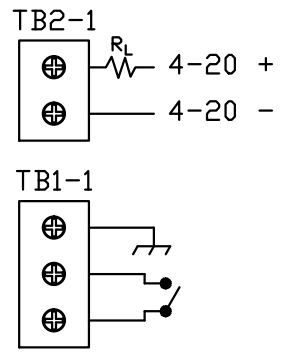
APPROVALS:

NONINCENDIVE APPLICATIONS:
 UL LISTED, cUL CERTIFIED
 CLASS I, DIVISION 2, GROUPS A, B, C, & D;
 CLASS II, DIVISION 2, GROUPS F & G;
 CLASS III;
 CLASS I, ZONE 2 AEx nC IIC T4;
 CLASS I, ZONE 2 Ex nC IIC T4;
 Tamb. = -40°C TO +80°C (-40°F TO +176°F)
 ENCLOSURE TYPE 4X



MODEL Pxx	OPERATING RANGE				MAX. OVER PRESSURE		BURST PRESSURE	
	LOW	psi	bar	HIGH	psi	bar	psi	bar
P06	-14.7	-1	30	2.1	60	4.1	120	8.3
P08	-14.7	-1	100	6.9	200	13.8	400	27.6
P10	0	0	5	0.3	10	0.7	20	1.4
P11	0	0	15	1.0	30	2.1	60	4.1
P12	0	0	30	2.1	60	4.1	120	8.3
P13	0	0	50	3.4	100	6.9	200	13.8
P14	0	0	100	6.9	200	13.8	400	27.6
P15	0	0	300	20.7	600	41.4	1200	82.7
P16	0	0	500	34.5	1000	68.9	2000	137.9
P17	0	0	1000	68.9	2000	137.9	4000	275.8
P18	0	0	3000	206.8	6000	413.7	12000	827.4
P19	0	0	4500	310.3	9000	620.6	18000	1241.1

TERMINAL BLOCK



CE DEMKO 03 ATEX 0322281X -40°C<Tamb.<+80°C, IP66
Ex II 3 G EEx nL IIC T4 II 3 D T+130°C

ORIGINAL DATE 5-3-05
 DRWN S. ROBAK
 CHKD AB
 APPD D. WILBUR

TITLE
 ONE SERIES
 2WLPxxPxx
 PRESSURE
 SINGLE SWITCH
 4-20 mA OUTPUT

DF001D
UE
 UNITED ELECTRIC
 CONTROLS COMPANY
 WATERTOWN * MASSACHUSETTS
 DWG NO
 A-13834

SYM	DESCRIPTION	DATE	DWN	APPD
F	ADDED MODELS P06 & P08. ECN#E4890	8-21-13	SR	SJM
E	REDRAWN; REVISED TITLE BLOCK INFO. ECN#E2723	6-24-08	SR	LK
REVISIONS				

THIS DOCUMENT IS PROPRIETARY PROPERTY OF UNITED ELECTRIC CONTROLS. UNAUTHORIZED USE IS STRICTLY PROHIBITED.

UNLESS OTHERWISE SPECIFIED DIMENSIONS ARE IN INCHES
 DO NOT SCALE THIS DRAWING

SCALE 1:2