

SPECIFICATIONS:

(SPECIFICATIONS AT 25°C (77°F) AND NOMINAL VOLTAGE UNLESS OTHERWISE NOTED.)

MECHANICAL:

WETTED MATERIALS: PROCESS CONNECTION - 316 st/st
 WEIGHT: 1.58 LBS. (0.71 kg)
 ENCLOSURE: TYPE 380 ALUMINUM; EPOXY POWDER COATED

ELECTRICAL:

ELECTRICAL CONNECTION:
 4 POSITION TERMINAL BLOCK

SWITCH SPECS.:

90 TO 130 VAC, 10A AT Tamb. 38°C (100°F)
 DERATE AT 1.8A PER 10°C (18°F)
 150 mA MINIMUM LOAD REQUIRED

OPERATING:

OVERALL ACCURACY:

±1% OF MAX. OPERATING RANGE VALUE

SET POINT REPEATABILITY:

±0.2% OF MAX. OPERATING RANGE VALUE

LONG TERM STABILITY:

±0.25 OF RANGE PER YEAR, MAX.

AMBIENT TEMPERATURE:

OPERATING: -40°C TO 70°C (-40°F TO 158°F)
 LCD VISIBILITY TEMP: -12°C TO 70°C (10°F TO 158°F)
 STORAGE: -40°C TO 85°C (-40°F TO 185°F)

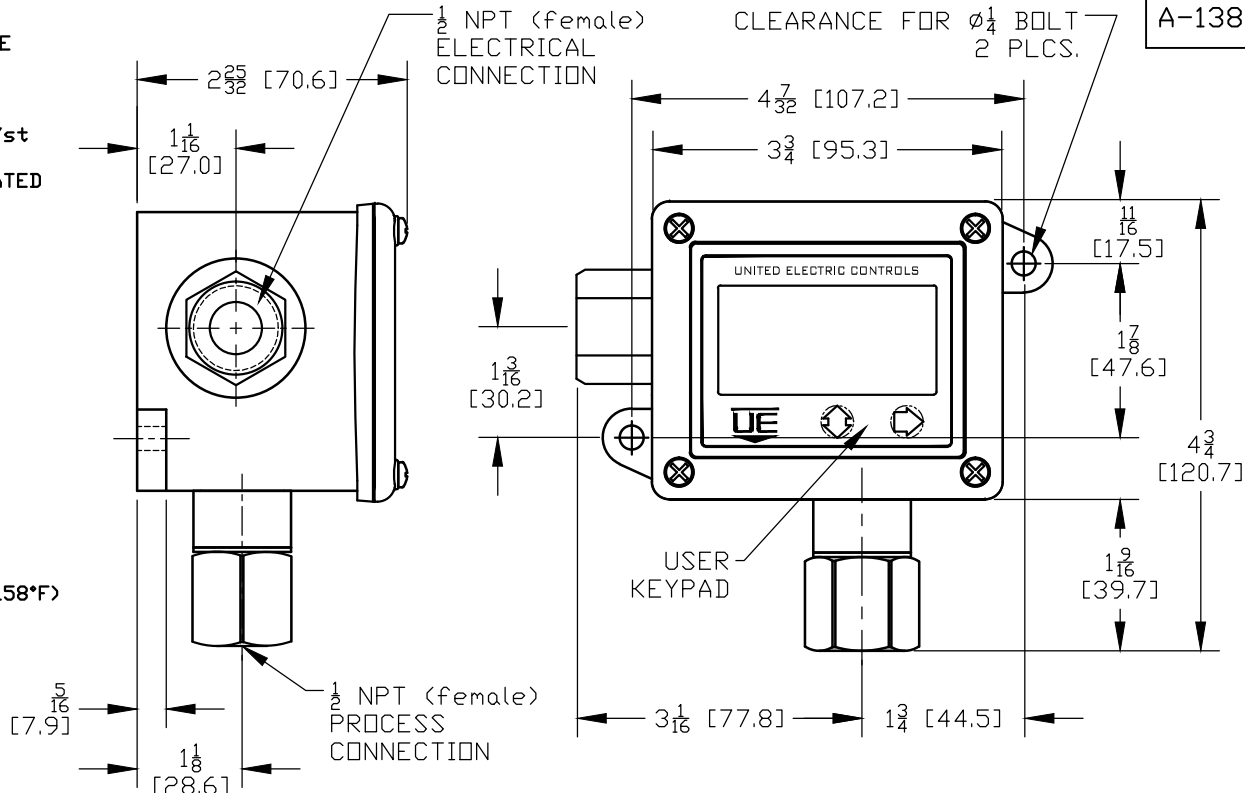
MEDIA TEMPERATURE:

-40°C TO 125°C (-40°F TO 257°F)

APPROVALS:

NONINCENDIVE APPLICATIONS:

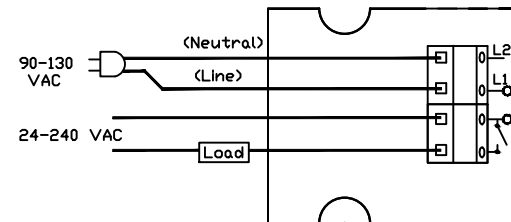
UL LISTED, cUL CERTIFIED
 CLASS I, DIVISION 2, GROUPS A, B, C & D;
 CLASS II, DIVISION 2, GROUPS F & G;
 CLASS III;
 CLASS I, ZONE 2 AEx nC IIC T4A;
 CLASS I, ZONE 2 Ex nC IIC T4A;
 Tamb.=-40°C TO +70°C (-40°F TO 158°F)
 ENCLOSURE TYPE 4X



A-13817

| MODEL Pxx | OPERATING RANGE | | | | MAX. OVER PRESSURE | | BURST PRESSURE | |
|-----------|-----------------|-----|----------|-------|--------------------|-------|----------------|--------|
| | LOW psi | bar | HIGH psi | bar | psi | bar | psi | bar |
| P06 | -14.7 | -1 | 30 | 2,1 | 60 | 4,1 | 120 | 8,3 |
| P08 | -14.7 | -1 | 100 | 6,9 | 200 | 13,8 | 400 | 27,6 |
| P10 | 0 | 0 | 5 | 0,3 | 10 | 0,7 | 20 | 1,4 |
| P11 | 0 | 0 | 15 | 1,0 | 30 | 2,1 | 60 | 4,1 |
| P12 | 0 | 0 | 30 | 2,1 | 60 | 4,1 | 120 | 8,3 |
| P13 | 0 | 0 | 50 | 3,4 | 100 | 6,9 | 200 | 13,8 |
| P14 | 0 | 0 | 100 | 6,9 | 200 | 13,8 | 400 | 27,6 |
| P15 | 0 | 0 | 300 | 20,7 | 600 | 41,4 | 1200 | 82,7 |
| P16 | 0 | 0 | 500 | 34,5 | 1000 | 68,9 | 2000 | 137,9 |
| P17 | 0 | 0 | 1000 | 68,9 | 2000 | 137,9 | 4000 | 275,8 |
| P18 | 0 | 0 | 3000 | 206,8 | 6000 | 413,7 | 12000 | 827,4 |
| P19 | 0 | 0 | 4500 | 310,3 | 9000 | 620,6 | 18000 | 1241,1 |

TERMINAL WIRING



FOUR WIRE CONFIGURATION USING ISOLATED (POTENTIAL FREE) SWITCH CONTACTS

**AGENCY CRITICAL COMPONENT,
 NO SUBSTITUTIONS ALLOWED
 WITHOUT UEC ENGINEERING APPROVAL.**

| SYM | DESCRIPTION | DATE | DWN | APPD |
|-----|--|---------|-----|------|
| E | ADDED MODELS P06 & P08. ECN#E4890 | 8-21-13 | SR | SJM |
| D | ADDED '150 mA MINIMUM LOAD REQUIRED' TO SWITCH SPEC. ECN# E4360 | 2/21/12 | MJF | DW |
| C | REVISED TITLE BLOCK INFO. ECN#E2723 | 6-2-08 | SR | LK |
| B | TERMINAL WIRING WAS IN CHART FORM. APPROVALS. T4A WAS T5. ECN# E0878 | 7/29/04 | PLW | D.W. |
| A | FIRST ISSUE. ECN# E0809 | 5/27/04 | PLW | D.W. |

REVISIONS

| | |
|---|---------|
| ORIGINAL DATE | 5/27/04 |
| DRWN | PLW |
| CHKD | A.B. |
| APPD | D.W. |
| UNLESS OTHERWISE SPECIFIED DIMENSIONS ARE IN INCHES | |
| DO NOT SCALE THIS DRAWING | |

TITLE
**ONE SERIES
 4W3A01Pxx
 PRESSURE
 SINGLE SWITCH**

DF001D

 UNITED ELECTRIC CONTROLS COMPANY
 WATERTOWN * MASSACHUSETTS
 DWG NO
A-13817