

**SPECIFICATIONS:**

(SPECIFICATIONS AT 25°C (77°F) AND NOMINAL VOLTAGE UNLESS OTHERWISE NOTED.)

**MECHANICAL:**

WETTED MATERIALS: 304 st/st  
 WEIGHT: 1.40 LBS. (0.63 kg)  
 ENCLOSURE: DIE CAST ALUMINUM; EPOXY POWDER COATED

**ELECTRICAL:**

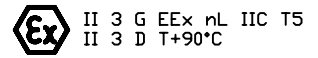
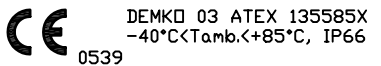
ELECTRICAL CONNECTION:  
 3 POSITION TERMINAL BLOCK  
 SWITCH SPECS.:  
 OFF (OPEN): 90 TO 130 VOLTS AC/DC @ 1mA MAX.  
 ON (CLOSED): 12 VOLTS AC/DC @ 100mA MAX.  
 SWITCH PROTECTION:  
 SHORT CIRCUIT  
 OVER-VOLTAGE: 150 VOLTS

**OPERATING:**

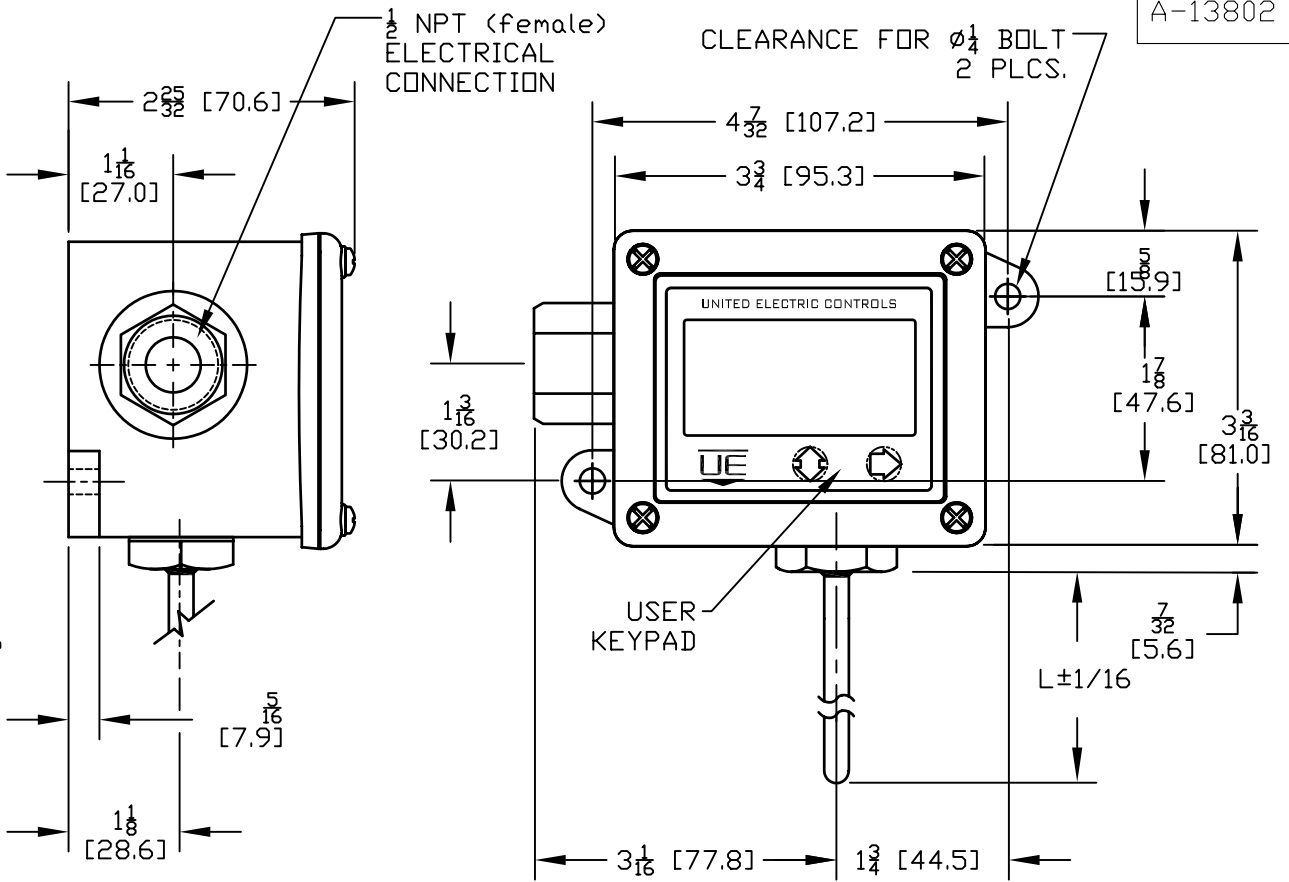
OVERALL ACCURACY:  
 ±1% OF MAX. OPERATING RANGE VALUE  
 SET POINT REPEATABILITY:  
 ±0.2% OF MAX. OPERATING RANGE VALUE  
 LONG TERM STABILITY:  
 ±0.25% OF RANGE PER YEAR, MAX.  
 AMBIENT TEMPERATURE:  
 OPERATING: -40°C TO 85°C (-40°F TO 185°F)  
 LCD VISIBILITY TEMP: -12°C TO 80°C (10°F TO 176°F)  
 STORAGE: -40°C TO 85°C (-40°F TO 185°F)  
 MEDIA TEMPERATURE:  
 -45°C TO 232°C (-50°F TO 450°F)  
 REFER TO NAMEPLATE FOR OPERATING TEMPERATURE RANGE.

**APPROVALS:**

NONINCENDIVE APPLICATIONS:  
 UL LISTED, cUL CERTIFIED  
 CLASS I, DIVISION 2, GROUPS A, B, C & D;  
 CLASS II, DIVISION 2, GROUPS F & G;  
 CLASS III;  
 CLASS I, ZONE 2 AEx nC IIC T5;  
 CLASS I, ZONE 2 Ex nC IIC T5;  
 Tamb.=-40°C TO +85°C (-40°F TO 185°F)  
 ENCLOSURE TYPE 4X



**AGENCY CRITICAL COMPONENT,  
 NO SUBSTITUTIONS ALLOWED  
 WITHOUT UEC ENGINEERING APPROVAL.**



MODEL Lx	DIM 'L'	
	in.	[mm]
L1	4	[102]
L2	6	[153]
L3	10	[254]

TERMINAL BLOCK
FUNCTION
SWITCH OUTPUT
EARTH/CHASSIS GROUND
SWITCH OUTPUT

G	REDRAWN; REVISED TITLE BLOCK INFO. ECN# E2723	6-2-08	SR	LK
SYM	DESCRIPTION	DATE	DWN	APPD
REVISIONS				

ORIGINAL DATE	1/30/03
DRWN	PLW
CHKD	A.B.
APPD	D.W.
UNLESS OTHERWISE SPECIFIED DIMENSIONS ARE IN INCHES	

TITLE	ONE SERIES 2W3A00TLx LOCAL TEMPERATURE SINGLE SWITCH
SCALE	1:2

DF001D

UNITED ELECTRIC  
 CONTROLS COMPANY  
 WATERTOWN \* MASSACHUSETTS

DWG NO  
 A-13802

DO NOT SCALE THIS DRAWING