

SPECIFICATIONS:

(SPECIFICATIONS AT 25°C (77°F) AND NOMINAL VOLTAGE UNLESS OTHERWISE NOTED.)

MECHANICAL:

WETTED MATERIALS: 316 st/st
 WEIGHT: 1.40 LBS. (0.63 kg)
 ENCLOSURE: TYPE 380 ALUMINUM; EPOXY POWDER COATED;
 SHALL NOT CONTAIN, BY MASS MORE THAN 6% OF MAGNESIUM.

ELECTRICAL:

ELECTRICAL CONNECTION:
 3 POSITION TERMINAL BLOCK
 SWITCH SPECS.:

- OFF (OPEN): 12 TO 28 VDC @ 0.75mA MAX.
- ON (CLOSED): 4.7 VDC @ 40mA MAX.

SWITCH PROTECTION:
 SHORT CIRCUIT
 REVERSE POLARITY
 OVER-VOLTAGE 50 VDC

OPERATING:

OVERALL ACCURACY:
 ±1% OF MAX. OPERATING RANGE VALUE
 SET POINT REPEATABILITY:
 ±0.2% OF MAX. OPERATING RANGE VALUE
 LONG TERM STABILITY:
 ±0.25% OF RANGE PER YEAR, MAX.
 AMBIENT TEMPERATURE:
 OPERATING: -40°C TO +80°C (-40°F TO +176°F)
 LCD VISIBILITY TEMP: -12°C TO 80°C (10°F TO 176°F)
 STORAGE: -40°C TO +80°C (-40°F TO +176°F)
 MEDIA TEMPERATURE:
 -45°C TO +232°C (-50°F TO +450°F)
 REFER TO NAMEPLATE FOR OPERATING TEMPERATURE RANGE.

APPROVALS:

INTRINSICALLY SAFE:
 UL LISTED, cUL CERTIFIED
 CLASS I, DIVISION 1 & 2, GROUPS A, B, C, & D;
 CLASS II, DIVISION 1 & 2, GROUPS E, F, & G;
 CLASS III;
 CLASS I, ZONE 0 AEx ia IIC T4;
 CLASS I, ZONE 0 Ex ia IIC T4;
 Tamb.=-40°C TO +80°C (-40°F TO +176°F)
 ENCLOSURE TYPE 4X

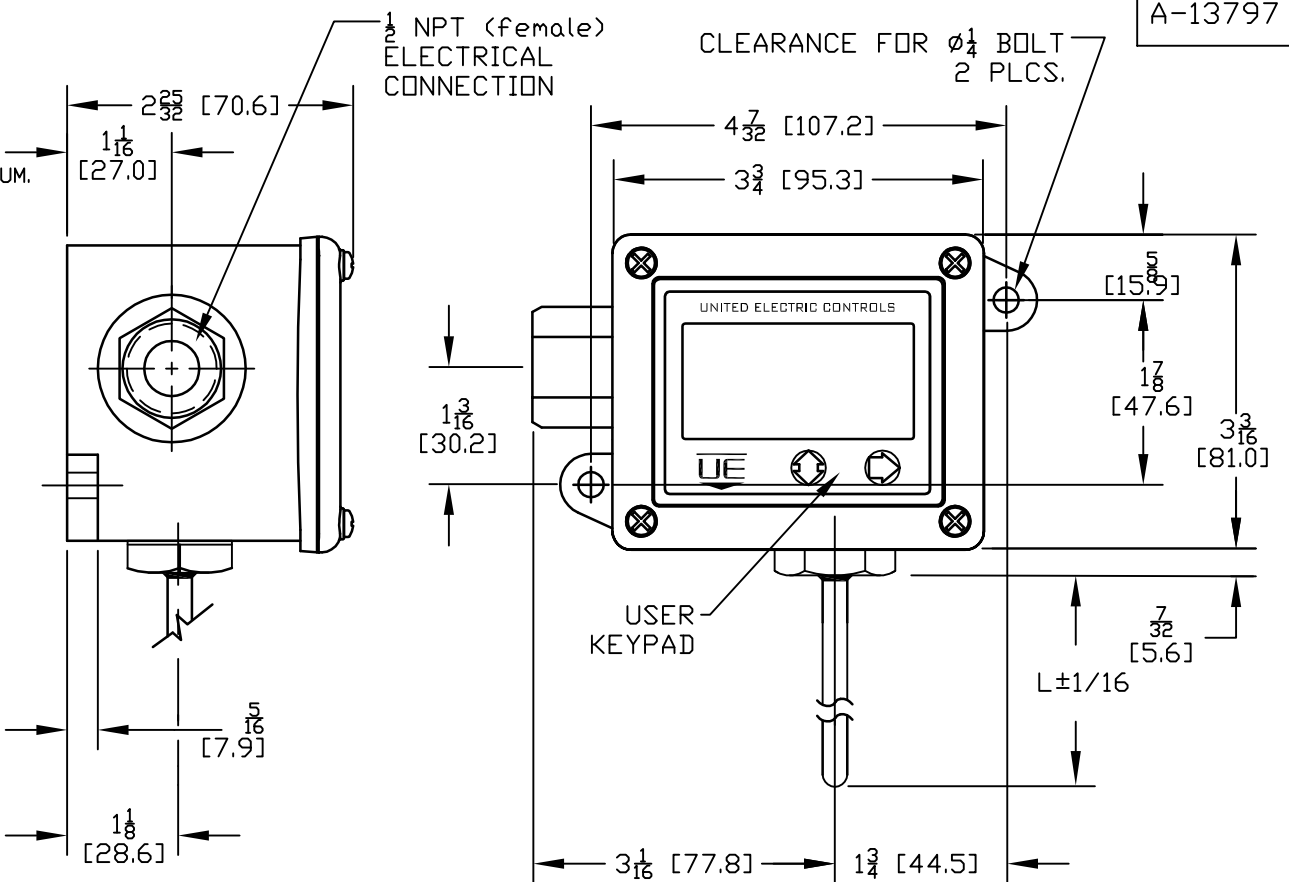
CE 0539 DEMKO 14 ATEX 1107977X
 DEMKO 14 ATEX 1300X
 IECEX UL 14.0013X
 -40°C<Tamb.<+80°C, IP66

Ex II 1 G Ex ia IIC T4
 II 1 D Ex ia IIIC T135°C
 Ex ia IIC T4
 Ex ia IIIC T135°C

NONINCENDIVE APPLICATIONS:
 UL LISTED, cUL CERTIFIED
 CLASS I, DIVISION 2, GROUPS A, B, C, & D;
 CLASS II, DIVISION 2, GROUPS F & G;
 CLASS III;
 CLASS I, ZONE 2 AEx ic IIC T4;
 CLASS I, ZONE 2 Ex ic IIC T4;
 Tamb.=-40°C TO +80°C (-40°F TO +176°F)
 ENCLOSURE TYPE 4X

CE 0539 DEMKO 14 ATEX 1107977X
 DEMKO 14 ATEX 1300X
 IECEX UL 14.0013X
 -40°C<Tamb.<+80°C, IP66

Ex II 3 G Ex ic IIC T4
 Ex ic IIC T4



**AGENCY CRITICAL COMPONENT,
 NO SUBSTITUTIONS ALLOWED
 WITHOUT UEC ENGINEERING APPROVAL.**

MODEL Lx	DIM "L"	
	In.	[mm]
L1	4	[102]
L2	6	[153]
L3	10	[254]

TERMINAL BLOCK	
FUNCTION	POSITION
SWITCH NEGATIVE	-
EARTH/CHASSIS GROUND	⏏
SWITCH POSITIVE	+

SYM	DESCRIPTION	DATE	DWN	APPD
G	AGENCY UPDATE TO CERT. ECN#E5068	3-14-14	NAB	EM
F	REDRAWN; REVISED TITLE BLOCK INFO. ECN#E2723	6-24-08	SR	LK
REVISIONS				

ORIGINAL DATE	1/2/03
DRWN	PLW
CHKD	AB
APPD	DW
UNLESS OTHERWISE SPECIFIED DIMENSIONS ARE IN INCHES	
DO NOT SCALE THIS DRAWING	

TITLE
 ONE SERIES
 2W2D00TLx
 LOCAL
 TEMPERATURE
 SINGLE SWITCH
 SCALE .5:1

DF001D

 UNITED ELECTRIC
 CONTROLS COMPANY
 WATERTOWN * MASSACHUSETTS
 DWG NO
 A-13797