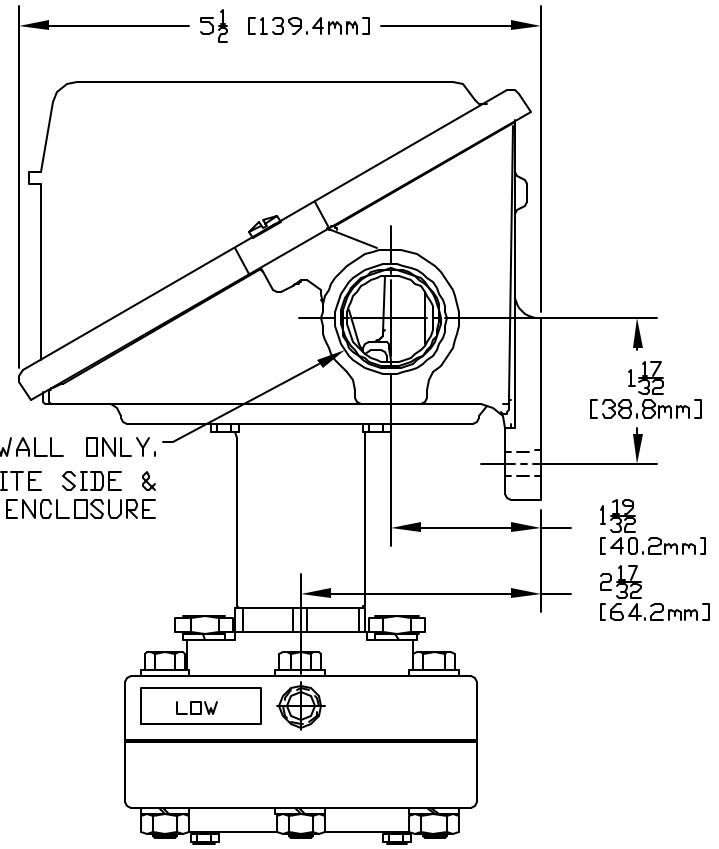
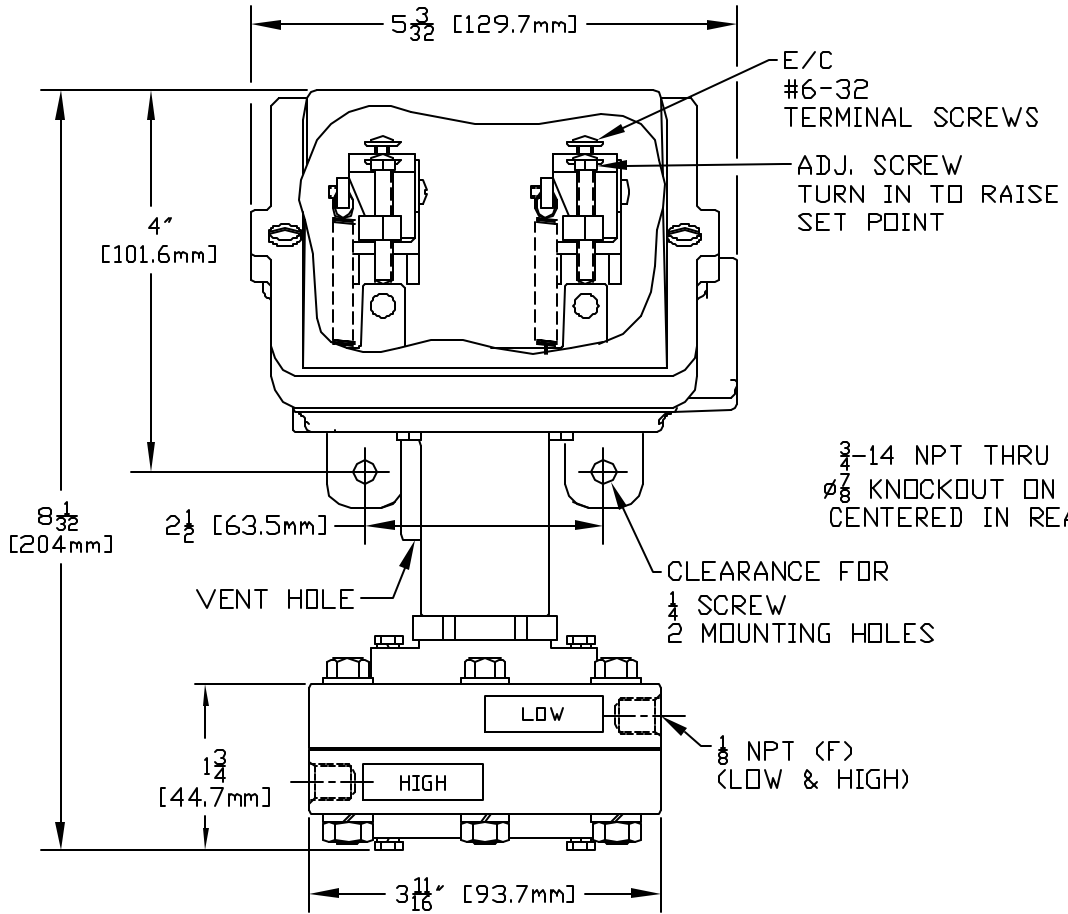


APPROVALS: (PENDING)
 UL LISTED, CSA CERTIFIED, FM APPROVED
 COMPLIES WITH NEMA 4.
 I & M SHEET IMP400.



NOTE: AGENCY CRITICAL DRAWING.
 NO MODIFICATIONS ALLOWED WITHOUT
 REFERENCE TO APPROVAL AGENCIES.

547	20 to 200	1.4 to 13.8
546	10 to 100	0.7 to 6.9
545	5 to 50	0.3 to 3.4
544	2 to 20	137.9 to 1379.0 mbar
MODEL NO.	psid	bar
ADJUSTABLE RANGE		
LOW END OF RANGE ON FALL		
HIGH END OF RANGE ON RISE		

C	REDRAWN, UPDATED ENCLOSURE. ECN#E0821	6-28-04	SR	HN
SYM	DESCRIPTION	DATE	DWN	APPD
REVISIONS				

ORIGINAL DATE	7/22/99
DRWN	PLW
CHKD	A.B.
APPD	ARAM MINASSIAN
UNLESS OTHERWISE SPECIFIED DIMENSIONS ARE IN INCHES	

TITLE	J402K 544 TO 547
PROCESS	
SCALE	1:2

DF001D

UNITED ELECTRIC
 CONTROLS COMPANY
 WATERTOWN * MASSACHUSETTS

DWG NO
 A-13715