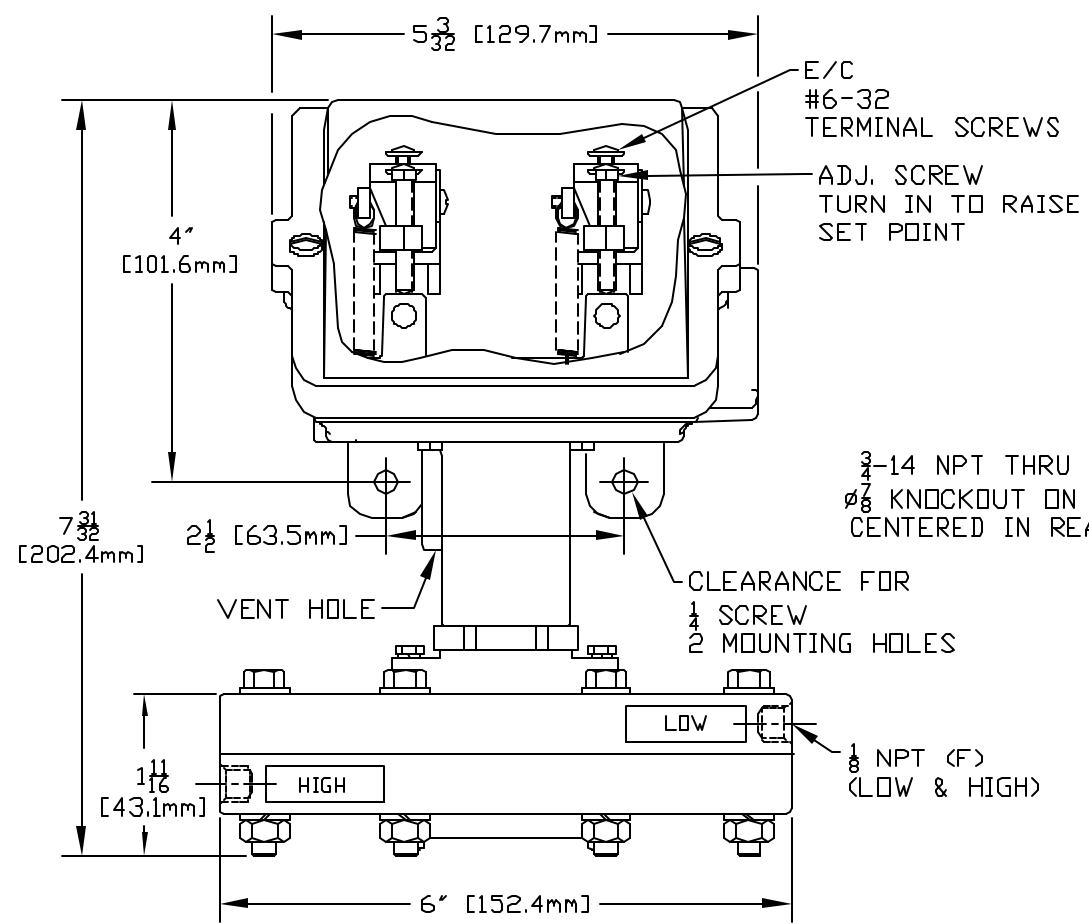
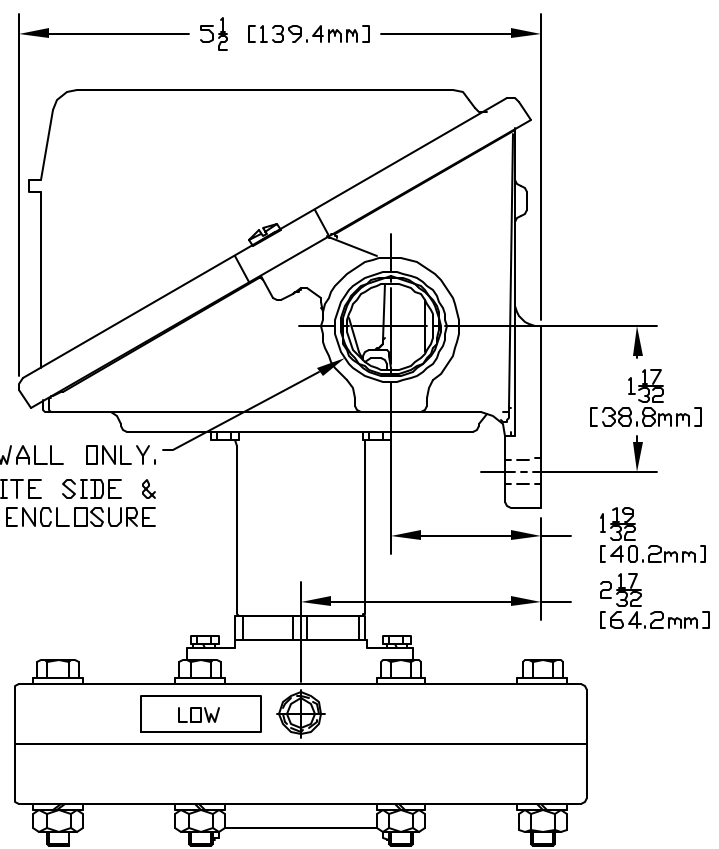


APPROVALS: (PENDING)  
 UL LISTED, CSA CERTIFIED, FM APPROVED  
 COMPLIES WITH NEMA 4.  
 I & M SHEET IMP400.



3/4-14 NPT THRU NEAR WALL ONLY.  
 Ø7/8 KNOCKOUT ON OPPOSITE SIDE &  
 CENTERED IN REAR OF ENCLOSURE



NOTE: AGENCY CRITICAL DRAWING.  
 NO MODIFICATIONS ALLOWED WITHOUT  
 REFERENCE TO APPROVAL AGENCIES.

543	15 to 100	37.3 to 248.9
542	5 to 50	12.4 to 124.5
541	2 to 20	5.0 to 49.8
540	1 to 7	2.5 to 17.4
MODEL NO.	"wcd	mbar
ADJUSTABLE RANGE		
LOW END OF RANGE ON FALL HIGH END OF RANGE ON RISE		

C	REDRAWN, UPDATED ENCLOSURE. ECN#E0821	6-28-04	SR	HN
SYM	DESCRIPTION	DATE	DWN	APPD
REVISIONS				

ORIGINAL DATE	7/22/99
DRWN	PLW
CHKD	A.B.
APPD	ARAM MINASSIAN
UNLESS OTHERWISE SPECIFIED DIMENSIONS ARE IN INCHES	

TITLE	J402K 540-543
PROCESS	
SCALE	1:2

DF001D

UNITED ELECTRIC  
 CONTROLS COMPANY  
 WATERTOWN \* MASSACHUSETTS

DWG NO  
 A-13714