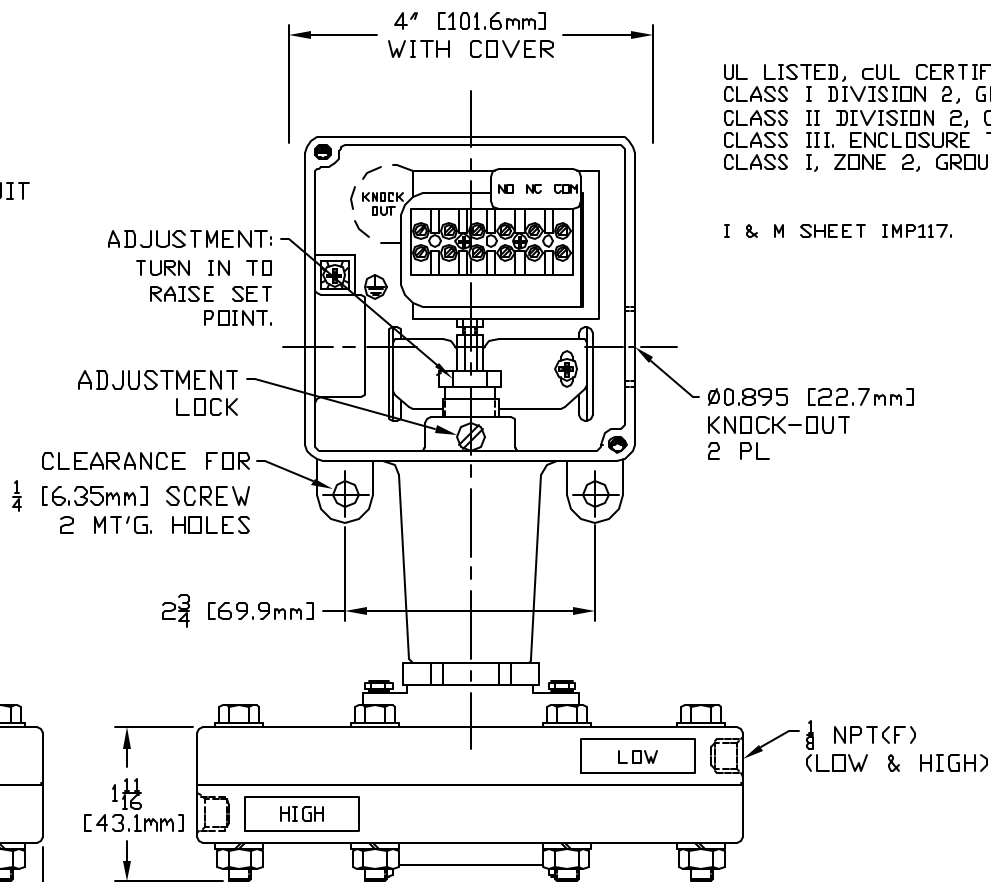
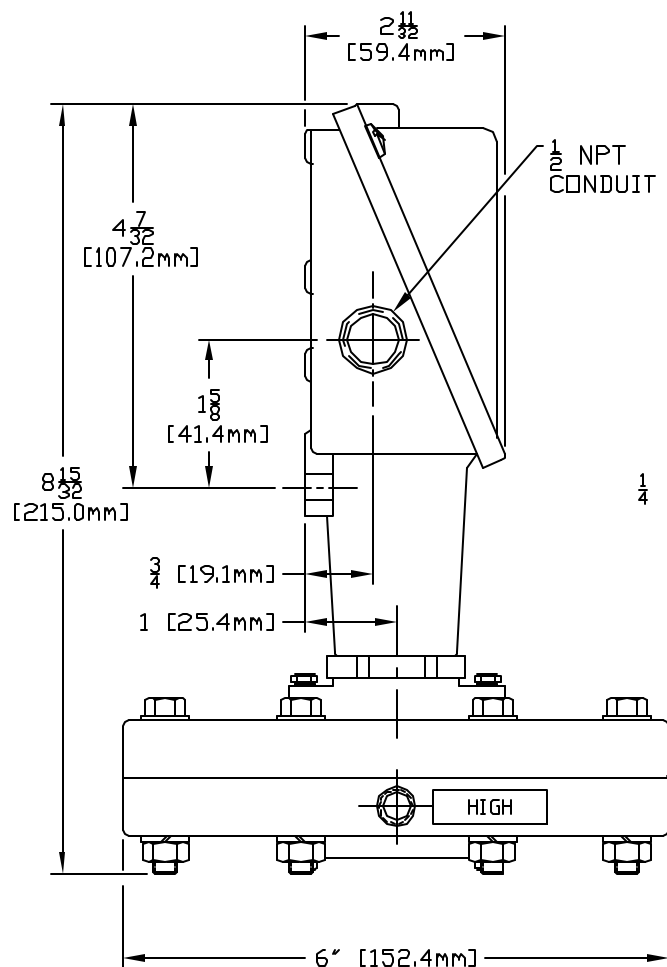


A-13476



UL LISTED, cUL CERTIFIED.
 CLASS I DIVISION 2, GROUPS A, B, C, D.
 CLASS II DIVISION 2, GROUP F, G.
 CLASS III. ENCLOSURE TYPE 4X
 CLASS I, ZONE 2, GROUP IIC T6

I & M SHEET IMP117.

COVER REMOVED IN FRONT VIEW

543	10 TO 200	24.9 TO 497.8
542	5 TO 50	12.4 TO 124.5
541	2 TO 20	5.0 TO 49.8
540	0.8 TO 7	2.0 TO 17.4
MODEL	*wcd	mbar
NO.	ADJUSTABLE RANGE	
	LOW END OF RANGE ON FALL HIGH END OF RANGE ON RISE	

NOTE: AGENCY CRITICAL DRAWING, NO MODIFICATIONS ALLOWED WITHOUT REFERENCE TO APPROVAL AGENCIES.

SYM	DESCRIPTION	DATE	DWN	APPD
D	CHANGED kPa TO mbar. ECN#E0047	10-23-02	S.R.	H.N.
C	REVISED VIEW OF TERMINAL BLOCK & SPECS. ECN#C8438	11-22-99	S.R.	VPD
B	CERTIFICATION WAS CSA. REQUIREMENT NOTE WAS NEMA 4X, 7, 9. ECN#C7775	12-3-98	P.V.	S.F.
A	FIRST ISSUE. ECN#C7678	10-28-98	P.W.	L.K.

REVISIONS

ORIGINAL DATE	10-23-98
DRWN	PETER WEILER
CHKD	A. BARTER
APPD	L. KHATCHADOURIAN
UNLESS OTHERWISE SPECIFIED DIMENSIONS ARE IN INCHES	
DO NOT SCALE THIS DRAWING	

TITLE
 H117K
 540 - 543

SCALE HALF

DF001D

 UNITED ELECTRIC
 CONTROLS COMPANY
 WATERTOWN * MASSACHUSETTS

DWG NO
 A-13476