

**SPECIFICATIONS:**

**\* APPROVALS:**

UL LISTED, cUL CERTIFIED, FILE E43374  
 CLASS I, DIVISION 1, GROUPS A, B, C, D  
 CLASS II, DIVISION 1, GROUPS E, F, G, CLASS III  
 CLASS I, ZONE 1 GROUP IIC  
 -50°C ≤ Tamb. ≤ 95°C

ATEX FLAME PROOF CONSTRUCTION PER Ex d IIC T6  
 -50°C ≤ Tamb. ≤ 80°C  
 CERTIFICATE# DEMKO ATEX.  
 FLAMEPROOF EQUIPMENT

CE COMPLIANT TO APPLICABLE DIRECTIVES  
 ENCLOSURE: 316 st/st EXPOSED PARTS

\* ENCLOSURE CLASSIFICATION: ENCLOSURE TYPE 4X, 7, 9; IP66  
 \* SWITCH OUTPUT:

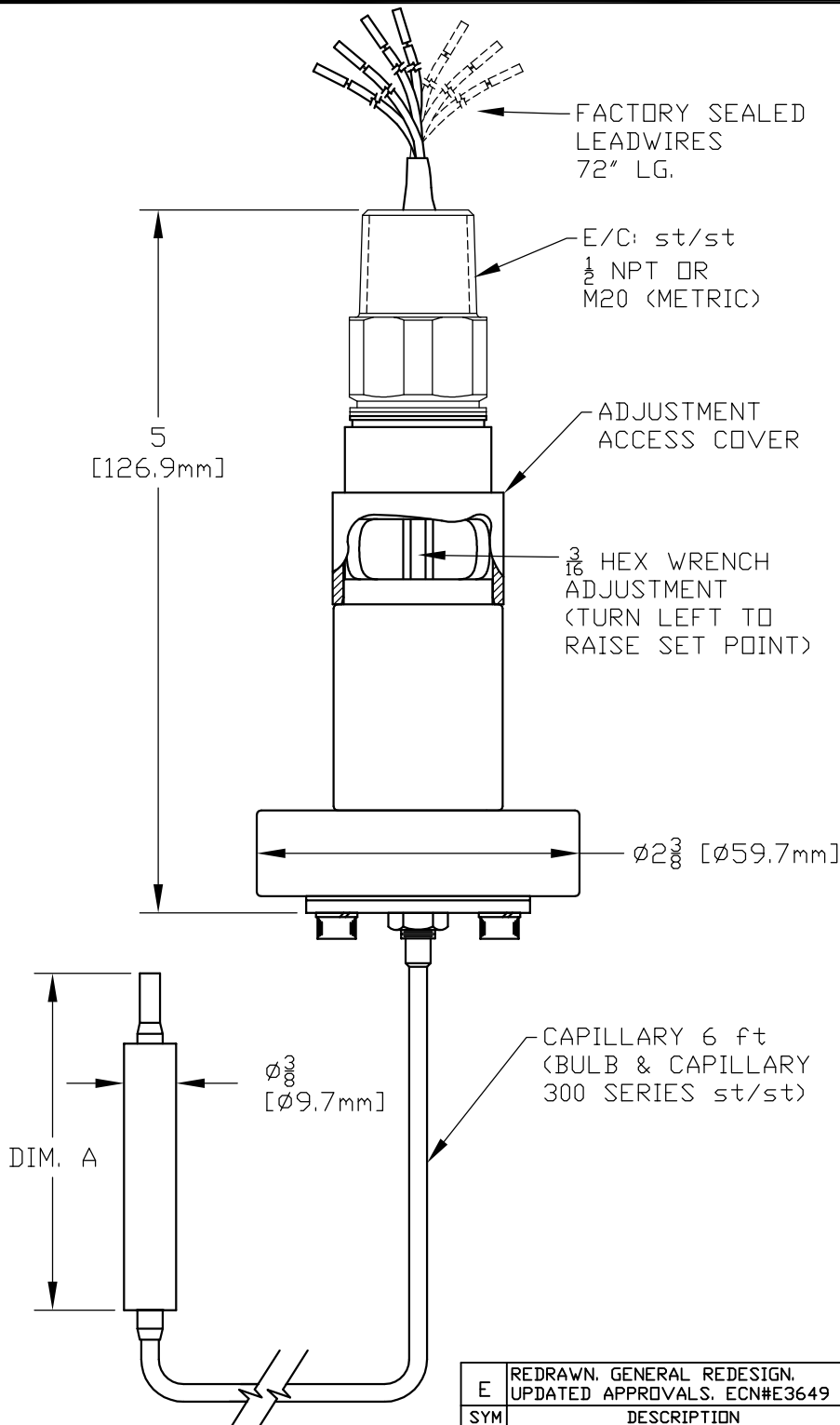
ONE SPDT, FACTORY SEALED LEADWIRES.  
 TWO SPDT FOR DPDT ACTION AVAILABLE.

**ELECTRICAL RATINGS:**

\* 5 AMP (CODE H) @ 250 VAC, 5 AMPS RESISTIVE AND  
 3 AMPS INDUCTIVE @ 28 VDC, SILVER CONTACTS.  
 1 AMP (CODE L) @ 125 VAC 1 A RESISTIVE AND  
 0.5 AMP INDUCTIVE @ 28 VDC. BIFURCATED GOLD CONTACTS.

WIRE COLOR CODING		
	SW#1	SW#2
COMMON	BROWN	YELLOW
N.C.	RED	BLACK
N.D.	BLUE	VIOLET
GROUND	GREEN	N/A

R4	150 TO 650	70 TO 340	4"	101.6mm
R3	50 TO 300	10 TO 150	4 7/8"	123.8mm
R2	0 TO 150	-15 TO 65	7 1/4"	184.2mm
R1	-130 TO 120	-90 TO 50	4 7/8"	123.8mm
MODEL NO.	*F	*C	DIM. A	
ADJUSTABLE RANGE				



E	REDRAWN, GENERAL REDESIGN, UPDATED APPROVALS. ECN#E3649	6-17-10	SR	RAM
SYM	DESCRIPTION	DATE	DWN	APPD
REVISIONS				

ORIGINAL DATE	4-10-98
DRWN	PETER WEILER
CHKD	A.BARTER
APPD	V.PRAKUSON
UNLESS OTHERWISE SPECIFIED DIMENSIONS ARE IN INCHES	
DO NOT SCALE THIS DRAWING	

TITLE	12 SERIES REMOTE TEMP.
SCALE	NONE

DF001D
<b>UE</b>
UNITED ELECTRIC CONTROLS COMPANY WATERTOWN * MASSACHUSETTS
DWG NO A-13435