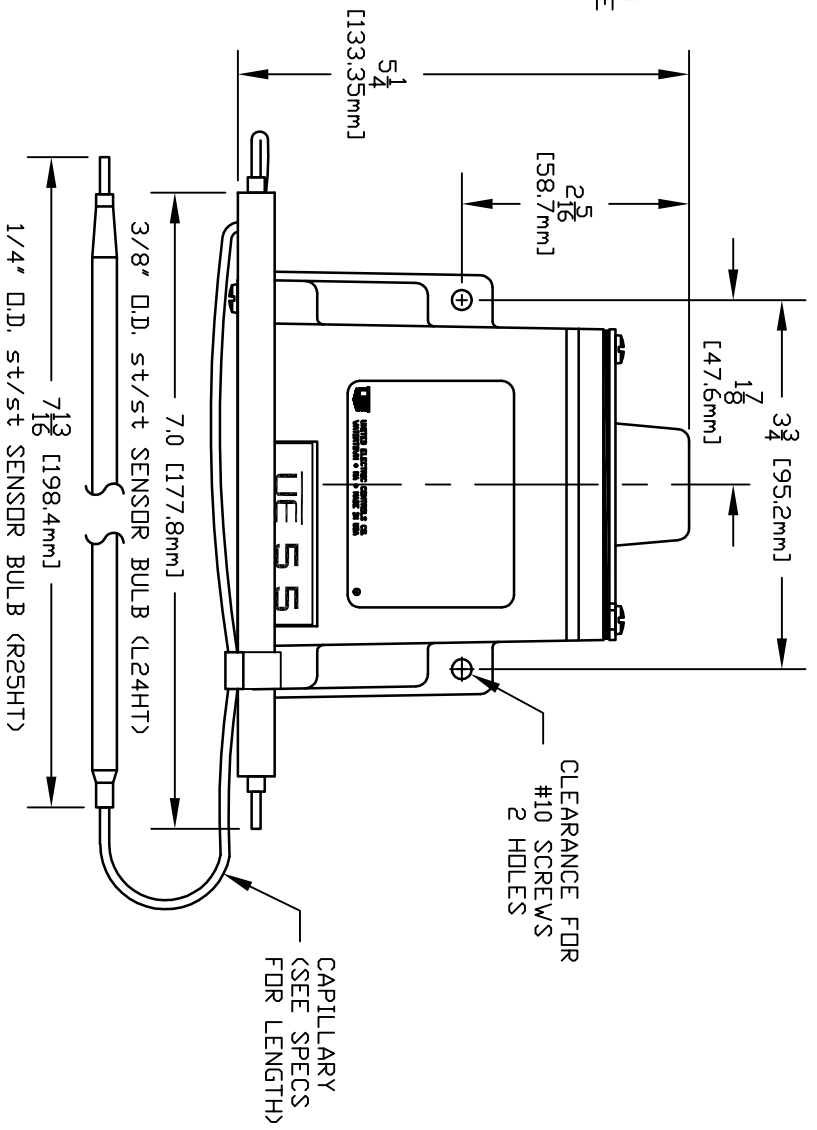
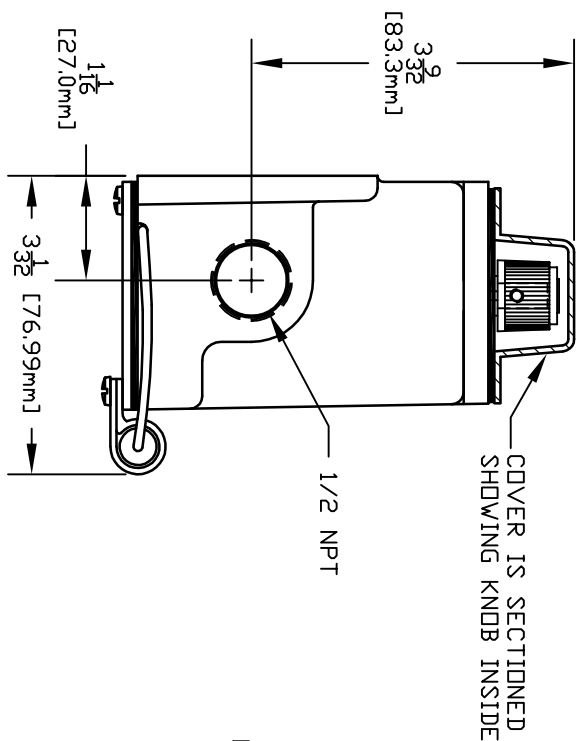
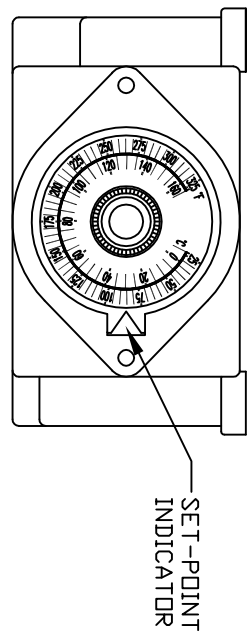


**SPECIFICATIONS:**

ESS-R25HT ENCLOSURE: NEMA 4X, EPOXY COATED, DIE CAST ALUMINUM RANGE: 25 TO 325°F (-5 TO 165°C)  
 SENSOR EXPOSURE LIMITS: -40 TO 600°F (-40 TO 315°C)  
 AMBIENT TEMPERATURE LIMITS: -40 TO 160°F (-40 TO 71°C)  
 SWITCH: (1) SPDT ELECTRICAL RATING: 22 A @ 125/250/480 VAC RESISTIVE CONNECTION: 1/2" NPT CONDUIT, SCREW TERMINALS ACCEPT 14 AWG WIRE MAX.  
 SET POINT: 125±1°F ON FALLING TEMPERATURE.  
 ACCURACY: ±2% OF RANGE AT SET POINT.  
 DEADBAND (IN LIQUID): 2% OF RANGE  
 REPEATABILITY: ±1 OF RANGE  
 SENSOR TYPE: FLUID-FILLED (NON-TOXIC, DOW OIL) BULB, 10 FT. CAPILLARY  
 SENSOR MATERIAL: 300 SERIES STAINLESS STEEL  
 UL LISTED, CSA CERTIFIED  
**ESS-L24HT**  
 SAME AS ABOVE EXCEPT:  
 RANGE: 15 TO 140°F (-10 TO 60°C)  
 SENSOR EXPOSURE LIMITS: -40 TO 190°F (-40 TO 87°C)  
 SET POINT: 40±1°F ON FALLING TEMPERATURE.  
 CAPILLARY LENGTH: 6 INCHES.

**TOP VIEW WITH COVER REMOVED**



SYM	DESCRIPTION	DATE	DWN	APPD
A	FIRST ISSUE. ECN#C6628	7-31-97	S.R.	A.M.
B	ADDED SET POINTS TO SPECIFICATIONS. ECN#C6703	8-21-97	P.V.	A.M.
C	ADDED 6" CAPILLARY LENGTH TO SPECS. ECN#C7732	11-30-98	P.V.	A.M.
D	ADDED TOP VIEW AND SECTIONED THE COVER TO SHOW KNOB IN SIDE VIEW. ECN#E4328	1-27-12	RCI	WK

DRWN	S. ROBAK
CHKD	A.B.
APPD	A. MINASSIAN

UNLESS OTHERWISE SPECIFIED DIMENSIONS ARE IN INCHES  
 TOLERANCES ON FRACTIONS ±1/64  
 2 PLACE DEC 3 PLACE DEC ANGLES ±1/2°  
 4.00  
 DO NOT SCALE THIS DRAWING

ORIGINAL DATE	7-31-97
TITLE	ESS-R25HT
ESS-L24HT	
DF001	REV. B
UNITED ELECTRIC CONTROLS COMPANY	WATERTOWN * MASSACHUSETTS
DWG NO	A-13411