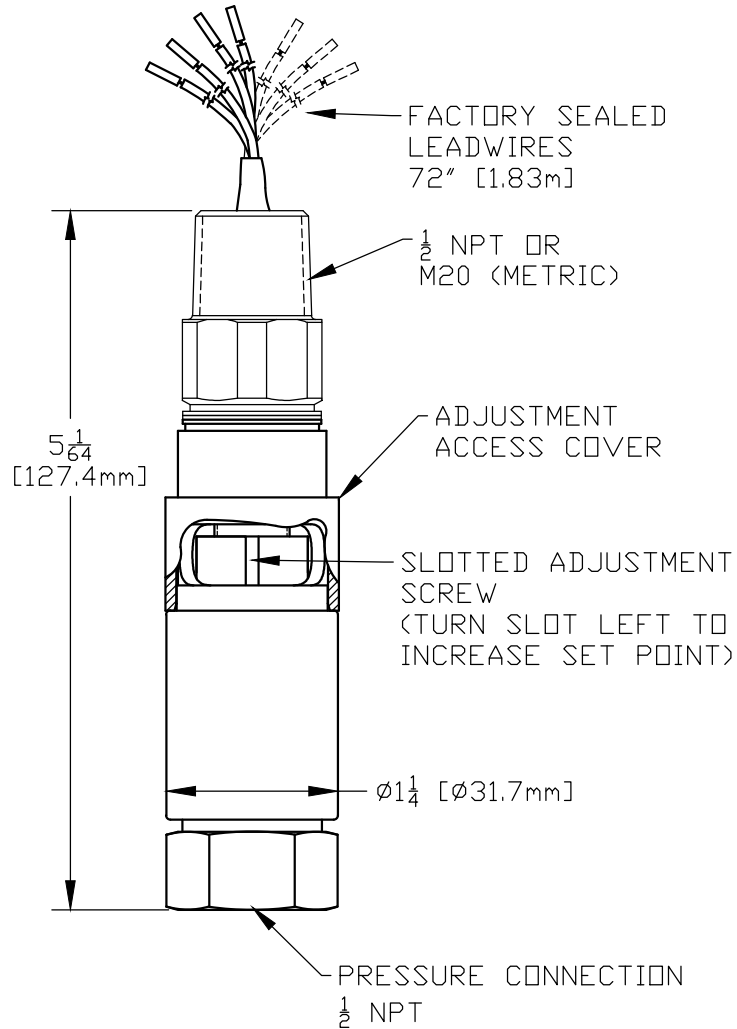


SPECIFICATIONS:

- * APPROVALS:
UL LISTED, FILE E40857; cUL CERTIFIED, FILE E40857
CLASS I, DIVISION 1, GROUPS A, B, C, D
CLASS II, DIVISION 1, GROUPS E, F, G, CLASS III
ATEX FLAME PROOF CONSTRUCTION PER Ex d IIC T6
CERTIFICATE# DEMKO 08 ATEX 0717128X.
FLAMEPROOF EQUIPMENT
- * ENCLOSURE: 316 st/st EXPOSED PARTS
- * ENCLOSURE CLASSIFICATION: TYPE 4X, 7, 9; IP66
- * SWITCH OUTPUT:
ONE SPDT, FACTORY SEALED LEADWIRES.
TWO SPDT FOR DPDT ACTION AVAILABLE.
- * ELECTRICAL RATINGS:
5 AMP (CODE H) @ 250 VAC, 5 AMPS RESISTIVE AND
3 AMPS INDUCTIVE @ 28 VDC, SILVER CONTACTS.
1 AMP (CODE L) @ 125 VAC 1 A RESISTIVE AND
0.5 AMP INDUCTIVE @ 28 VDC. BIFURCATED GOLD CONTACTS.
- * SNAP-ACTING BELLEVILLE SPRING CONSTRUCTION FOR VIBRATION RESISTANCE.
- * WETTED MATERIAL:
PRESSURE CONNECTION: 316 st/st
DIAPHRAGM: 316 st/st



MODEL NO.	ADJUSTABLE RANGE	
	LOW END OF RANGE ON FALL	
	HIGH END OF RANGE ON RISE	
	psi	bar
G	275 TO 850	19,0 TO 58,6
F	160 TO 400	11,0 TO 27,6
E	100 TO 210	6,9 TO 14,5
D	50 TO 130	3,5 TO 9,0
C	25 TO 85	1,7 TO 5,9
B	15 TO 45	1,0 TO 3,1
A	10 TO 25	0,7 TO 1,7

WIRE COLOR CODING		
	SW#1	SW#2
COMMON	BROWN	YELLOW
N.C.	RED	BLACK
N.O.	BLUE	VIOLET
GROUND	GREEN	

SYM	DESCRIPTION	DATE	DWN	APPD
F	HEIGHT DIM. WAS 4-7/8 [123.9mm]. UPDATED DEMKO ATEX APPROVAL. ENCLOSURE CLASSIFICATION WAS "NEMA". ECN#E5271	9/18/14	SR	MK
E	REMOVED DEADBAND FROM TABLE, ADDED METRIC CONVERSION TO LEADWIRES, REMOVED "E/C: st/st". ECN#E4709	2/26/13	NAB	WK
D	REDRAWN. GENERAL REDESIGN. UPDATED APPROVALS. ECN#E3649	6-17-10	S.R.	RAM
REVISIONS				

ORIGINAL DATE 8-14-97
DRWN S. ROBAK
CHKD AB
APPD LK
UNLESS OTHERWISE SPECIFIED DIMENSIONS ARE IN INCHES
DO NOT SCALE THIS DRAWING

TITLE
12 SERIES SENSOR/ TYPE 2
USED ON:
SCALE NONE

DF001D
UNITED ELECTRIC CONTROLS COMPANY WATERTOWN * MASSACHUSETTS
DWG NO A-13405