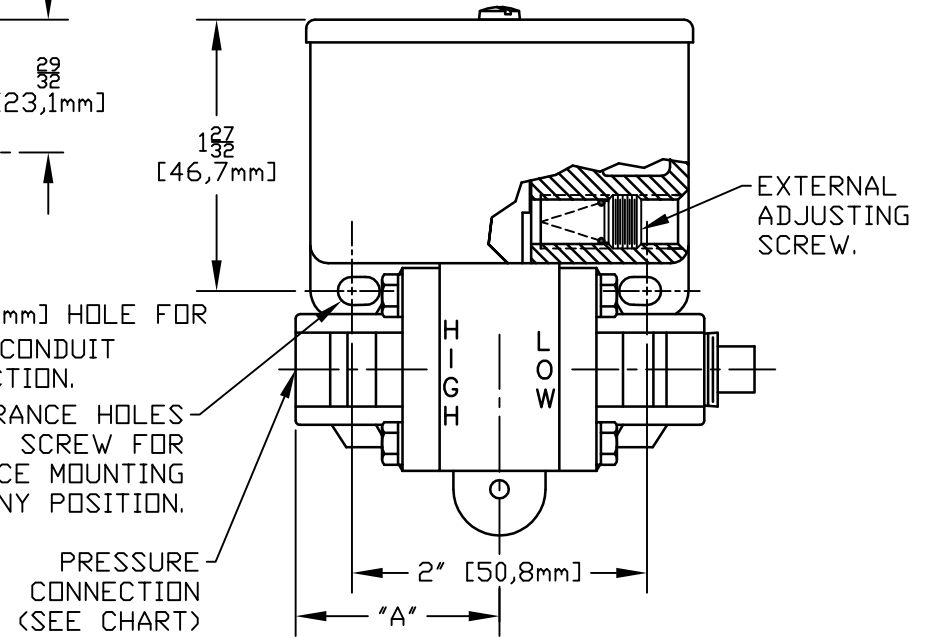
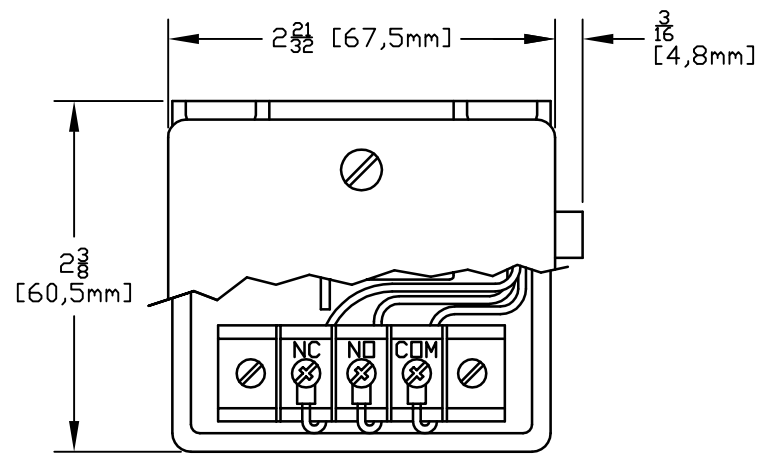
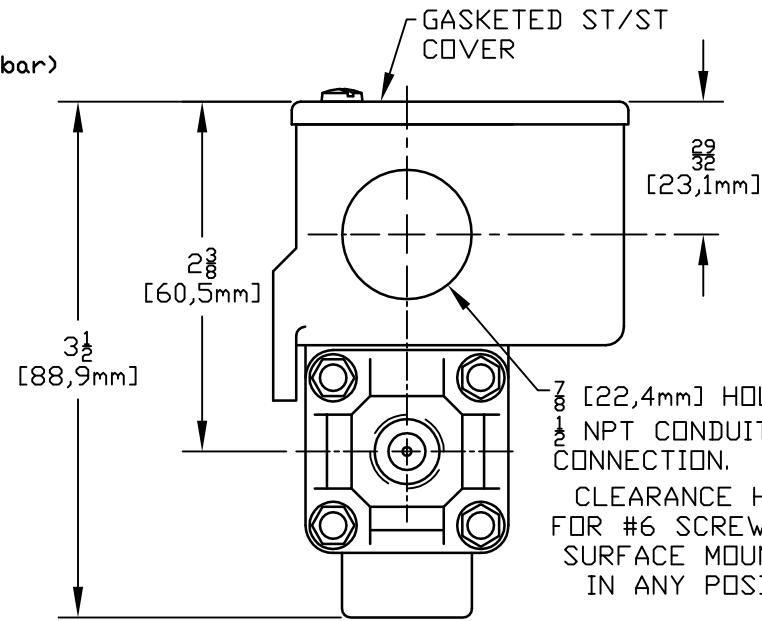


24-022	10-90	0,7 to 6,2	3.0	0,2 bar	¼ NPT	POLYETHER DIAPHRAGM & BRASS	1 9/16 39,6mm
24-021	4-45	0,3 to 3,1	1.0	68,9	¼ NPT	POLYETHER DIAPHRAGM & BRASS	1 9/16 39,6mm
24-020	1-10	68,9 mbar to 0,7	0.75	51,7	¼ NPT	POLYETHER DIAPHRAGM & BRASS	1 9/16 39,6mm
24-018	10-90	0,7 to 6,2	3.0	0,2 bar	¼ NPS	POLYETHER DIAPHRAGM & POLYSULPHONE	1 7/16 36,6mm
24-017	4-45	0,3 to 3,1	1.0	68,9	¼ NPS	POLYETHER DIAPHRAGM & POLYSULPHONE	1 7/16 36,6mm
24-016	1-10	68,9 mbar to 0,7	0.75	51,7	¼ NPS	POLYETHER DIAPHRAGM & POLYSULPHONE	1 7/16 36,6mm
MODEL NUMBER	psi	bar	psi	mbar	P/C SIZE	WETTED MATERIALS	DIM. "A"
	RANGE		DEADBAND TYP.				

SPECIFICATIONS:

RANGE: SEE CHART
 E/R: 5 A 125/250 VAC
 DEADBAND: SEE CHART
 PROOF PRESSURE: 150 psi (10.3 bar)
 P/C: SEE CHART
 WETTED MATERIAL: SEE CHART
 U.L. LISTED, CSA CERTIFIED



SYM	DESCRIPTION	DATE	DWN	APPD
G	2 3/8 DIMENSION ON TOP VIEW WAS 2 1/16 ECN# E3228	6-30-09	DWO	RAM
F	REDRAWN, ADDED METRIC EQUIVALENTS, REVISED CHART. DELETED ETHYLENE PROPYLENE AS WETTED MATL. ECN#E1157	3-22-05	S.R.	HN
REVISIONS				

ORIGINAL DATE	5-7-97
DRWN	PETER WEILER
CHKD	A.BARTER
APPD	J.MONDELLO
UNLESS OTHERWISE SPECIFIED DIMENSIONS ARE IN INCHES	
DO NOT SCALE THIS DRAWING	

TITLE
DELTA-PRO SWITCH #24 SERIES
 MODELS: SEE CHART
 SCALE 3/4:1

DF001D

UNITED ELECTRIC CONTROLS COMPANY
 WATERTOWN * MASSACHUSETTS
 DWG NO
A-13403