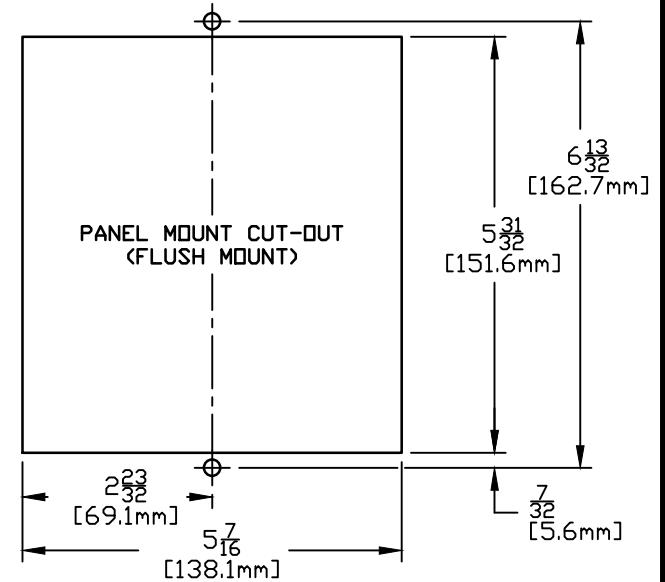
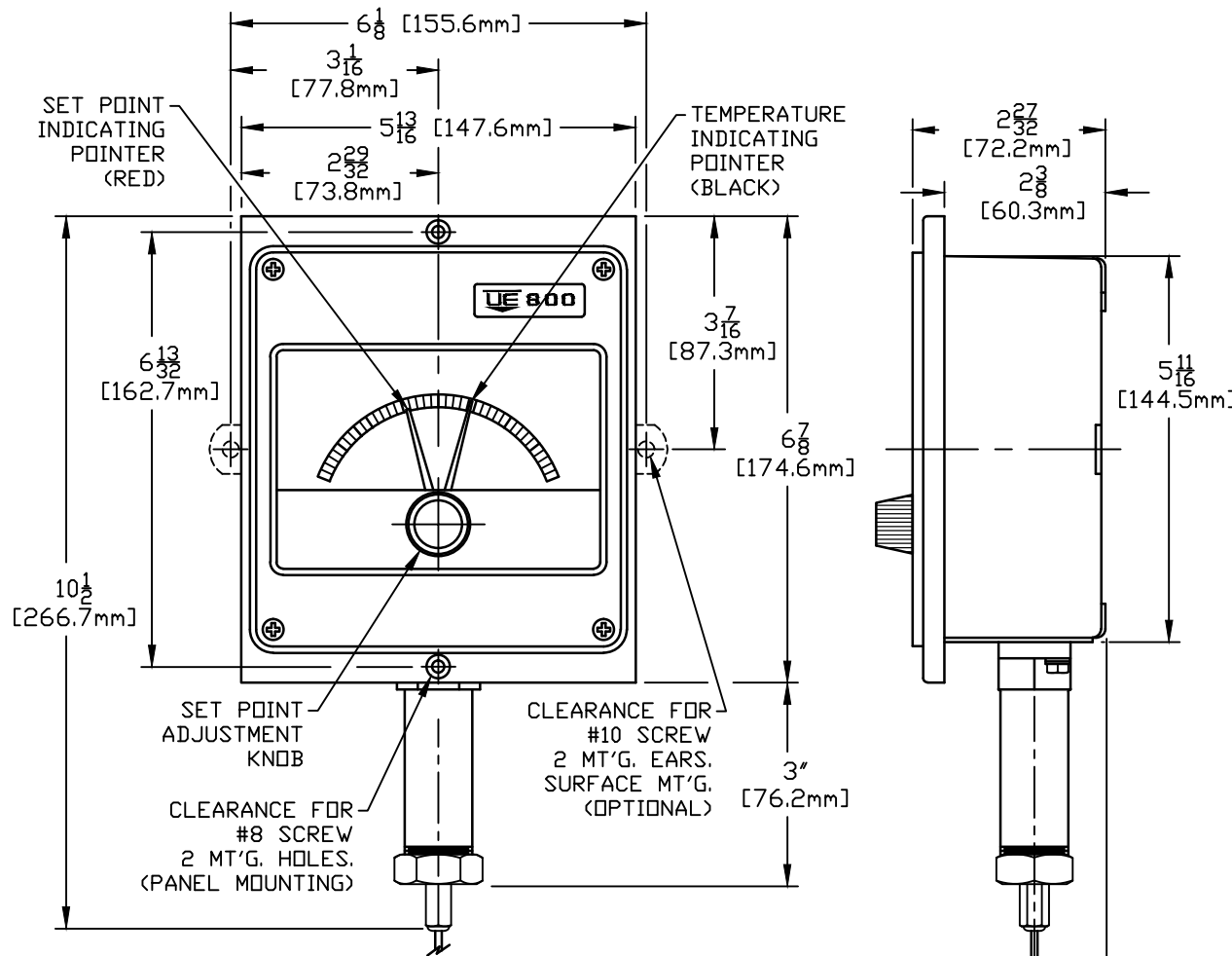
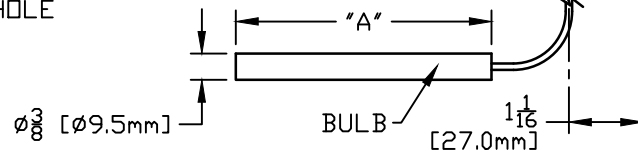
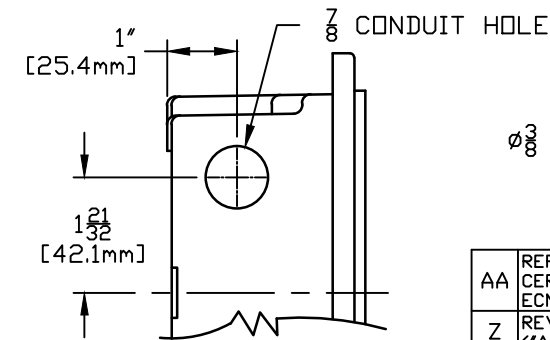


cULus LISTED
NEMA 1
I & M SHEET IM800



ØBS. DC#27431

8BS	50 TO 650	10 TO 343.3	3 1/4	82.6mm
7BS	0 TO 400	-17.8 TO 204.4	3"	76.2mm
6BS	0 TO 250	-17.8 TO 121.1	4 1/2	114.3mm
5BS	-40 TO 180	-40 TO 82.2	5'	127.0mm
4BS	-40 TO 120	-40 TO 48.9	6 3/4	171.5mm
3BS	-125 TO 500	-87.2 TO 260	2 1/8	54.0mm
2BS	-125 TO 350	-87.2 TO 176.7	2 1/16	62.0mm
1BS	-180 TO 120	-117.8 TO 48.9	3 3/4	95.3mm
MODEL NO.	°F °C		"A" DIM. BULB	
	ADJUSTABLE RANGE		BULB	



AA	REPLACED UL LISTED & CSA CERTIFIED WITH cULus LISTED. ECN#E4951	11-18-13	SR	EM
Z	REVISED °C TABLE. 2BS BULB DIM ('A') WAS 2-5/8 (66.7mm). ECN#E1422	10-25-05	SR	HN
Y	REDRAWN. DELETED OBSOLETE MODEL: 800-M9B. ECN#E0036	9-17-02	S.R.	HN
SYM	DESCRIPTION	DATE	DWN	APPD

REVISIONS

ORIGINAL DATE	6-29-87
DRWN	PETER WEILER
CHKD	A.J. FLECCA
APPD	L. KHATCHADDURIAN
UNLESS OTHERWISE SPECIFIED DIMENSIONS ARE IN INCHES	

TITLE
800 LEXAN ENCLOSURE

SCALE 0.375:1

DF001D
UE
UNITED ELECTRIC CONTROLS COMPANY
WATERTOWN * MASSACHUSETTS
DWG NO
A-12763

DO NOT SCALE THIS DRAWING