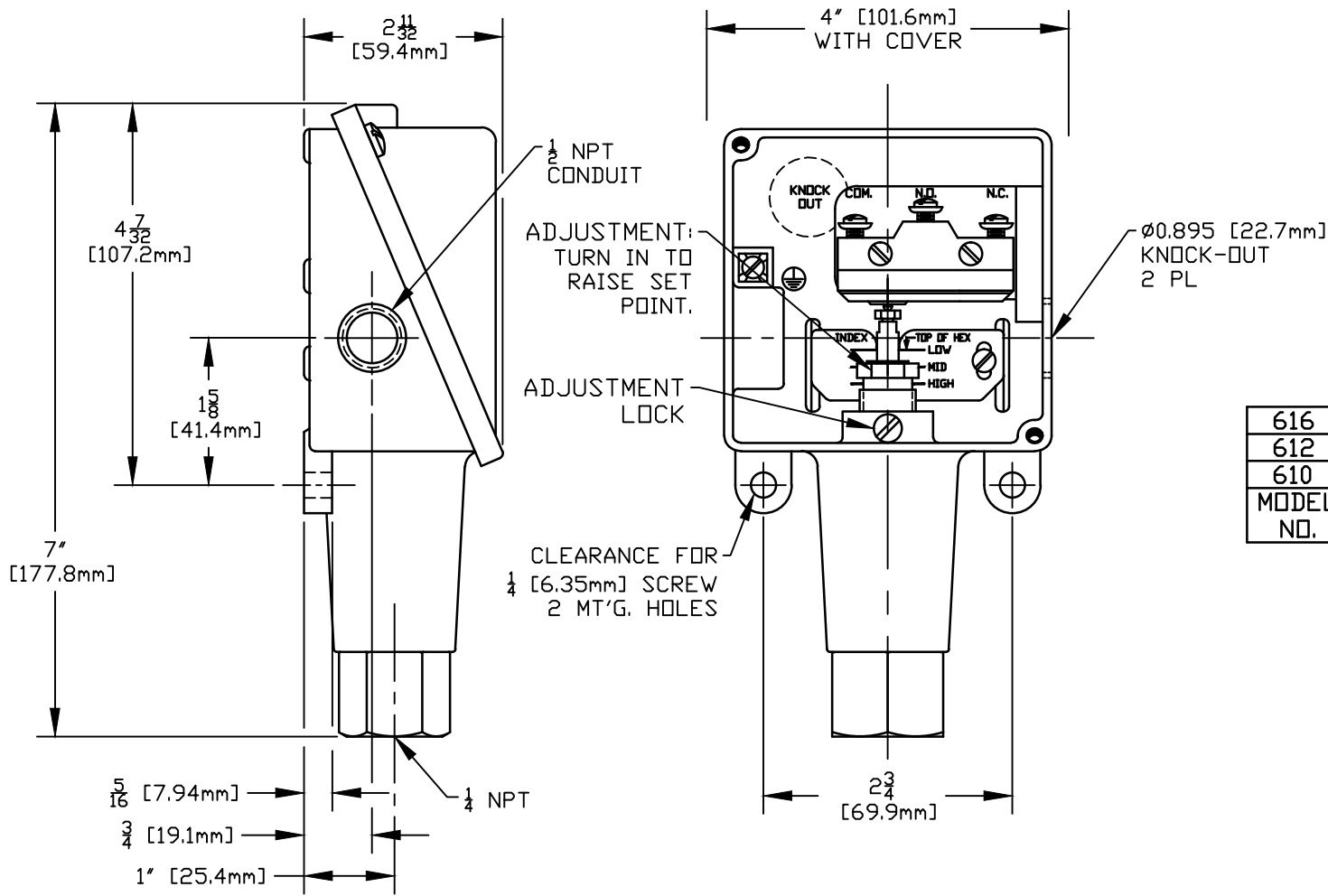



UL LISTED, CSA CERTIFIED.  
CONFORMS TO NEMA 4X & IP65  
REQUIREMENTS.

I & M SHEET IMP100.



616	700 TO 5000	48.3 TO 344.7
612	125 TO 3000	8.6 TO 206.8
610	75 TO 1000	5.2 TO 68.9
MODEL NO.	psi	bar
	ADJUSTABLE RANGE	
	LOW END OF RANGE ON FALL	
	HIGH END OF RANGE ON RISE	

U	CHANGED MPa TO bar. ECN#E0046	10-23-02	S.R.	H.N.	ORIGINAL DATE 12-5-85	TITLE H100	 DF001D UNITED ELECTRIC CONTROLS COMPANY WATERTOWN * MASSACHUSETTS
T	ADDED 1" (25.4mm) & 5/16 (7.94mm) DIMENSIONS. ECN#C6848	10-31-97	P.W.	A.M.	DRWN J.S. MACHADO		
S	RANGE WAS 100 TO 1000 PSI ON MODEL 610; & WAS 200 TO 3000 ON MODEL 612. ECN#C5857	9-27-96	P.W.	M.D.J.	CHKD J.S. MACHADO		
R	REV. COVER SCREW AND ADDED "O"RING ON "M" DWG. ECN#C4972	11-10-95	A.E.	J.S.M.	APPD J.S. MACHADO		
P	REVISED & UPDATED PER ECN#C2515	7-23-93	P.W.	A.M.	UNLESS OTHERWISE SPECIFIED DIMENSIONS ARE IN INCHES	DWG NO	A-12707
SYM	DESCRIPTION	DATE	DWN	APPD	SCALE HALF		
REVISIONS					DO NOT SCALE THIS DRAWING		