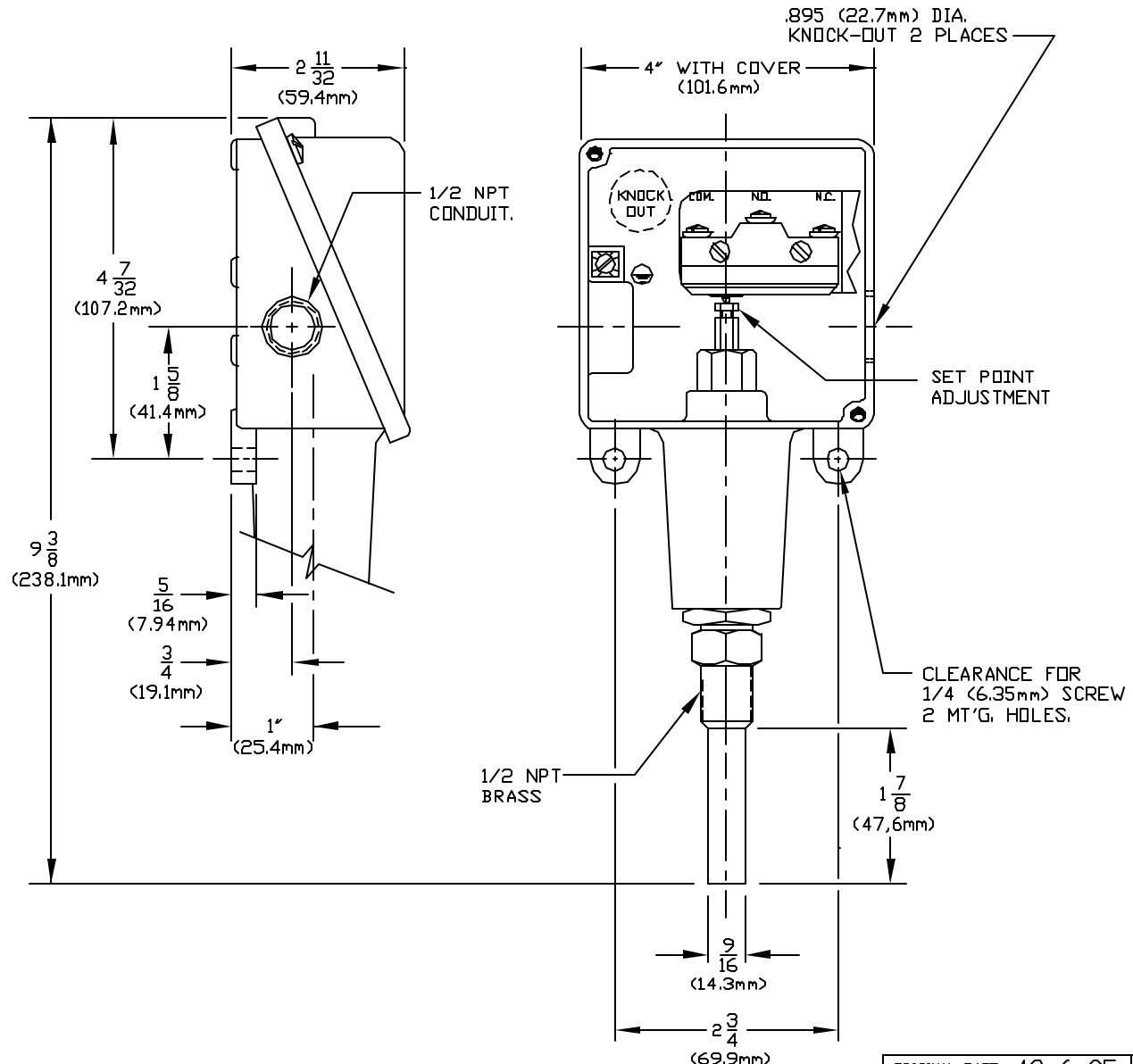


A-12702

UL LISTED, CSA CERTIFIED,  
CONFORMS TO NEMA 4X & IP65  
REQUIREMENTS.

I & M SHEET INT100.




121	200 TO 425	95 TO 215
120	0 TO 225	-15 TO 105
MODEL	°F	°C
NO.	ADJUSTABLE RANGE	

SYN	DESCRIPTION	DATE	DWN	APPD
U	DELETED ADJ. LOCK & ADDED REF. TO SET POINT ADJ. ECN# E0004	9/6/02	PLW	L.K.
T	ADDED 1" (25.4mm) & 5/16 (7.94mm) DIMENSIONS. ECN#C6848	10-31-97	P.W.	A.M.
S	REV. COVER SCREW AND ADDED "O" RING TO "M" DVG. ECN#C4972	11-10-95	AE.	J.S.M.
R	6-7/32 (158.0mm) DELETED. ECN#C2969	4-26-94	P.W.	A.M.
Q	REVISED & UPDATED PER ECN#C2515	8-10-93	P.W.	A.M.

ORIGINAL DATE	12-6-85
DRWN	J.S.MACHADO
CHKD	J.S.MACHADO
APPD	J.S.MACHADO
UNLESS OTHERWISE SPECIFIED DIMENSIONS ARE IN INCHES	
TOLERANCES ON FRACTIONS: 1/64	
2 PLACE DEC 3 PLACE DEC ANGLES	
±.010 ±.005 ±1/2"	
DO NOT SCALE THIS DRAWING	

TITLE	C100
SCALE	HALF

DF1



UNITED ELECTRIC  
CONTROLS COMPANY  
WATERTOWN \* MASSACHUSETTS

DWG NO  
A-12702