

UL LISTED, CSA CERTIFIED, NEMA 4.
I & M SHEET IMP400.

A-12357

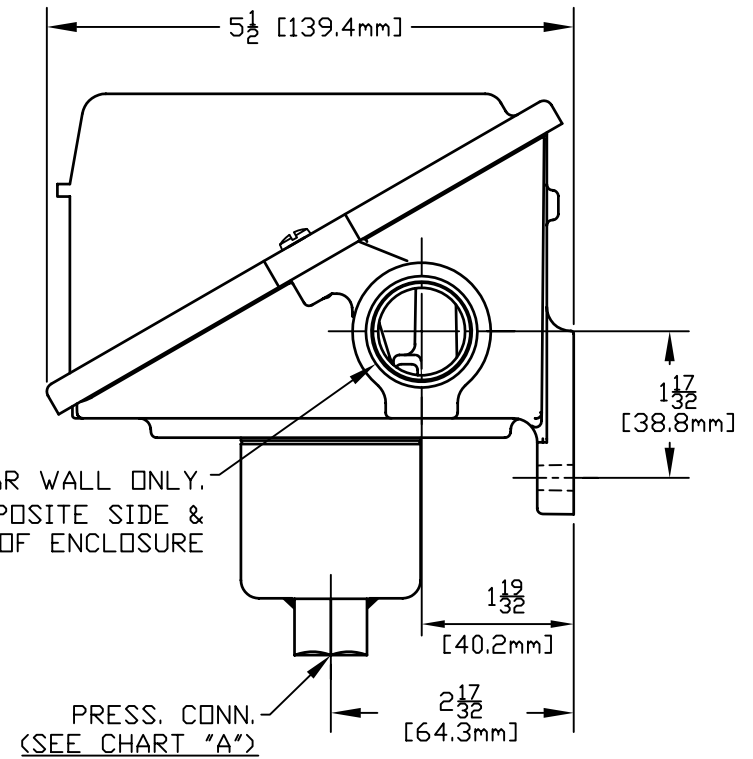
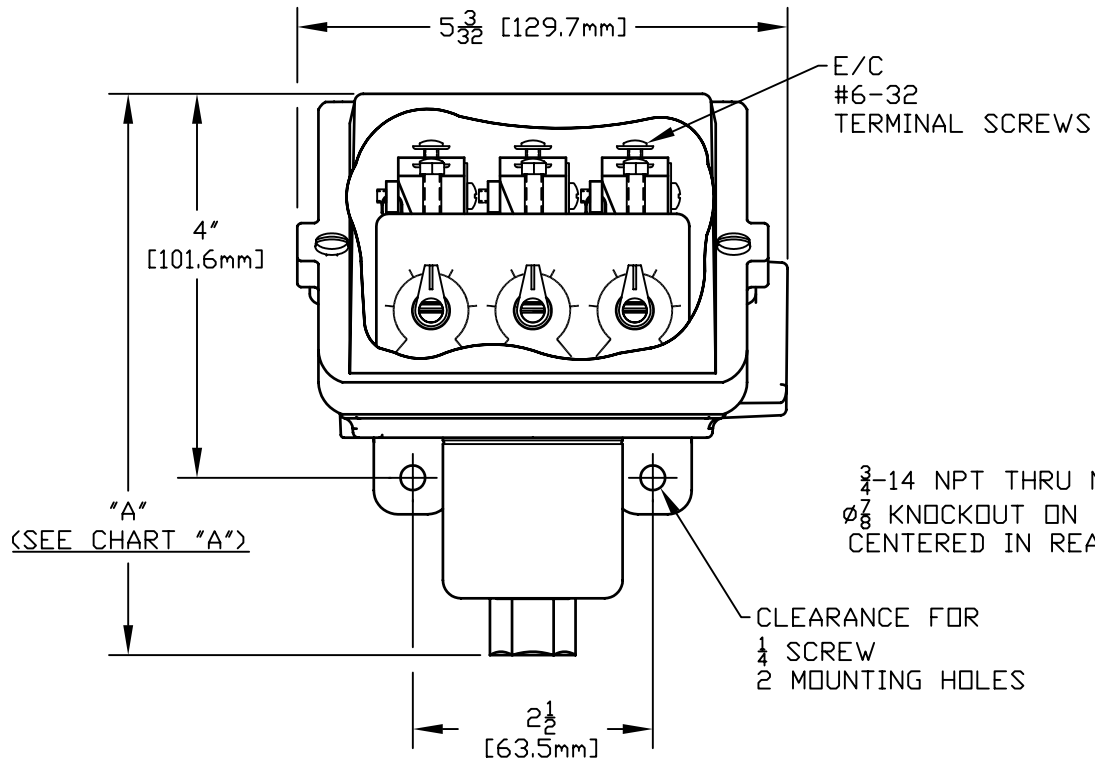


CHART "A"

126-164	BRASS, NICKEL PLATED	5 29/32 [150.0mm]	1/4 NPT
S126B-S164B	#316 st/st	6 5/16 [160.3mm]	1/2 NPT
MODEL NO	SENSOR HOUSING MAT'L.	DIM "A"	PRESS. CONN.

164	S164B	0 to 200	0 to 13.8
156	S156B	0 to 100	0 to 6.9
146	S146B	0 to 30	0 to 2.1
144	S144B	0 to 20	0 to 1379.0 mbar
134	S134B	30" Hg Vac to 20	-1.0 bar to 1379.0 mbar
126	S126B	30" Hg Vac to 0	-1.0 to 0
MODEL NO.	MODEL NO.	psi	bar
ADJUSTABLE RANGE			
LOW END OF RANGE ON FALL			
HIGH END OF RANGE ON RISE			

V	DIM. "A" WAS 5 1/2 [139.7mm] FOR MODELS 126-164 AND 5 29/32 [150.0mm] FOR MODELS S126B-S164B. ECN# E2891	10/13/08	PLW	L.K.
U	REDRAWN. UPDATED ENCLOSURE. ECN#E0821	6-28-04	S.R.	HN
SYM	DESCRIPTION	DATE	DWN	APPD
REVISIONS				

ORIGINAL DATE	11-26-86
DRWN	A. EBALD
CHKD	N. MacKAY Jr.
APPD	A. MINASSIAN

UNLESS OTHERWISE SPECIFIED
DIMENSIONS ARE IN INCHES

DO NOT SCALE THIS DRAWING

TITLE	H403
SCALE	1:2

DF001D

UNITED ELECTRIC
CONTROLS COMPANY
WATERTOWN * MASSACHUSETTS

DWG NO
A-12357