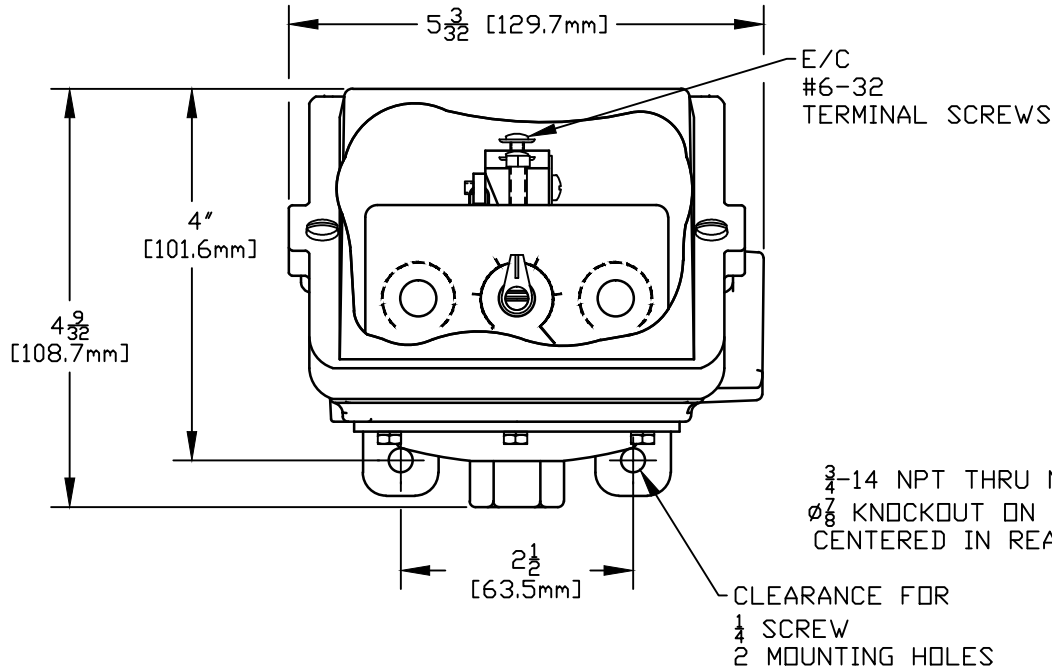
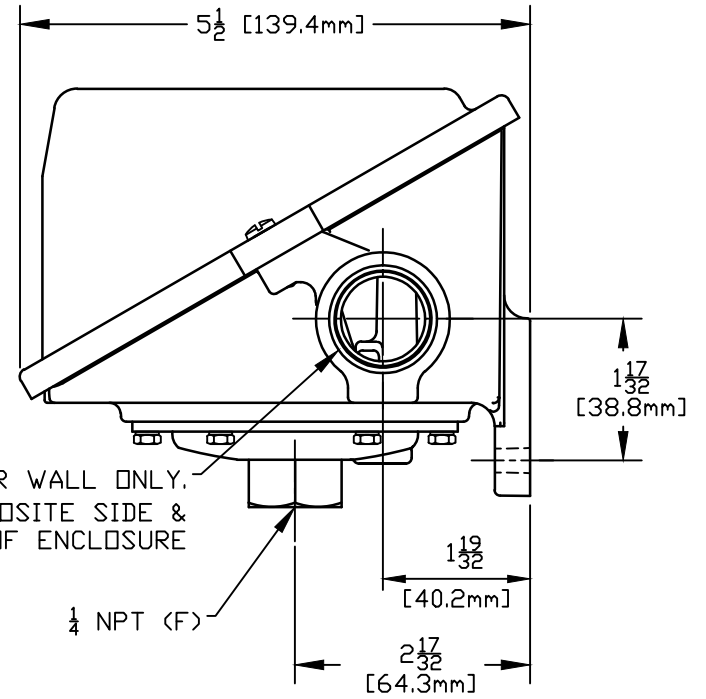


UL LISTED, CSA CERTIFIED, NEMA 4.
I & M SHEET IMP400.

A-12340



3/4-14 NPT THRU NEAR WALL ONLY.
Ø 7/8 KNOCKOUT ON OPPOSITE SIDE & CENTERED IN REAR OF ENCLOSURE



ØBS. ØC#27442

443	0 to 80	0 to 199.1
442	0 to 20	0 to 49.8
441	0 to 10	0 to 24.9
440	0 to 2	0 to 5.0
MODEL NO.	"wc	mbar
	ADJUSTABLE RANGE	
	LOW END OF RANGE ON FALL	
	HIGH END OF RANGE ON RISE	

SYM	DESCRIPTION	DATE	DWN	APPD
W	UPDATED ENCLOSURE WAS 60400-2. UPDATED COVER. ECN# E3920	3-18-11	RCI	RAM
V	REDRAWN. UPDATED ENCLOSURE. ECN#E0821	6-28-04	S.R.	HN
REVISIONS				

ORIGINAL DATE 3-12-87
DRWN A. EBALD
CHKD A.J. FLECCA
APPD A. MINASSIAN

UNLESS OTHERWISE SPECIFIED
DIMENSIONS ARE IN INCHES

DO NOT SCALE THIS DRAWING

TITLE
H400-
441 TO 443

SCALE 1:2



UNITED ELECTRIC
CONTROLS COMPANY
WATERTOWN * MASSACHUSETTS

DWG NO
A-12340

DF001D