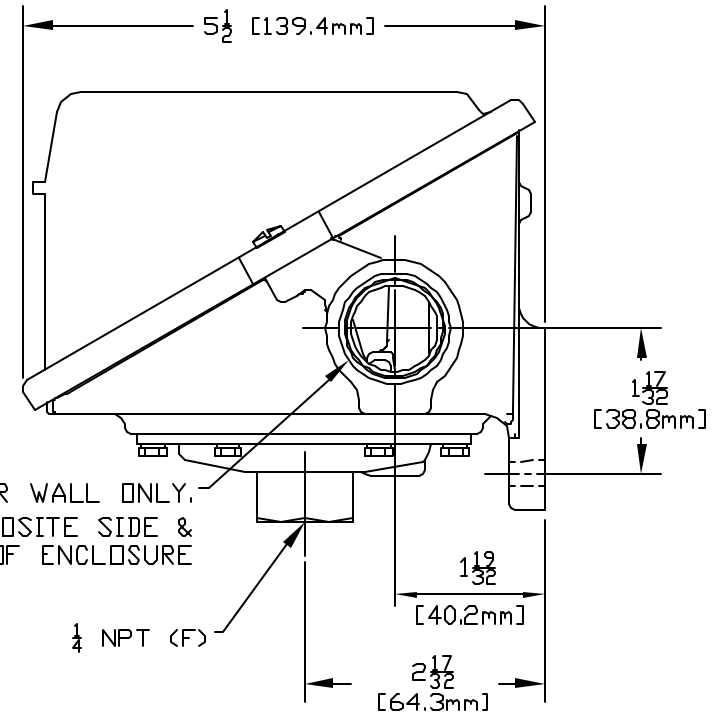
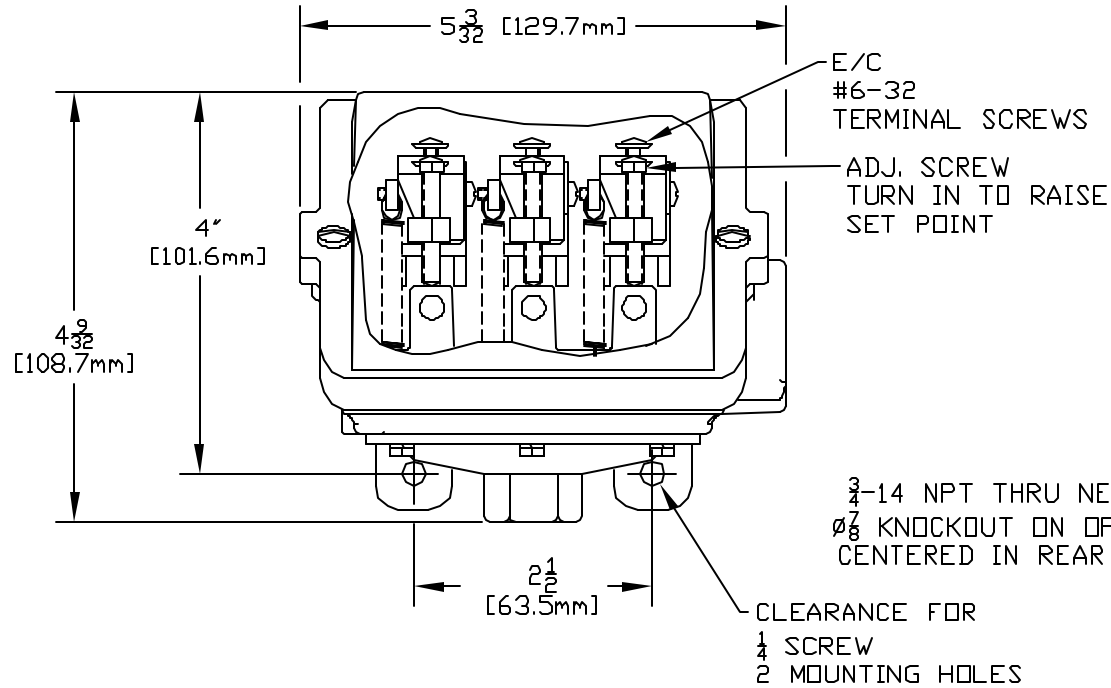


UL RECOGNIZED COMPONENT,
CSA CERTIFIED, NEMA 4.
I & M SHEET IMP400.

A-12328



443	0 to 80"	0 to 199.1
442	0 to 20"	0 to 49.8
MODEL NO.	WC	mbar
ADJUSTABLE RANGE		
LOW END OF RANGE ON FALL		
HIGH END OF RANGE ON RISE		

R	REDRAWN, UPDATED ENCLOSURE, ECN#E0821	6-28-04	S.R.	HN
SYM	DESCRIPTION	DATE	DWN	APPD
REVISIONS				

ORIGINAL DATE	11-7-86
DRWN	J. CARTER
CHKD	N. MacKAY Jr.
APPD	A. MINASSIAN
UNLESS OTHERWISE SPECIFIED DIMENSIONS ARE IN INCHES	

TITLE
J403-
442 & 443



UNITED ELECTRIC
CONTROLS COMPANY
WATERTOWN * MASSACHUSETTS

DF001D

DWG NO
A-12328

DO NOT SCALE THIS DRAWING

SCALE 1:2