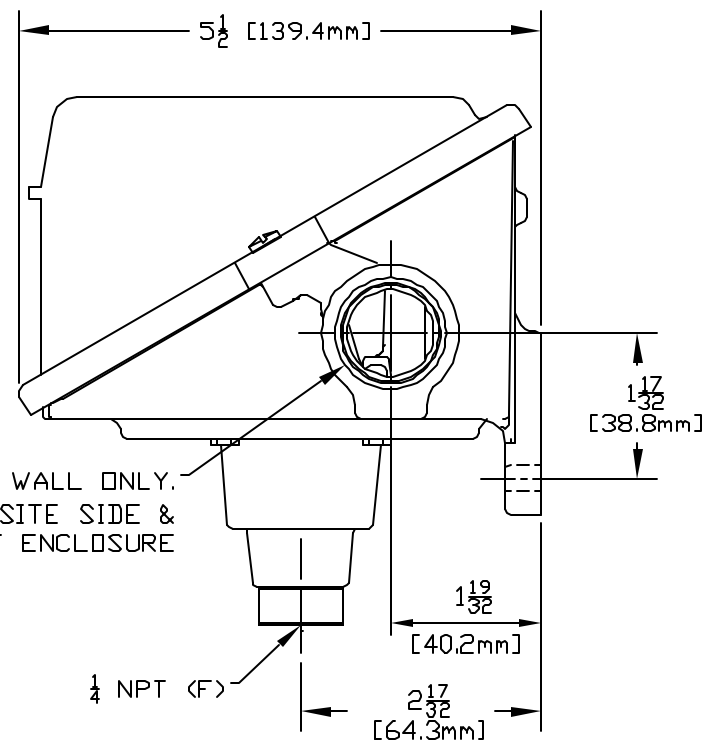
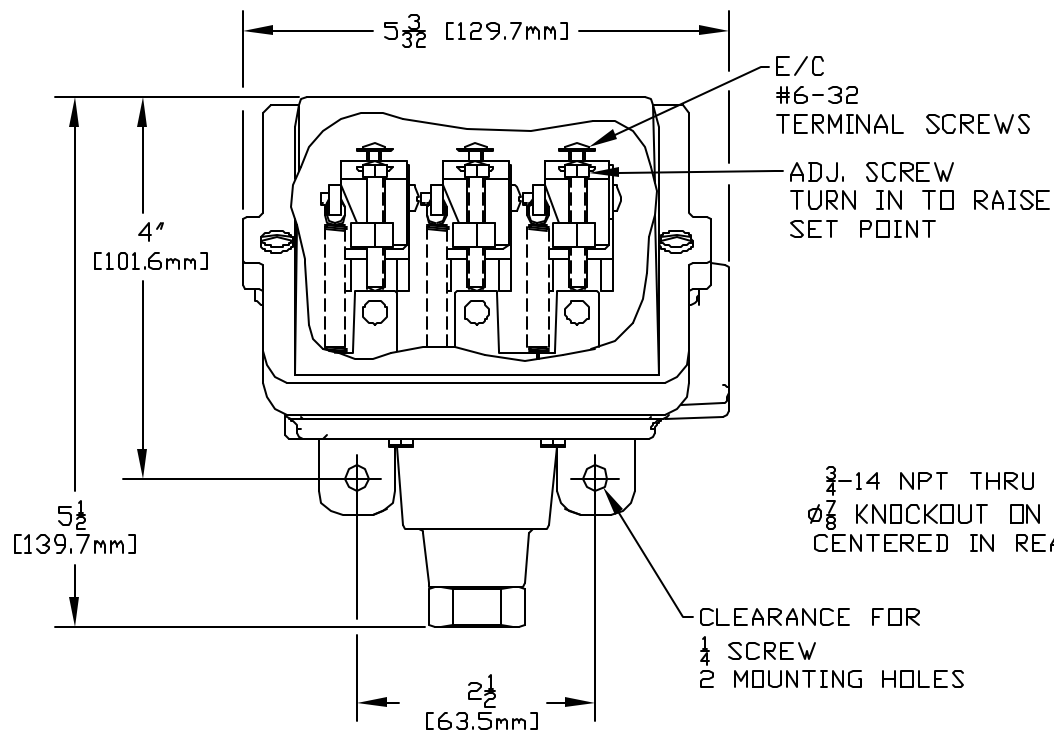


UL RECOGNIZED COMPONENT,
CSA CERTIFIED, NEMA 4.
I & M SHEET IMP400.



376	0 to 500	0 to 34.5
361	0 to 300	0 to 20.7
358	0 to 200	0 to 13.8
MODEL NO.	psi	bar
ADJUSTABLE RANGE		
LOW END OF RANGE ON FALL		
HIGH END OF RANGE ON RISE		

R	REDRAWN, UPDATED ENCLOSURE, ECN#E0821	6-28-04	S.R.	HN
SYM	DESCRIPTION	DATE	DWN	APPD
REVISIONS				

ORIGINAL DATE	11-7-86
DRWN	J. CARTER
CHKD	N. MacKAY JR.
APPD	A. MINASSIAN
UNLESS OTHERWISE SPECIFIED DIMENSIONS ARE IN INCHES	

TITLE	J403 358, 361 & 376
SCALE	1:2

DF001D	UE UNITED ELECTRIC CONTROLS COMPANY WATERTOWN * MASSACHUSETTS
DWG NO	A-12324

DO NOT SCALE THIS DRAWING