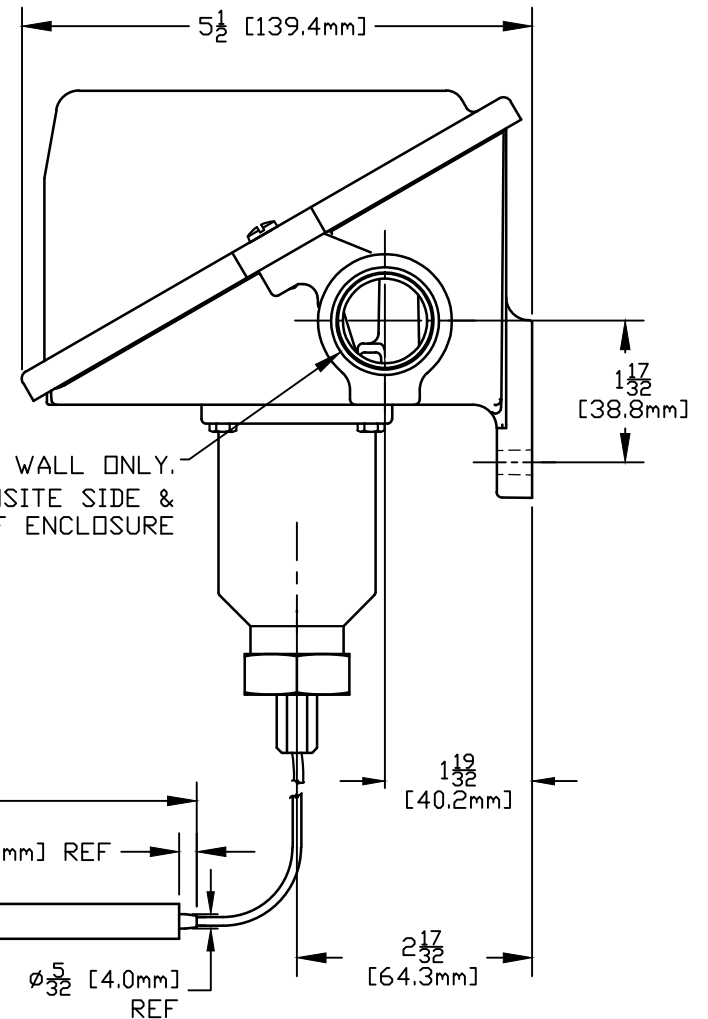
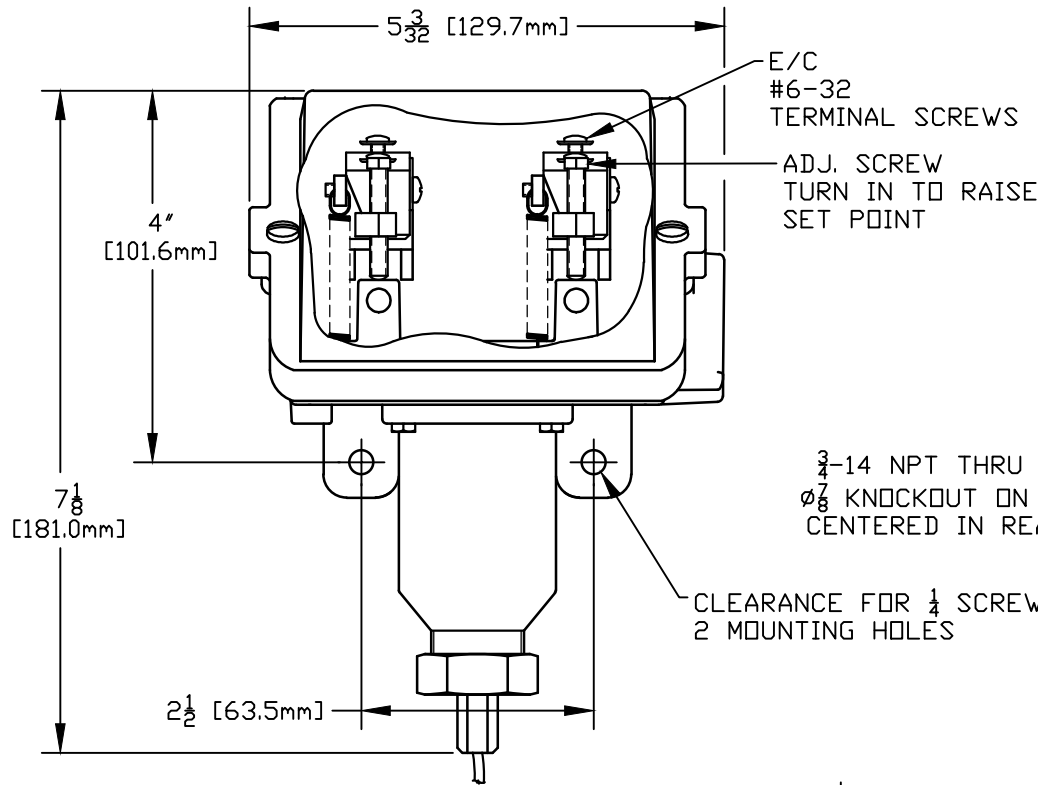
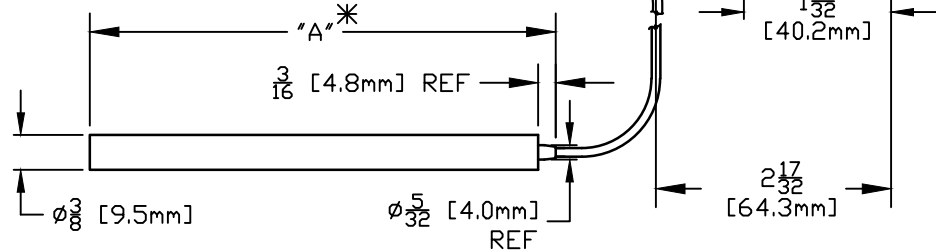


UL LISTED, cUL CERTIFIED, NEMA 4.
I & M SHEET IMT400.
FM APPROVAL

A-12319



8BS	50 TO 650	10 TO 340	3.250	82.55
7BS	0 TO 400	-20 TO 200	3.000	76.20
6BS	0 TO 250	-20 TO 120	4.500	114.30
5BS	-40 TO 180	-40 TO 80	5.000	127.00
4BS	-40 TO 120	-40 TO 50	6.750	171.45
3BS	-125 TO 500	-85 TO 260	2.125	53.98
2BS	-125 TO 350	-85 TO 175	2.625	66.68
1BS	-180 TO 120	-115 TO 50	3.750	95.25
MODEL NO.	°F	°C	in.	mm
	ADJUSTABLE RANGE		DIM. "A"	



* USE DIMENSION "A" FOR SEPARABLE WELL INSTALLATIONS.

OBS. DC#27431

SYM	DESCRIPTION	DATE	DWN	APPD
S	7 1/8 [181.0mm] DIM WAS 6 23/32 [170.7mm] ECN#E4532	7-30-12	SR	WK
R	VIEWS UPDATED TO REFLECT CHGS TO BASE CASTING & COVER. ECN#E3920	3/18/11	MJF	RAM
P	ADDED 3/16 & 5/32 DIMS TO BULB. ADDED NOTE: USE DIM. "A" FOR SEPARABLE WELL INSTALLATION. cUL CERT. WAS CSA. ECN#E3315	10-2-09	SR	RAM
N	REDRAWN. UPDATED ENCLOSURE. ECN#E0821	6-28-04	S.R.	HN

ORIGINAL DATE	11-7-86
DRWN	P. WEILER
CHKD	A.J. FLECCA
APPD	A. MINASSIAN
UNLESS OTHERWISE SPECIFIED DIMENSIONS ARE IN INCHES	
DO NOT SCALE THIS DRAWING	

TITLE	F 402 2 TO 8
SCALE	1:2

DF001D
UE
UNITED ELECTRIC CONTROLS COMPANY WATERTOWN * MASSACHUSETTS
DWG NO A-12319