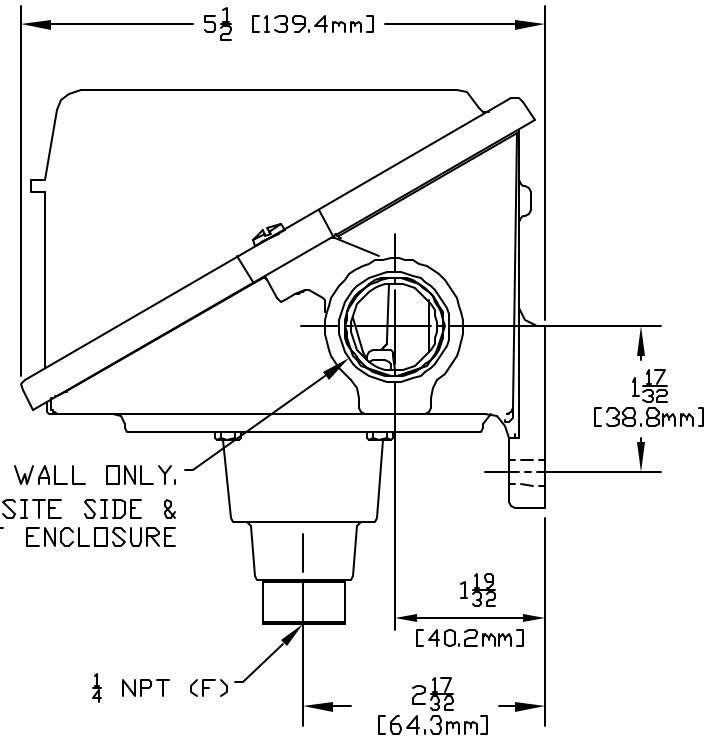
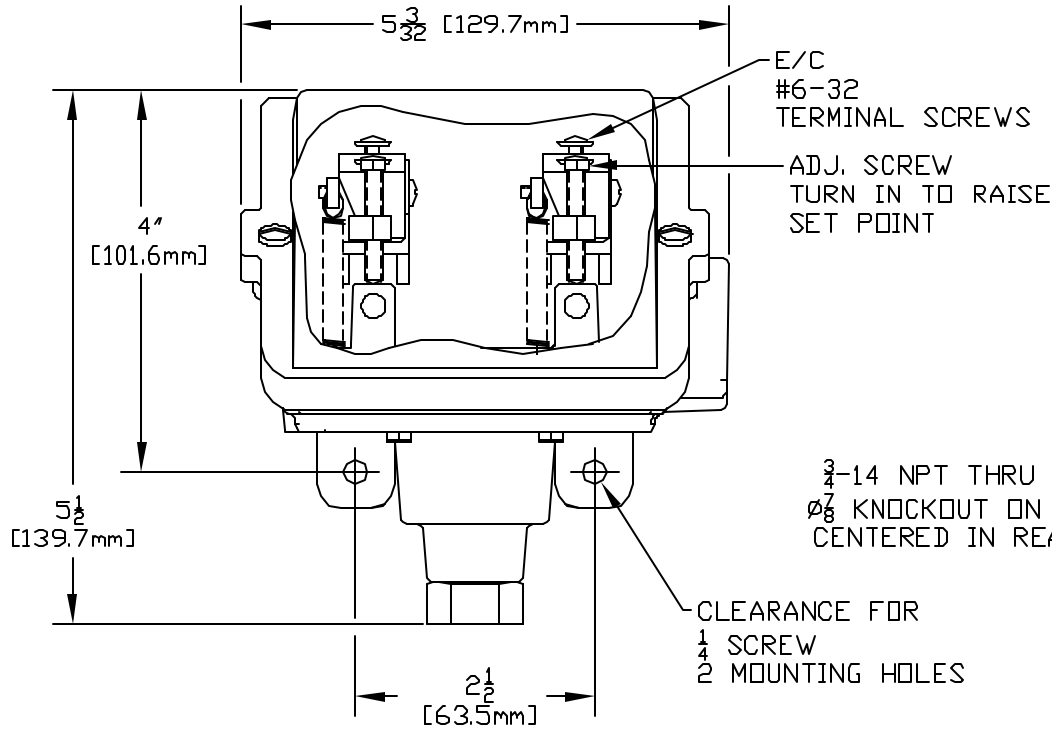


UL LISTED, CSA CERTIFIED, NEMA 4.
I & M SHEET IMP400.



274	0 to 300	0 to 20.7
270	0 to 200	0 to 13.8
MODEL NO.	psi	bar
	ADJUSTABLE RANGE	
	LOW END OF RANGE ON FALL	
	HIGH END OF RANGE ON RISE	

M	REDRAWN, UPDATED ENCLOSURE. ECN#E0821	6-28-04	S.R.	HN
SYM	DESCRIPTION	DATE	DWN	APPD
	REVISIONS			

ORIGINAL DATE	11-5-87
DRWN	J. CARTER
CHKD	NEIL MACKAY
APPD	A. MINASSIAN
UNLESS OTHERWISE SPECIFIED DIMENSIONS ARE IN INCHES	

TITLE	J402 270 & 274
SCALE	1:2

DF001D
UNITED ELECTRIC CONTROLS COMPANY WATERTOWN * MASSACHUSETTS
DWG NO A-12311

DO NOT SCALE THIS DRAWING