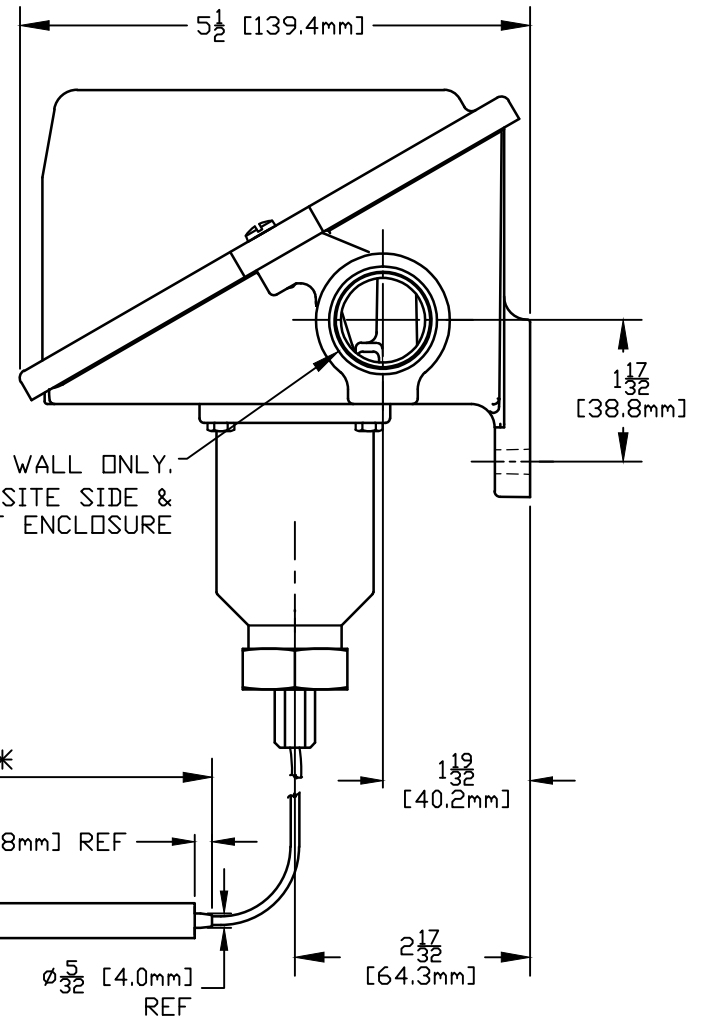
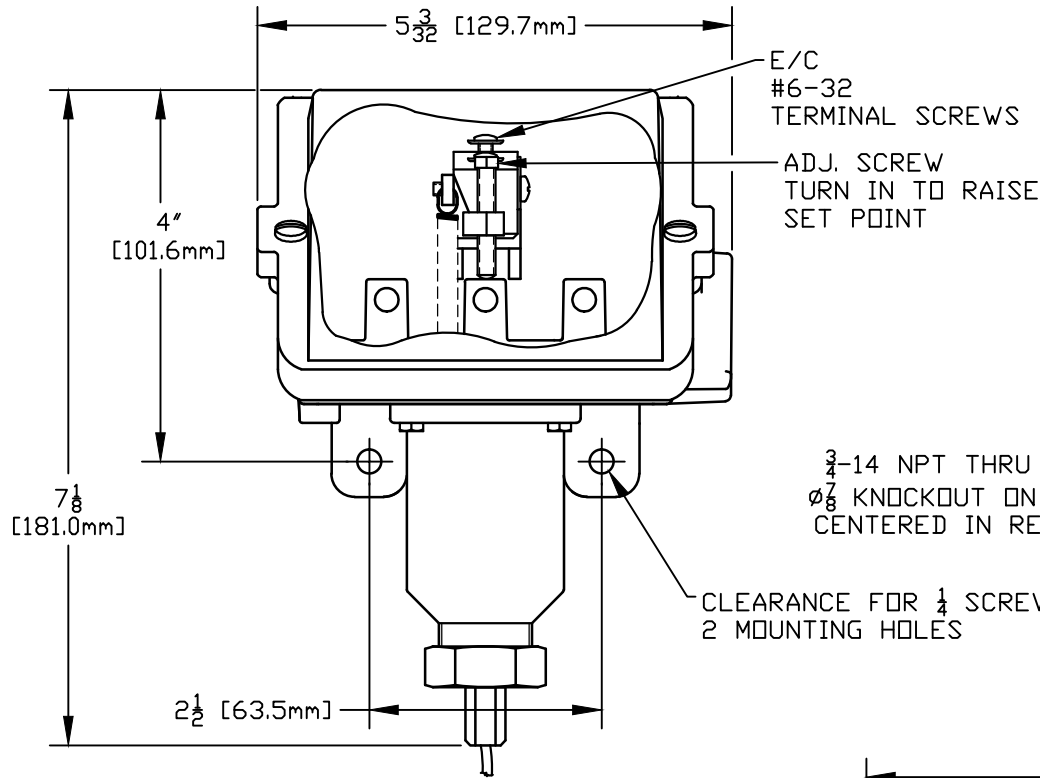
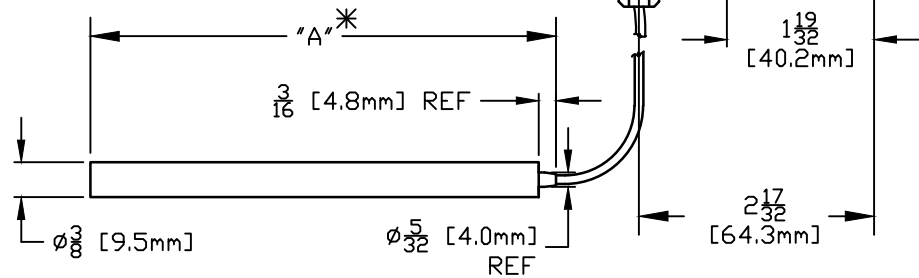


UL LISTED, cUL CERTIFIED, NEMA 4.
I & M SHEET IMT400.
FM APPROVAL



8BS	50 TO 650	10 TO 340	3.250	82.55
7BS	0 TO 400	-20 TO 200	3.000	76.20
6BS	0 TO 250	-20 TO 120	4.500	114.30
5BS	-40 TO 180	-40 TO 80	5.000	127.00
4BS	-40 TO 120	-40 TO 50	6.750	171.45
3BS	-125 TO 500	-85 TO 260	2.125	53.98
2BS	-125 TO 350	-85 TO 175	2.625	66.68
1BS	180 TO 120	115 TO 50	3.750	95.25
MODEL NO.	ADJUSTABLE RANGE		in.	mm
	°F	°C		
	DIM. "A"			



* USE DIMENSION "A" FOR SEPARABLE WELL INSTALLATIONS.

OBS. DC#27431

SYM	DESCRIPTION	DATE	DWN	APPD
P	VIEWS UPDATED TO REFLECT CHGS TO BASE CASTING & COVER. ECN#E3920	3/18/11	MJF	RAM
N	ADDED 3/16 & 5/32 DIMS TO BULB. ADDED NOTE: USE DIM. "A" FOR SEPARABLE WELL INSTALLATION. cUL CERT. WAS CSA. ECN#E3315	10-2-09	SR	RAM
M	7 1/8 [181.0mm] WAS 6 23/32 [170.7mm] REMOVED AGENCY STAMP. ECN# E3009	1/13/09	PLW	RAM
L	REDRAWN. UPDATED ENCLOSURE. ECN#E0821	6-28-04	S.R.	HN

ORIGINAL DATE	5-26-87
DRWN	A. EBALO
CHKD	A.J. FLECCA
APPD	A.MINASSIAN
UNLESS OTHERWISE SPECIFIED DIMENSIONS ARE IN INCHES	
DO NOT SCALE THIS DRAWING	

TITLE	F 400 2 TO 8
SCALE	1:2

DF001D
UE
UNITED ELECTRIC CONTROLS COMPANY WATERTOWN * MASSACHUSETTS
DWG NO A-12307