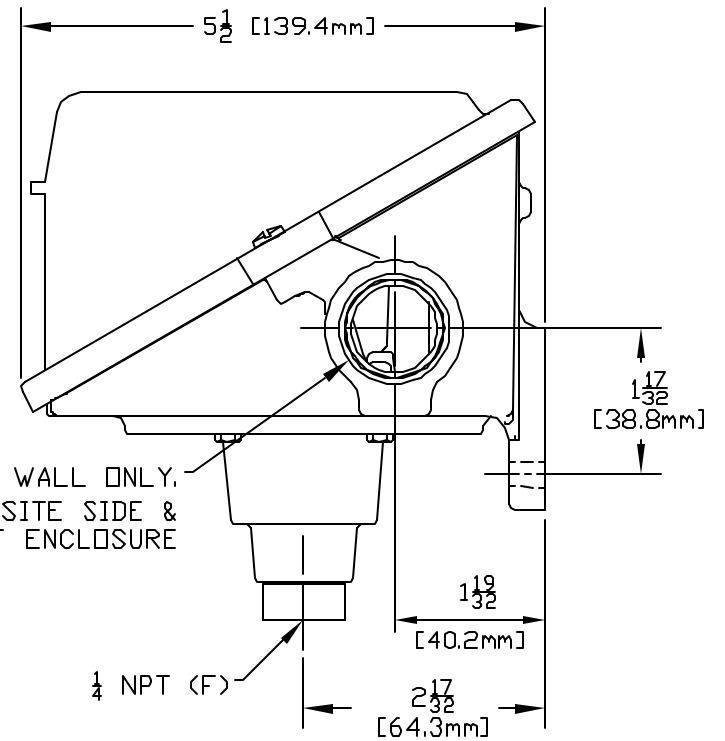
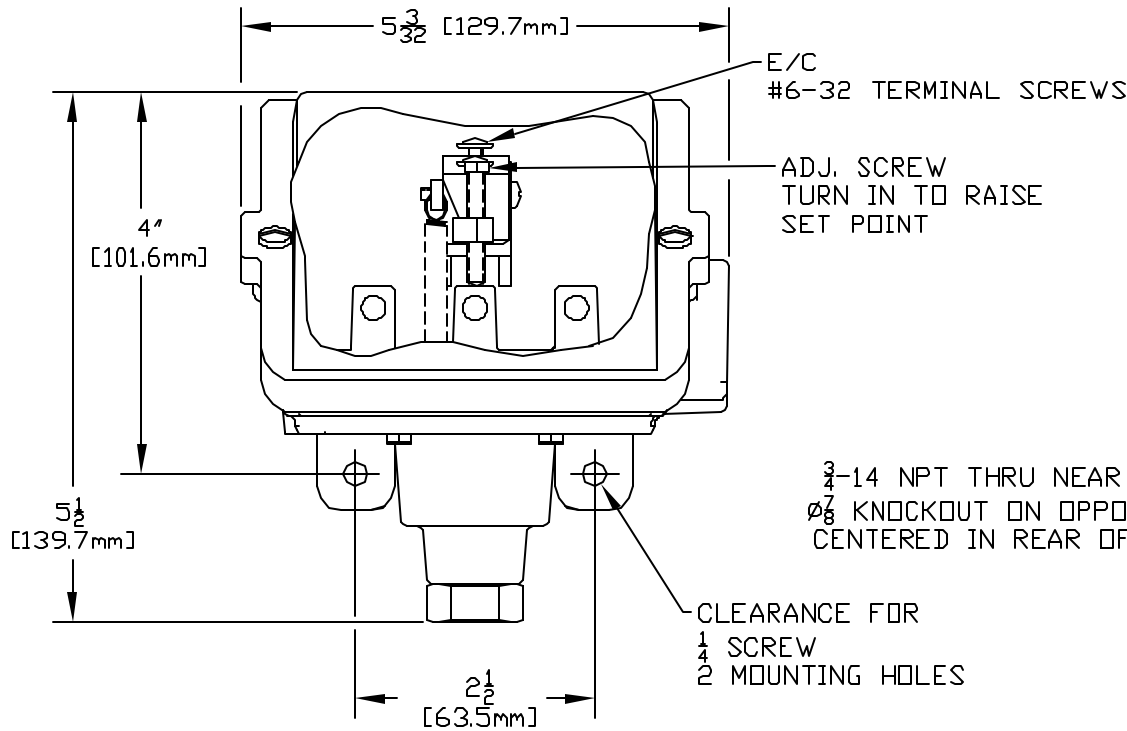


UL LISTED, CSA CERTIFIED, NEMA 4.
I & M SHEET IMP400.

A-12300



376	0 to 500	0 to 34.5
361	0 to 300	0 to 20.7
358	0 to 200	0 to 13.8
MODEL NO.	psi	bar
ADJUSTABLE RANGE		
LOW END OF RANGE ON FALL HIGH END OF RANGE ON RISE		

M	REDRAWN, UPDATED ENCLOSURE. ECN#E0821	6-28-04	S.R.	HN
SYM	DESCRIPTION	DATE	DWN	APPD
REVISIONS				

ORIGINAL DATE	5-12-87
DRWN	A.EBALD
CHKD	A.J. FLECCA
APPD	A.MINASSIAN
UNLESS OTHERWISE SPECIFIED DIMENSIONS ARE IN INCHES	
DO NOT SCALE THIS DRAWING	

TITLE	J400 358, 361 & 376
SCALE	1:2

DF001D
UNITED ELECTRIC CONTROLS COMPANY WATERTOWN * MASSACHUSETTS
DWG NO A-12300