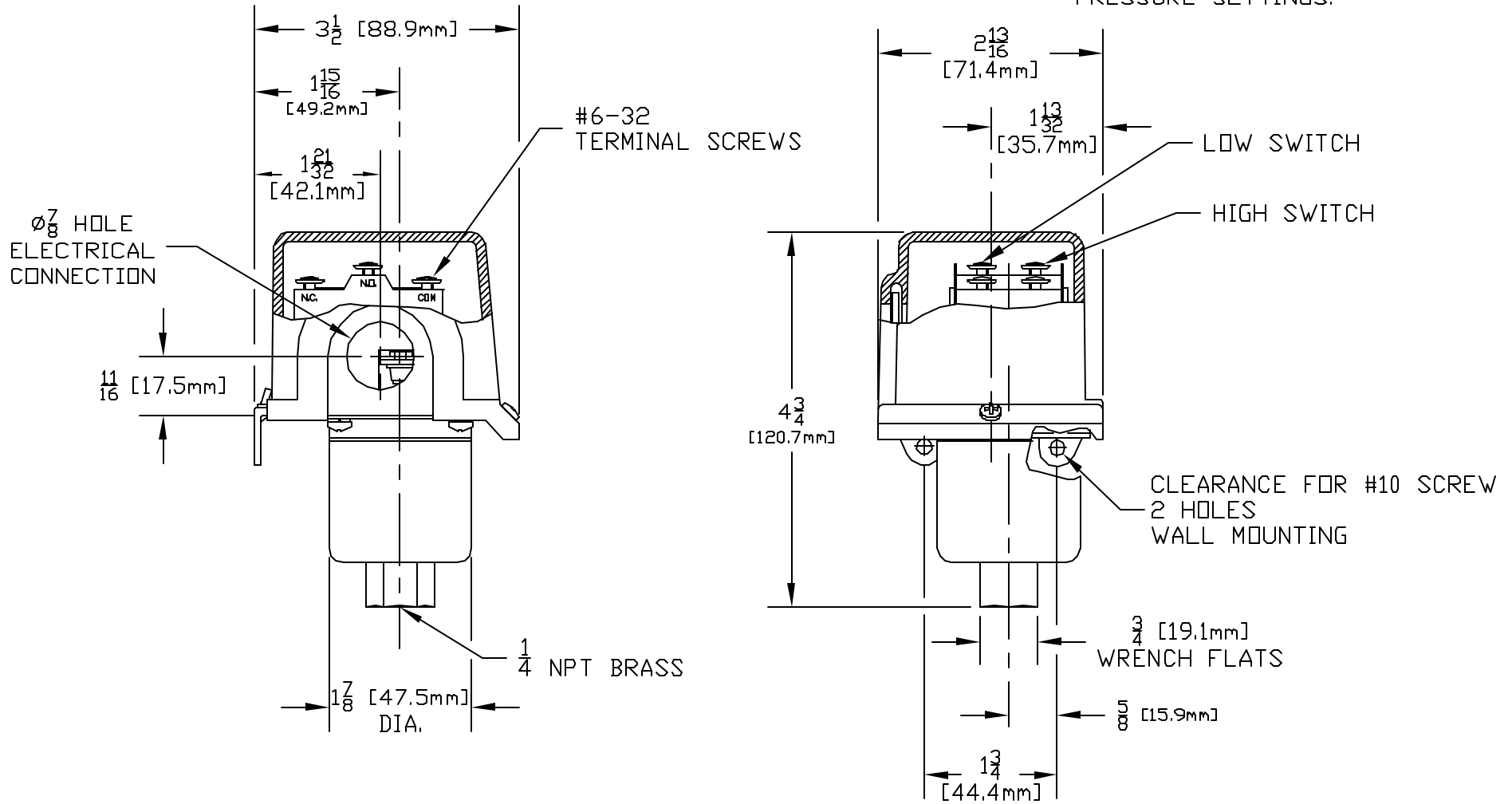


NOTE:


1. REMOVE PROTECTIVE COVER & TURN ADJUSTING SCREW TO CHANGE PRESSURE SETTINGS.



ORIGINAL DATE	6-30-81
DRWN	N.E. MCKAY
CHKD	A.J. MUSTO
APPD	E.A. DesROSIERS
UNLESS OTHERWISE SPECIFIED DIMENSIONS ARE IN INCHES TOLERANCES ON FRACTIONS ±1/64	
2 PLACE DEC 3 PLACE DEC ANGLES ±0.01 ±0.05 ±1/2°	
DO NOT SCALE THIS DRAWING	

TITLE	J54A 137 TO 164 (PRESSURE)
SCALE	0.5:1

DF001
REV. C



UNITED ELECTRIC
CONTROLS COMPANY
WATERTOWN * MASSACHUSETTS

DWG NO
A-12171

L	DESCRIPTION	DATE	DWN	APPD
L	REDRAWN. DWG. WAS "B" SIZE. ECN#C7846	12-23-98	S.R.	L.K.
REVISIONS				

THIS DOCUMENT IS PROPRIETARY PROPERTY OF
UNITED ELECTRIC CONTROLS.
UNAUTHORIZED USE IS STRICTLY PROHIBITED.