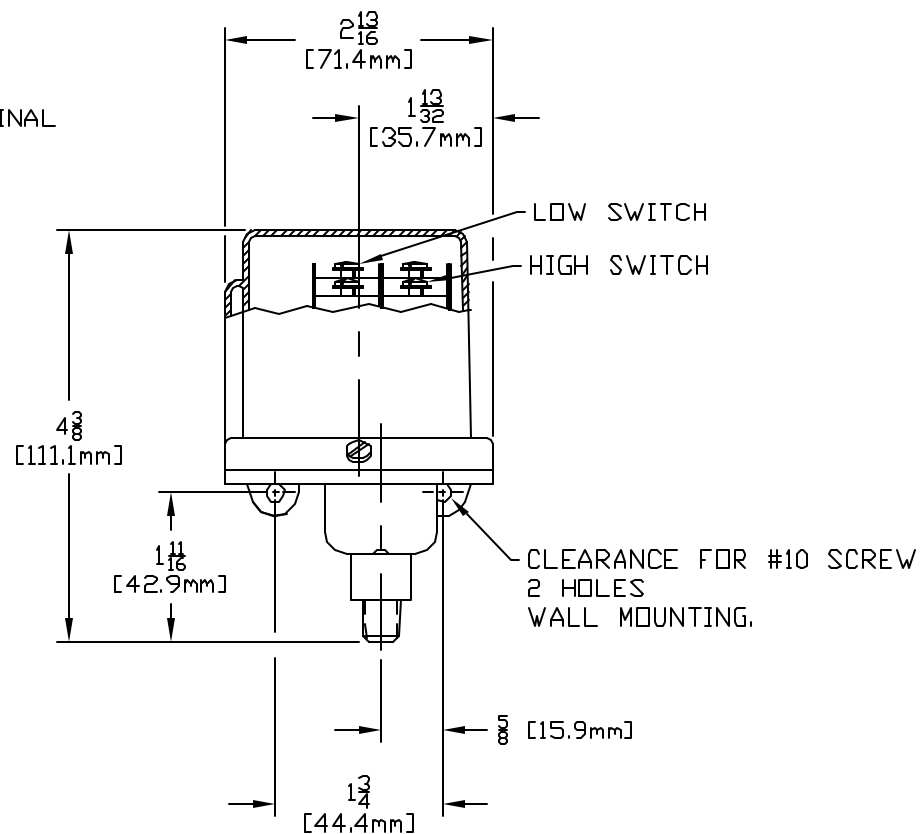
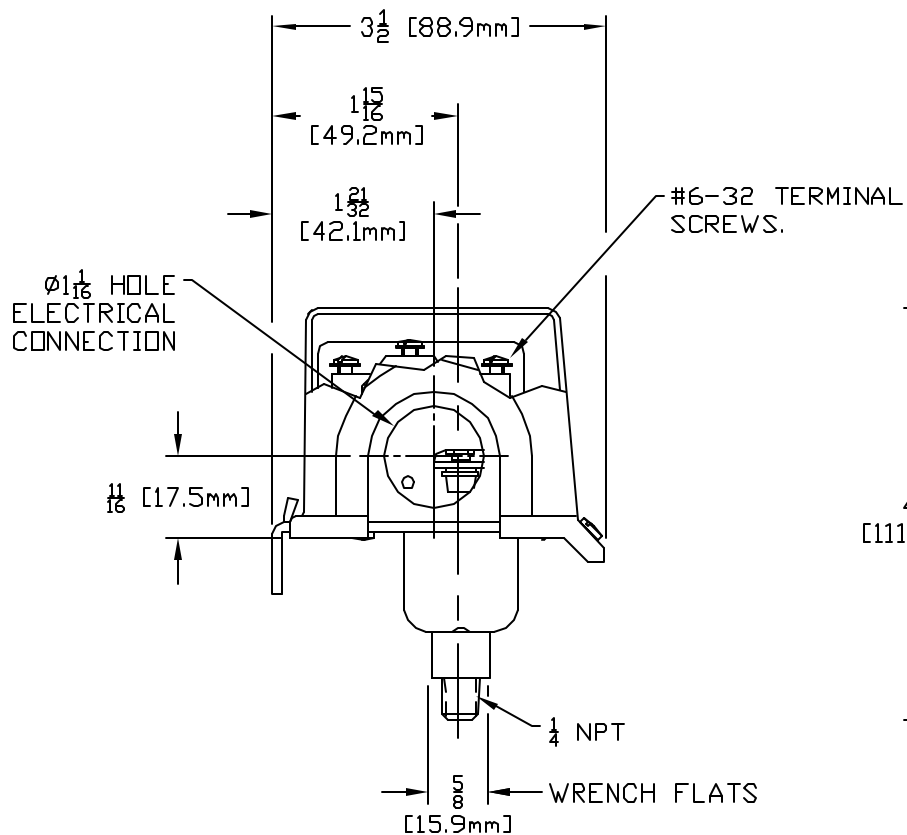


NOTES:

1. REMOVE PROTECTIVE COVER & TURN ADJUSTING SCREWS TO CHANGE VACUUM SETTINGS.




SYM	DESCRIPTION	DATE	DWN	APPD
J	Ø1-1/16 HOLE FOR ELECTRICAL CONNECT. WAS Ø7/8. ECN#E0763	4-27-04	S.R.	LK
H	REDRAWN. NO CHANGE. ECN#C6365	5-14-97	P.W.	L.K.
REVISIONS				

ORIGINAL DATE	6-30-81
DRWN	N. MacKAY JR.
CHKD	A.J.MUSTO JR.
APPD	E.A.DESROSIER

UNLESS OTHERWISE SPECIFIED
 DIMENSIONS ARE IN INCHES
 TOLERANCES ON FRACTIONS ±1/64
 2 PLACE DEC 3 PLACE DEC ANGLES
 ±0.010 ±0.005 ±1/2°
 DO NOT SCALE THIS DRAWING

TITLE	J54A MODEL 22 (VACUUM)
SCALE	HALF

DF001D



UNITED ELECTRIC
 CONTROLS COMPANY
 WATERTOWN * MASSACHUSETTS

DWG NO
 A-12168