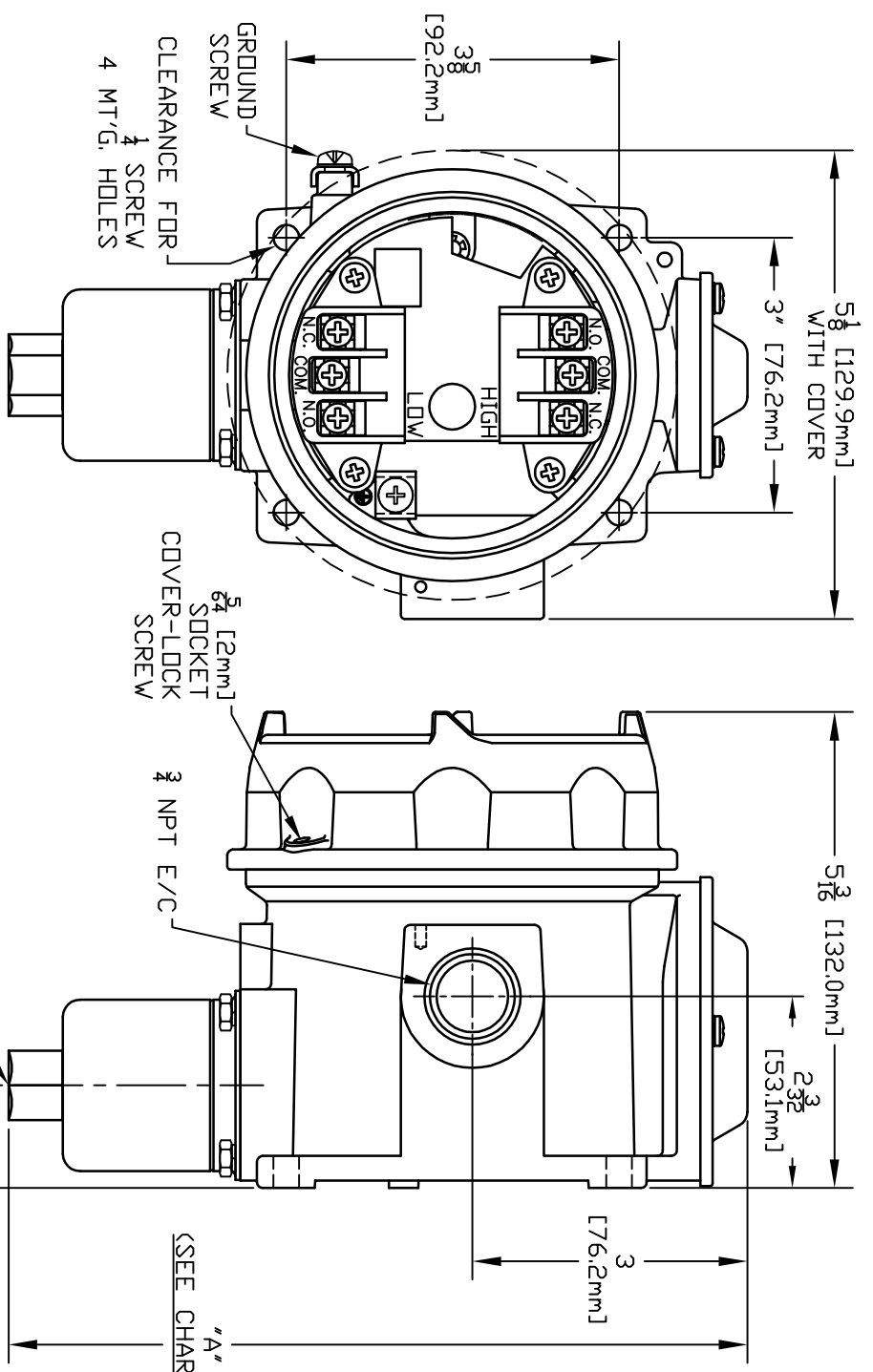




APPROVALS:
 CLASS LISTED
 CLASS I, DIVISIONS 1 & 2,
 GROUPS B, C & D
 CLASS II, DIVISIONS 1 & 2,
 GROUPS E, F & G
 CLASS III
 -50°C ≤ Tamb. ≤ +71°C
 CLASS I, ZONE 1, GROUP IIB + H₂ T6
 ENCLOSURE TYPE 4X, 7, 9
 CE 0539 ATEX APPROVED
 II 2 G/D EEx d IIC T6
 -40°C ≤ Tamb. ≤ +71°C
 IP66

CE COMPLIANT TO
 APPLICABLE DIRECTIVE(S)

I & M SHEET IMP120



**COVER REMOVED
 IN FRONT VIEW**

CHART "A"	
126-164	8 3/8 [205.6mm] 1/4
S126B-S164B	8 1/4 [215.9mm] 1/4
MODEL NO	DIM "A" NPT

CHART "B"		
164 S164B	0 to 200	0 to 13.8
156 S156B	0 to 100	0 to 6.9
146 S146B	0 to 30	0 to 2.1
144 S144B	0 to 20	0 to 1379.0 mbar
134 S134B	30" Hg Vac TD 20 psi	-1.0 bar to 1379.0 mbar
126 S126B	30" Hg Vac TD 0 psi	-1.0 to 0
MODEL NO.	ADJUSTABLE RANGE	bar
	LOW END OF RANGE ON FALL	
	HIGH END OF RANGE ON RISE	

SYM	DESCRIPTION	DATE	DWN	APPD
S	UPDATED ENCLOSURE. ECN#E4345.	2-17-12	RCI	SJM
R	REPLACED CENELEC APPROVAL WITH ATEX APPROVAL. ECN#E0368	6-17-03	S.R.	LK
P	CHANGED kPa TO bar. ECN#E0053	10/7/02	AB	HN
N	ADDED CENELEC & CE APPROVALS. ECN#E0009	8-27-02	S.R.	LK
M	UPDATED ENCLOSURE & COVER. ECN#C9734	3-26-02	S.R.	LK
L	REDESIGNED PER REDESIGN. ECN#C5390	3-13-96	S.R.	JJM

REVISIONS	DATE	DWN	APPD
DO NOT SCALE THIS DRAWING			

ORIGINAL DATE	TITLE	SCALE
7-29-86	H122 126-164 S126B-S164B	1:2
DRWN PETER WEILLER CHKD N.MOCKAY JR. APPD A.MINASSIAN	UNITED ELECTRIC CONTROLS COMPANY WATERTOWN * MASSACHUSETTS	DWG NO A-12149