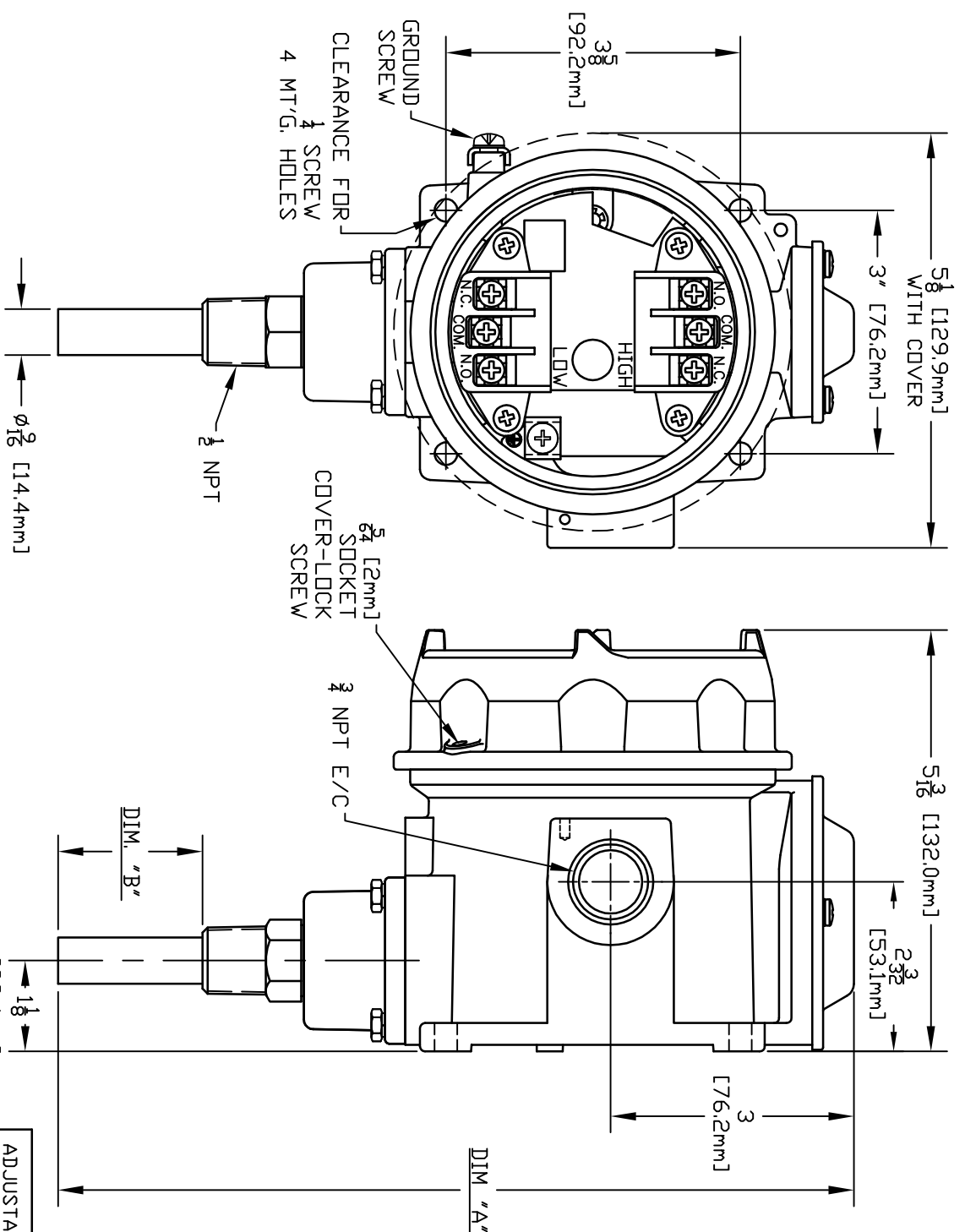


A-12144



**COVER REMOVED
IN FRONT VIEW**

SYM	DESCRIPTION	DATE	DWN	APPD
U	UPDATED ENCLOSURE. ECN#E4345.	2-17-12	RCI	SJM
T	REPLACED CENELEC APPROVAL WITH ATEX APPROVAL. ECN#E0368	6-16-03	S.R.	LK
S	ADDED CENELEC & CE APPROVALS. ECN#E0009	8-27-02	S.R.	LK
R	UPDATED ENCLOSURE & COVER. ECN#C9734	3-26-02	S.R.	LK
P	REDRAWN PER REDESIGN. ECN#C5987	11-14-96	SR	JJM

ORIGINAL DATE	7-29-86
DRWN	PETER WEILER
CHKD	N.MOCKAY JR.
APPD	A.MINASSIAN

TITLE	120 & 121
MODEL NO.	121
ADJUSTABLE RANGE	0 TO 225
DIM "A"	10 [254.0mm]
DIM "B"	1 1/8 [49.3mm]

REV.	DATE	BY	DESCRIPTION
1			

UNITED ELECTRIC
CONTROLS COMPANY
WATERTOWN * MASSACHUSETTS

B122
120 & 121

SCALE 1:2

DO NOT SCALE THIS DRAWING

REVISIONS

DF001
REV. C

A-12144

APPROVALS:
CLASS LISTED
CLASS I, DIVISIONS 1 & 2,
GROUPS B, C & D
CLASS II, DIVISIONS 1 & 2,
GROUPS E, F & G
CLASS III
-50°C ≤ Tamb, ≤ +71°C
CLASS I, ZONE 1, GROUP IIB + H₂ T6
ENCLOSURE TYPE 4X, 7, 9
CE 0539 ATEX APPROVED
II 2 G/D EX d IIC T6
-40°C ≤ Tamb, ≤ +71°C
IP66
CE COMPLIANT TO
APPLICABLE DIRECTIVES)
I & M SHEET IMT120