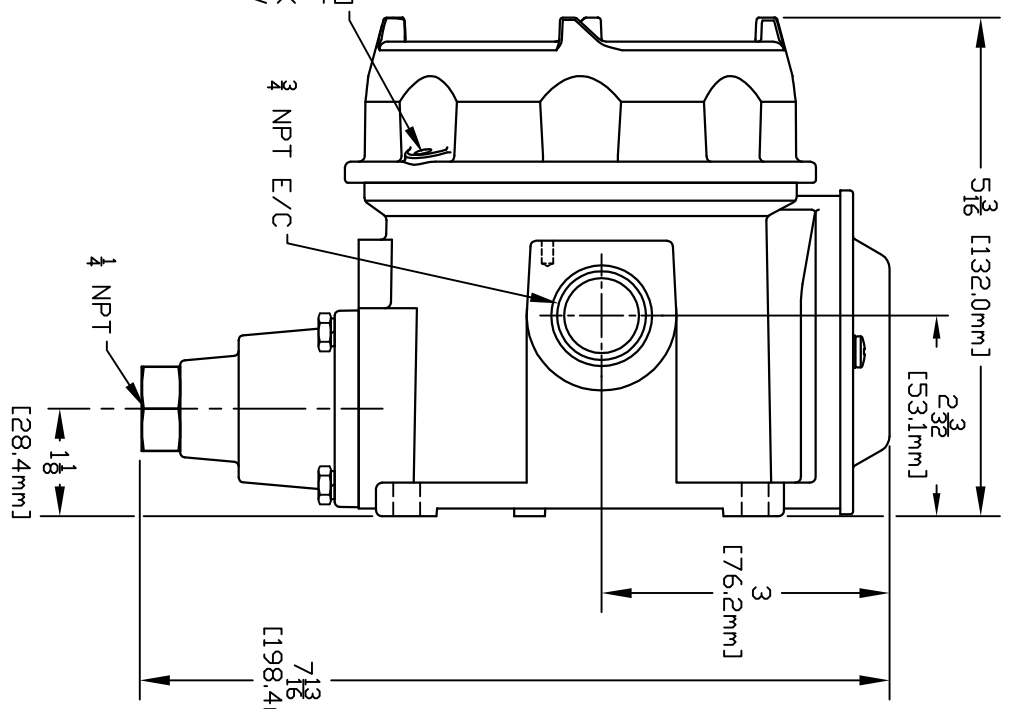


**COVER REMOVED
IN FRONT VIEW**



APPROVALS:
 CULUS LISTED
 CLASS I, DIVISIONS 1 & 2,
 GROUPS B, C & D
 CLASS II, DIVISIONS 1 & 2,
 GROUPS E, F & G
 CLASS III
 -50°C ≤ Tamb. ≤ +71°C
 CLASS I, ZONE 1, GROUP IIB + H₂ T6
 ENCLOSURE TYPE 4X, 7, 9

CE 0539 ATEX APPROVED
 II 2 G/D EEx d IIC T6
 -40°C ≤ Tamb. ≤ +71°C
 IP66

CE COMPLIANT TO
 APPLICABLE DIRECTIVE(S)

I & M SHEET IMP120

376	0 to 500	0 to 34.5
361	0 to 300	0 to 20.7
358	0 to 200	0 to 13.8
MODEL	psi	bar
NO.	ADJUSTABLE RANGE	
	LOW END OF RANGE ON FALL	HIGH END OF RANGE ON RISE

SYM	DESCRIPTION	DATE	DWN	APPD
N	UPDATED ENCLOSURE. ECN#E4345.	2-17-12	RCI	SJM
M	REPLACED CENELEC APPROVAL WITH ATEX APPROVAL. ECN#E0368	6-17-03	S.R.	LK
L	CHANGED kPa TO bar ECN#E0053	10/7/02	AB	HN
K	ADDED CENELEC & CE APPROVALS. ECN#E0009	8-27-02	S.R.	LK
J	UPDATED ENCLOSURE & COVER. ECN#C9734	2/27/02	S.R.	LK
H	REDRAWN PER REDESIGN. ECN#G6025	11-21-96	S.R.	JJM

ORIGINAL DATE 7-29-86
 DRWN PETER WEILLER
 CHKD N.MOCKAY JR.
 APPD A. MINASSIAN
 UNLESS OTHERWISE SPECIFIED
 DIMENSIONS ARE IN INCHES

TITLE
 H121-
 358, 361
 & 376

DF001
 REV. C
 UNITED ELECTRIC
 CONTROLS COMPANY
 WATERTOWN * MASSACHUSETTS

DWG NO
 A-12125

DO NOT SCALE THIS DRAWING
 SCALE 1:2