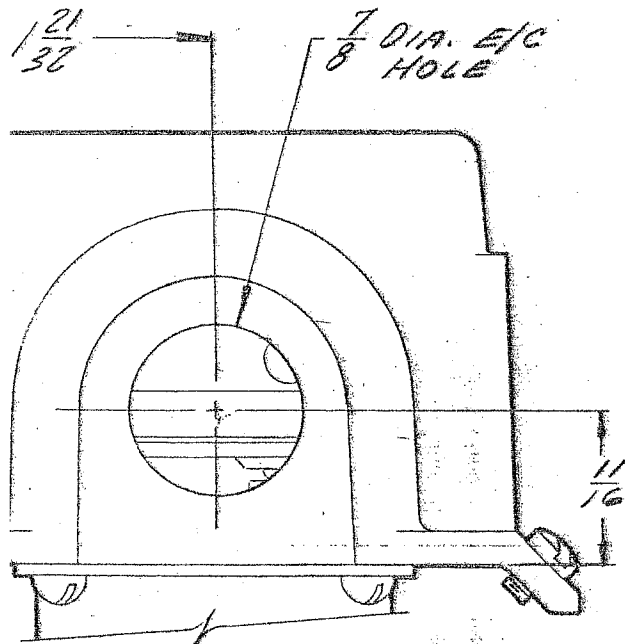


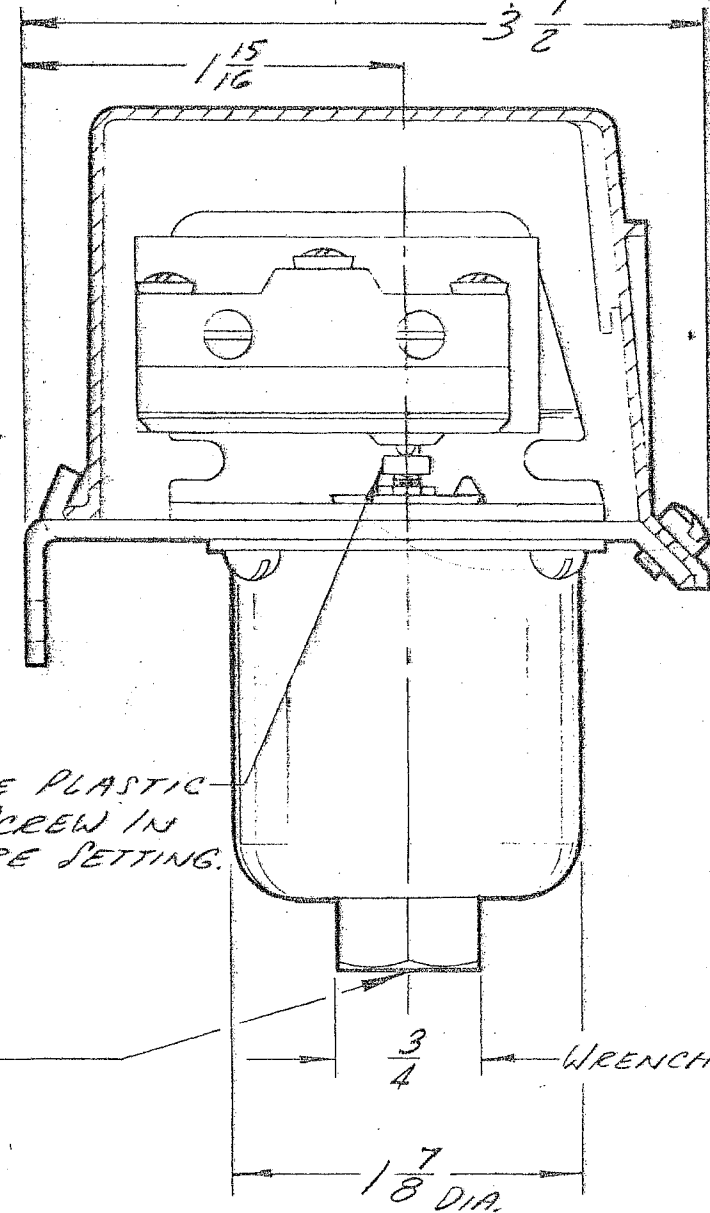
#6-32 TERMINAL SCREWS (3)

TOP VIEW SHOWN WITHOUT COVER



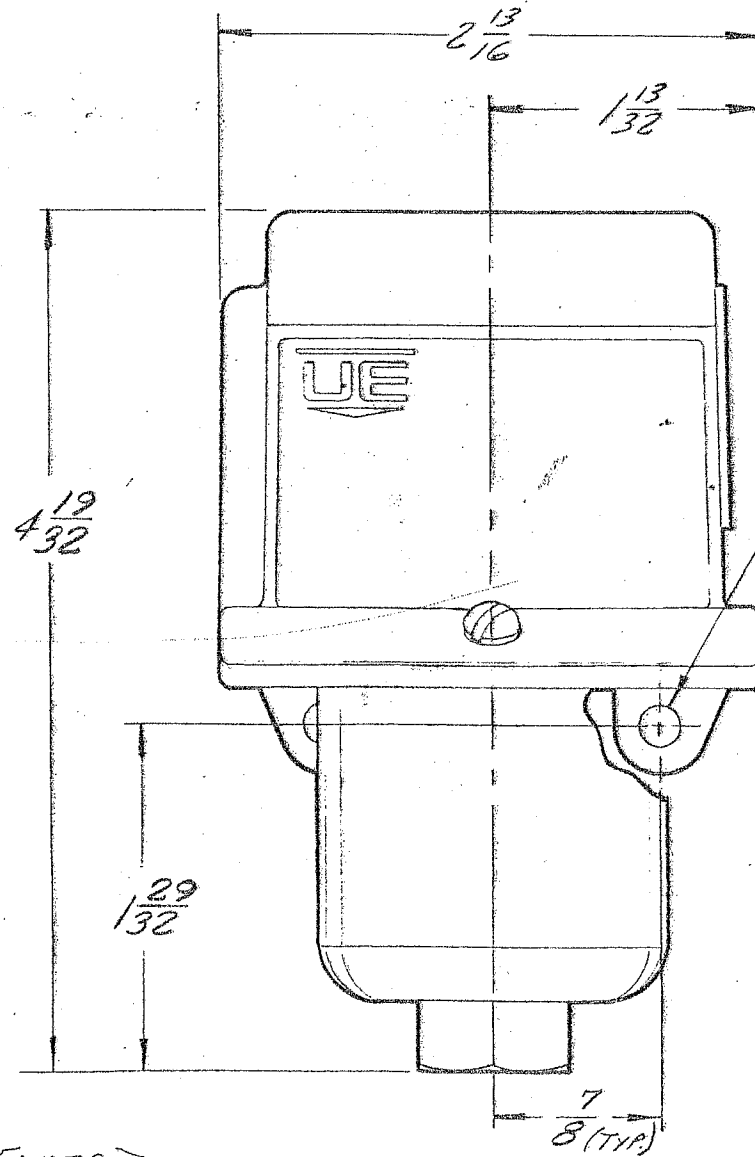
PARTIAL LEFT SIDE VIEW TO SHOW E/C LOCATION

ADJUSTMENT: REMOVE PLASTIC COVER & TURN ADJ. SCREW IN FOR HIGHER PRESSURE SETTING.



1/4 NPT

WRENCH FLATS



CL. FOR #10 SCREW 2 HOLES FOR WALL M'T'G.

DO NOT SCALE DRAWING

TOLERANCES

UNLESS OTHERWISE SPECIFIED  
FRACTIONS = 1/32 ANGLE = 3°  
DECIMALS = .01

L	ADDED GROUND SCREW AND WASHER ON 'M' DWG. ECN# 4520	3-3	
K	REV. SWITCH & BELLOWS MOUNTING SCREWS ON 'M' DWG & PL. ECN# 2728	5-3	
U	SWITCH WAS 6259-530 ON PL. 'M' DWG. ECN# 6842	1-24	
H	EFFECT. 1-9-86; 6259-530 WAS 6259-494. ECN# 4520-99	1-8	86

G	ITEM 3 WAS 6259-218 ECN 1376	1-20	
F	ITEM 4 (0171-06088) WAS 9171-06081 ECN# 3309	5-30	
E	ITEM 4 (0171-06081) PL. & 'M' DWG. WAS 6248-21 ECN# 3776	2-25	
D	REV. BELLOWS M'T'G. SC. ECN# 2188	5-25	
C	REV. N. PLATE ADDED U.L. DECAL. ECN# 2187	5-23	
B	DELETED MOD. 148 ECN 2124	1-18	
A	FIRST ISSUE	8-12	

NO	NAME	MATERIAL	NO	REQ
<b>UNITED ELECTRIC CONTROLS CO.</b>				
WATERTOWN MASSACHUSETTS				
REFERENCE				
TYPE J54 (PRESSURE)				
MODELS 137-164				
DATE	SCALE	OWN	CHK.	APPD.
8-12-71	1-1	P.W.		
				DRAWING NUMBER
				A-11965