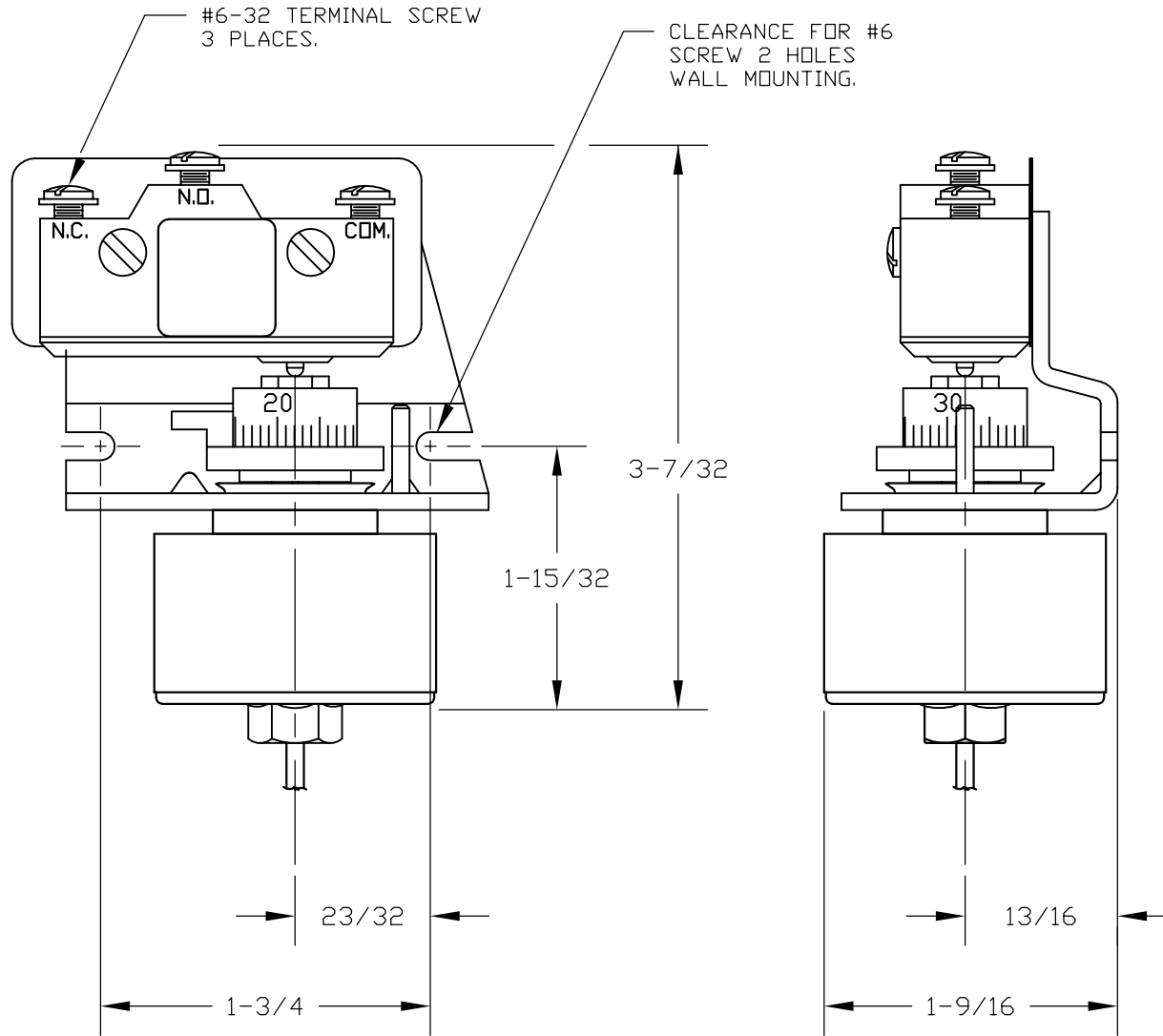


**IMPORTANT NOTES:**

QUALITY CONTROL MUST INSPECT THE OPERATION OF CONTROLS AT THE LOW END OF THE RANGE FOR EACH BATCH MANUFACTURED, BESIDES THE STANDARD INSPECTION PERFORMED.




THIS DOCUMENT IS PROPRIETARY PROPERTY OF UNITED ELECTRIC CONTROLS. UNAUTHORIZED USE IS STRICTLY PROHIBITED.

SYM	DESCRIPTION	DATE	DWN	APPD
R	REDRAWN, REVISED VIEW OF THERMAL ASSY. ECN#E3436	1-6-10	SR	RAM
REVISIONS				

ORIGINAL DATE	4-5-71
DRWN	A.EBALO
CHKD	PETER WEILER
APPD	A.MINASSIAN
UNLESS OTHERWISE SPECIFIED DIMENSIONS ARE IN INCHES TOLERANCES ON FRACTIONS ±1/64	
2 PLACE DEC 3 PLACE DEC ANGLES ±0.010 ±0.005 ±1/2°	
DO NOT SCALE THIS DRAWING	

TITLE	E54S-D20
	-D21
	-D22
	-D23
SCALE	FULL

DF001D

UNITED ELECTRIC CONTROLS COMPANY WATERTOWN * MASSACHUSETTS
DWG NO A-10915