











**UE** UNITED ELECTRIC CONTROLS  
180 Dexter Ave., P.O. Box 9143  
Watertown, MA 02471-9143  
Phone: 617.926.1000  
Fax: 617.926.2568

# QUICK START INSTRUCTIONS

- I. Press the left and right buttons (both)   simultaneously.
- II. Press the right button  to select the switch mode, set point and/or deadband.
- III. Press the left button  to make the desired changes to each.
- IV. Press both buttons  , then the right , then the left , then both   to save changes.

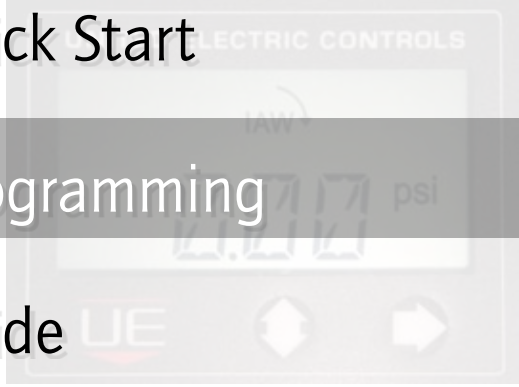


**Q**  
**P**  
**G**

uick Start

rogramming

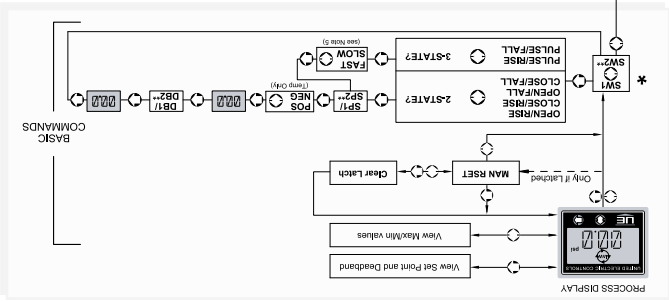
uide



# PROGRAMMING FLOWCHART



## PROGRAMMING FLOWCHART



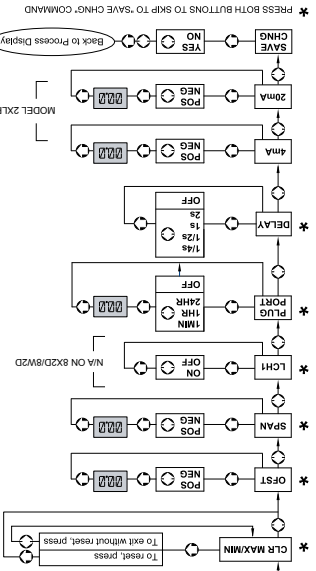
BASIC COMMANDS

ADVANCED COMMANDS

**Programming Instructions and Notes:**

1. Read the appropriate sections of the **ISM** for more information on the commands.
2. In numerical fields **000** use the **0** button to increment the blinking digit, then the **0** button to move on.
3. If the numerical value entered results in a reading outside the operating range of the switch, the display will read "ERR". Press **0** button to re-enter a new value inside the range boundaries.
4. \* Programming shortcut: Pressing both buttons simultaneously will bypass the rest of the program and take you to the "SAVE CHNG" command.
5. Pulse rates vary by model.

Fast=	25 mS	200 mS	N/A
	2XLP	4X3A	8X2D
	2X2D	2X3A	
Slow=	100 mS	500 mS	N/A



MODEL 2XLP/2WLP AND 8X2D/8W2D ONLY

\* PRESS BOTH BUTTONS TO SKIP TO "SAVE CHNG" COMMAND \*\*8X2D/8W2D